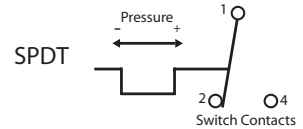


The FF444 Industrial Pressure Controls are general purpose switches suitable for oil, water and air at pressures up to 465 psig.

## Typical Applications

- Industrial Pressure Control
- Pneumatic and Hydraulic Systems
- Oil Lubrication Systems
- Pump/Compressor Control



## Features

- SPDT snap-action contacts
- Independent adjustable upper and lower switching pressures
- Diaphragm-type control for low pressure applications (Buna N diaphragm):
  - resistant to mineral oils
  - medium temperatures up to 160°F
- Transparent polyamide hood – U.V. resistant
- Surface mounted Type 4 enclosure
- Optional manual reset locking on pressure rise

## Specifications

- Control circuit rating: 5 A (B300)
- Rated voltage: 300 VAC maximum
- Ambient operating temperature: -10°F to +120°F
- Medium temp. at pressure element: + 160°FMax.
- Resistance to vibration: (4 Hz to 1000 Hz) 4g
- Weight: 1.1 lbs.
- UL/CUL file number: E85974

## Options

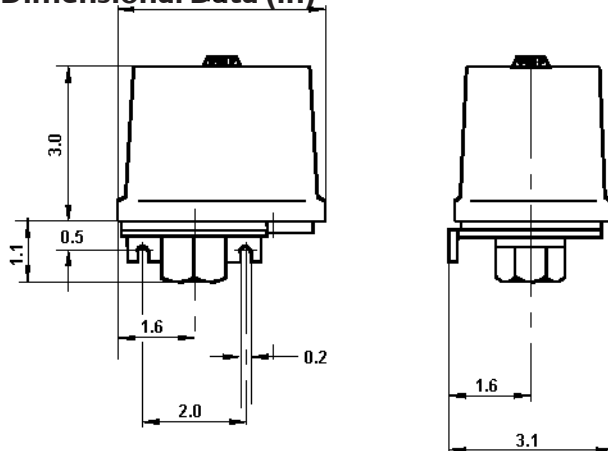
- Optional manual reset locking on pressure rise

Description	120VAC	240VAC
Maximum motor rating single phase	1/2 hp	1 -1/2 hp
Motor rated, FLA	10 A	10 A
Motor rated, LRA	60 A	60 A

## Nomenclature example: FF444-V2-DRF

FF444	V2				D	R	F
Industrial Pressure Control	Lower Switch Point Range	Upper Switch Point Range	Smallest Differential @ Lower-Higher end of Range	Standard Settings	Valve Design D = Diaphragm	Reset Type A = Auto R = Manual, Locking on Pressure Rise	Pressure Connection A = 7/16"-20 UNF male F = 1/4"-18 NPTF
V4	6-217 psig 0.4-15 bar	15-232 psig 1-16 bar	9-14 psig 0.6-1 bar	58/174 psig 4/12 bar			
V5	12-435 psig 0.8-30 bar	29-464 psig 2-32 bar	17-29 psig 1.2-2 bar	145/290 psig 10/20 bar			

## Dimensional Data (in)



## Ordering Information

PCN	Description
097311	FF444-V4-DAF
097379	FF444-V4-DRF