

Emerson Multi-Compressor Pack



Product catalogue

Copeland[™]
brand products


EMERSON[™]

Emerson Multi-Compressor Pack

With our strong investments in research and development combined with technically superior products from our industry leading brands such as Copeland™, we have turned experience and expertise to design a wide-range of multiple compressor rack solutions. The Emerson Multi-Compressor Pack (EMP) series is designed with the proven Copeland Stream semi-hermetic compressors. The range is available from 50-200HP with a combination of 2, 3 or 4 compressors in a rack.

These racks are qualified to work with R404A, R407F, R407A/C, R134a, R22, R448A and R449A refrigerants.

This catalogue presents information for medium temperature (MT) and low temperature (LT) applications using R404A. For applications using other refrigerants, please contact your Emerson representative.

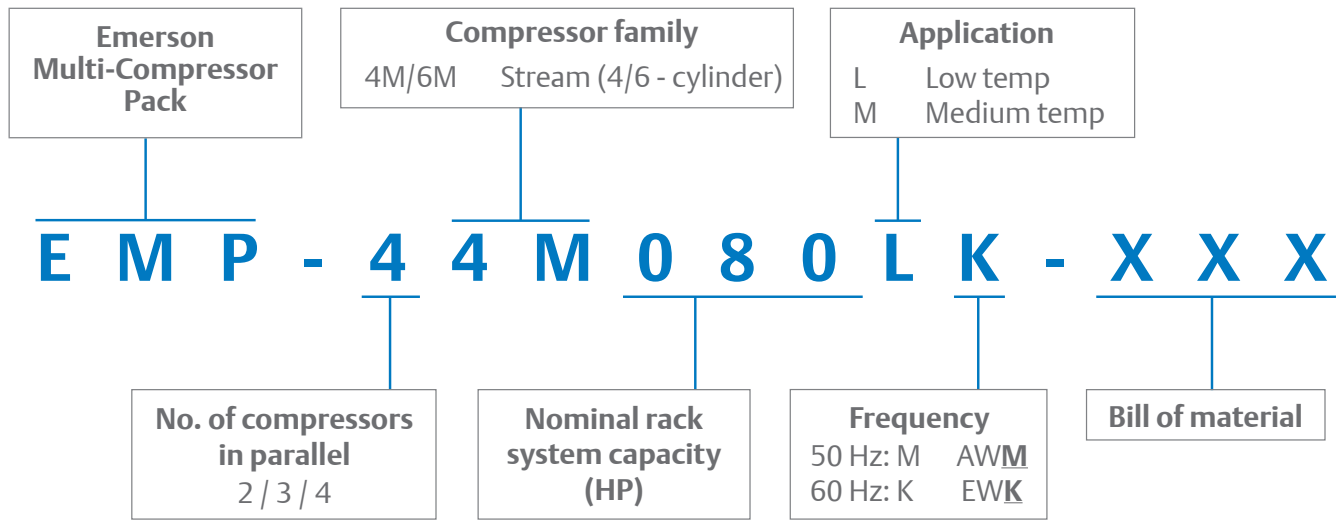


Table of contents

Features and benefits	3
Nomenclature	4
Bill of material	4
Best in class features	5 - 12
Stream semi-hermetic compressor	5
iProRack controller	10
Emerson electronic oil management system	11
Layout	13
Product line up - technical data	15 -18
Operating envelopes	19
Schematic diagram	20-22
Dimensional drawings	23
Other supplementary references	23
Contact lists	25

Features	Benefits
Stream semi-hermetic compressor with CoreSense™ Diagnostics	<ul style="list-style-type: none"> • Stream’s unique valve technology makes it 10% more efficient than any other compressor and therefore helps reduce the carbon footprint and running cost of any installation. • Stream is a multi refrigerant compressor. One model suits all applications without any compromise on performance. • Digital technology of operation with inverter makes Stream the most flexible choice for continuous capacity modulation. • Sound shell technology makes Stream the quietest compressor in the market for sound critical applications. • CoreSense Diagnostics offers advanced protection and diagnostics benefits for excellent system reliability, reduced service costs and increased equipment uptime.
iProRack controller	<ul style="list-style-type: none"> • Optimized algorithms for efficient compressor rack control. • Flexible and easy to configure. • Large and easy to read display.
Electrical panel	<ul style="list-style-type: none"> • Circuit breakers, thermal overload protection for each individual compressor, phase failure, and voltage protection for reliable operation.
Emerson electronic oil management system	<ul style="list-style-type: none"> • Active oil management with Emerson branded oil separator, oil receiver, oil filter, oil pressure switch, and electronic oil level regulator ensures oil is effectively circulated in the system and returned to each compressor.
Emerson line components	<ul style="list-style-type: none"> • Emerson branded line components for efficiency, reliability and serviceability.
Spring mounted frame	<ul style="list-style-type: none"> • Robust & sturdy spring mounted frame reduces noise and vibration. • Rack layout facilitates serviceability.
Optional liquid station	<ul style="list-style-type: none"> • Allows flexibility when installing liquid receiver either side by side to the rack or close to the condenser or evaporators.

Nomenclature



Bill of material

EMP bill of material								
7		0		0			A	
7	Rack with electrical panel	0	Standard	0	Part winding start	50 Hz	(Blank)	Digital fan control
6	Rack w/o electrical panel	2	Digital		Direct online start	60 Hz	A	Analogue fan control
		4	VFD	1	Part winding start	50 Hz		
					Start unloader			
				2	Part winding start	50 Hz		
					Direct online start	60 Hz		
					Capacity unloader	50 & 60 Hz		
				3	Part winding start	50 Hz		
					Start unloader			
					Capacity unloader			

Rack with panel	50 Hz	50 Hz	50 Hz	50 Hz		
	60 Hz		700		701	702
	700		701		702	703
Standard	✓	✓	✓	✓		
Start unloader		✓		✓		
Capacity unloader			✓	✓		

Digital	720	721	722	723
---------	-----	-----	-----	-----

VFD	740	741	742	743
-----	-----	-----	-----	-----

Rack without panel	50 Hz	50 Hz	50 Hz	50 Hz		
	60 Hz		600		601	602
	600		601		602	603
Standard	✓	✓	✓	✓		
Start unloader		✓		✓		
Capacity unloader			✓	✓		

Digital	620	621	622	623
---------	-----	-----	-----	-----

VFD	640	641	642	643
-----	-----	-----	-----	-----

Item	Standard features
1	Copeland Stream compressor
2	Adequately sized stainless steel/copper suction header
3	Suction and discharge service valves
4	Multiple suction stubs fitted with ball valves
5	Suction filters (with replaceable core and ball valve for isolation)
6	Crankcase heater
7	Discharge header
8	Vibration eliminators
9	Oil management system: <ul style="list-style-type: none"> • Oil level regulator with sight glasses • Oil receiver and oil separator • Oil level sight glasses and filters • Oil pressure switch
10	High pressure/low pressure adjustable switches

Item	Standard features
11	Adequately sized and ventilated electrical panel
12	Circuit breakers and thermal overload protection (for Individual compressors)
13	Circuit breaker and thermal overload protection (for condenser fan - max 4 stages)
14	Electronic controller (Dixell™ iProRack controller) - with display alarms, I/O relays for safety and communication
15	Complete wiring for compressor rack control and management
16	50 Hz: AWM (380 - 420V/3ph) - part wind start
17	60 Hz: EWK (380 - 420V/3ph) - direct online start
18	Step capacity control kit for MT racks (R404A) (optional)
19	Liquid station (optional): <ul style="list-style-type: none"> • Inlet and outlet isolating valve • Replaceable core filter • Moisture indicator • Pressure relief valve • Low liquid level alarm switch

Best in class features

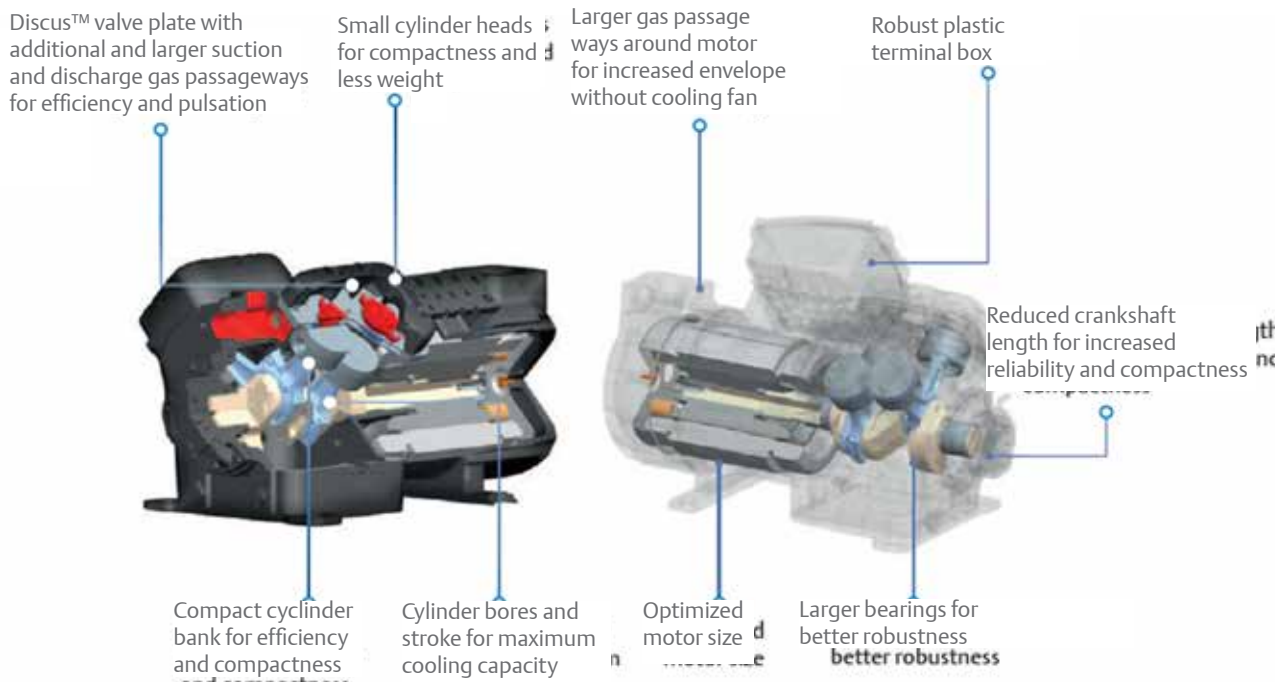
Stream semi-hermetic compressor Stream technology and its 5 key benefits

-  **Diagnostics**
 CoreSense™ Diagnostics technology helps your refrigeration equipment last longer. This technology offers advanced compressor protection, diagnostics, communication and power consumption measurement.
-  **Efficiency**
 Its unique valve technology makes Stream 10% more efficient than any other compressor and therefore helps you reduce the carbon footprint and running cost of your installation.
-  **Multi refrigerant**
 Its unique valve technology makes Stream a multi refrigerant compressor. One model suits all applications without any compromise on performance.
-  **Modulation**
 Digital technology or operation with inverter makes Stream the most flexible choice for continuous capacity modulation.
-  **Low sound**
 Sound shell technology makes Stream the quietest compressor in the market for sound critical applications.



Our Stream range provides best in class performance for today's commonly used HFCs and uprising low GWP refrigerants. This results in significantly smaller cost of operation and reduced environmental impact compared to competing products.

Inside view of Stream compressor



Discus™ valve technology

Thanks to the unique Discus valve technology, significant savings can be made using Stream compressors. It is the key difference between Stream and conventional reciprocating technologies available on the market. The valve technology is at the heart of the efficiency advantage of Stream.

The unique valve technology allows gas to flow into the cylinders with minimum heat gain while suction cavities are designed to smoothly route the gas to minimize losses. This leads to a superior capacity and efficiency of the compressor compared to conventional reed type compressors, giving customers much more efficiency and significant savings.

The Discus technology takes its name from the conical discharge valve. When closed, the valve remains flush with the valve plate reducing the clearance volume to an absolute minimum when the piston is at the top of the cylinder as shown in Figure 1. With a conventional machine, the reed suction valve prevents the piston coming close to the top of the cylinder causing additional “dead volume” in the discharge ports of the valve plate.

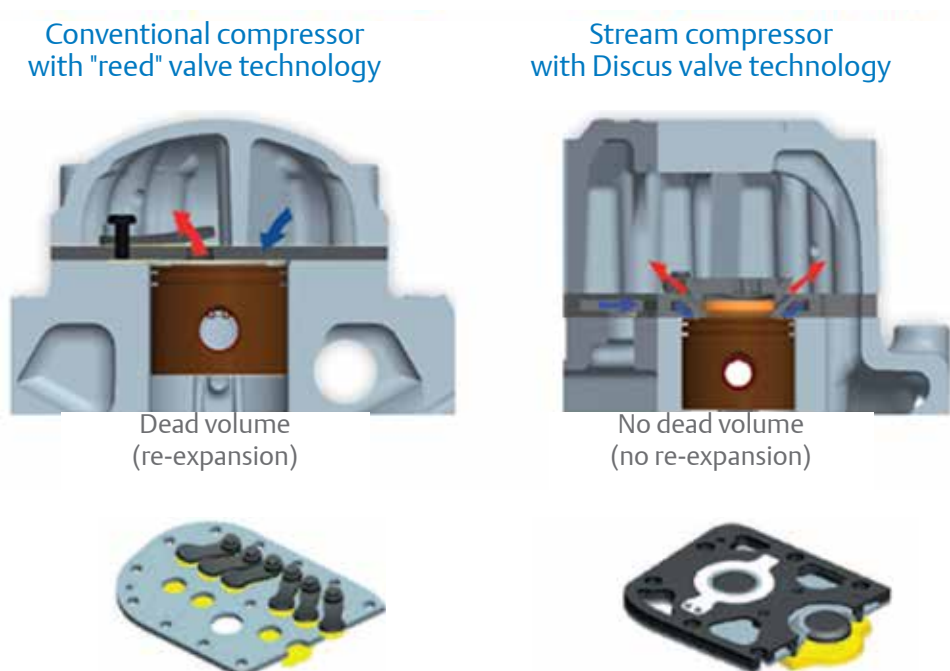


Figure 1. Key difference between conventional reed and Discus valve technology

CoreSense™ Diagnostics

All Stream models feature CoreSense Diagnostics offering advanced protection and diagnostics benefits for excellent system reliability, reduced service costs and increased equipment uptime. With CoreSense technology, service engineers can now diagnose system-related problems faster or even before they occur to keep the refrigeration system in optimum condition over its entire lifetime.



Coresense Diagnostic module

Intelligent CoreSense Diagnostics add value to your system

Advanced motor protection

Using proprietary algorithms, CoreSense goes beyond conventional basic motor protection. It protects the compressor from severe damage-causing failures like locked rotor, single phasing and voltage imbalances. Furthermore, CoreSense provides discharge temperature protection.

CoreSense not only protects the compressor from these critical failures but also displays, stores and communicates this information to the customer and to responsible service technicians, so that the problem can be quickly diagnosed to avoid system downtime and food loss.

Diagnostics

The diagnostics feature of CoreSense provides the compressor alarm history and running status information. EEPROM memory in the CoreSense module stores the complete failure history including asset information of the compressor (serial number and model number of the compressor). The customer can access the information directly on site using the rack controller display or CoreSense PC interface software. This software is either installed on the service laptop or on a remote computer with access via Modbus communication.

Communication

Figure 2 shows an example of CoreSense communication with Dixell™ iProRack. The communication feature of the CoreSense module provides access to information such as alarm history, operating parameters and the running status for a rack controller with open Modbus protocol.

It enables remote reset capability and remote monitoring of the compressor information with no requirement of actually visiting the site. An easy-to-access and user-friendly Dixell web server interface for rack controller, Dixell iProRack, allows customers to read the CoreSense information remotely with a graphical interface.

In addition, we offer a PC interface software for a direct service laptop connection to the CoreSense module. This enables access to CoreSense module information directly on site such as compressor operating information and alarm history.

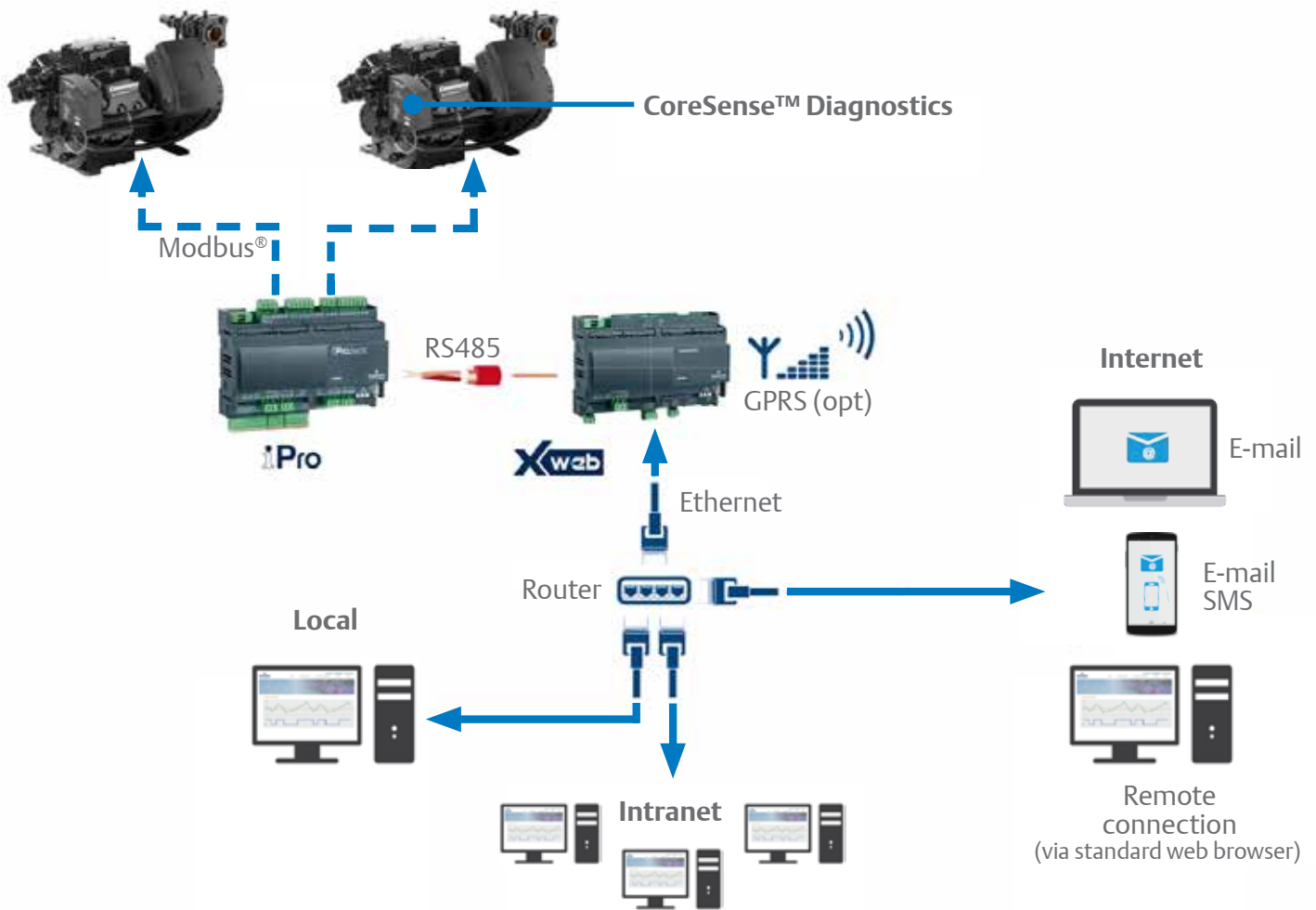
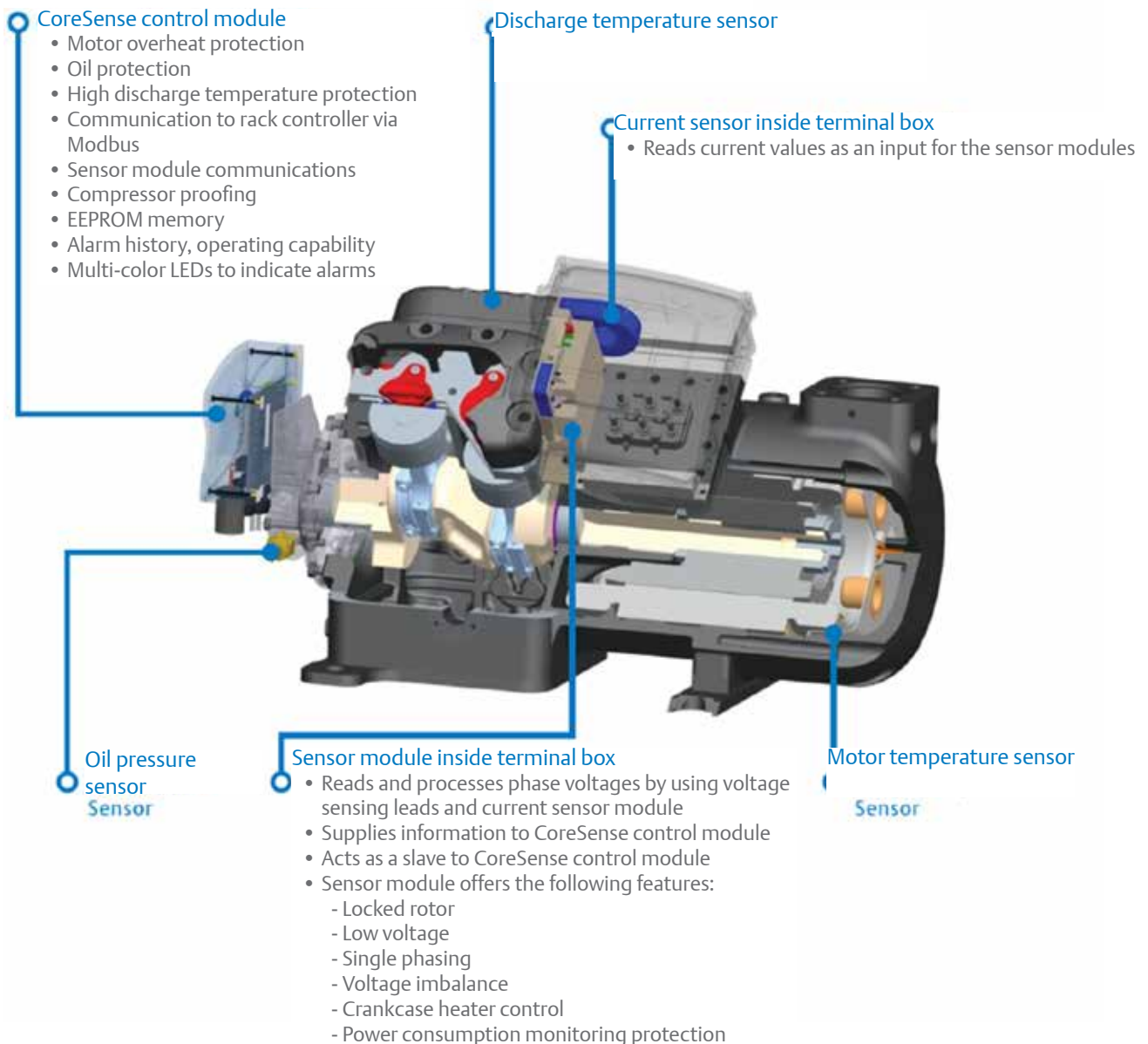


Figure 2.

The alarm history is stored in different ways:

- 8-day history of alarms showing the number of occurrences per day
- The most recent 10 alarms
- Accumulated number of failures since the compressor was first put into operation
 - Compressor running status information
 - Number of compressor running hours, alignment starts, resets and type of resets
 - Number of compressor running hours without sufficient oil pressure

CoreSense™ architecture



CoreSense Diagnostics features

- Basic protection - Against motor overheat and insufficient oil protection
- Advanced motor protection - Against single phasing, locked rotor, voltage imbalance and protection of discharge temperature and low-voltage
- Diagnostics - Alarm history, compressor operating history, compressor running status information
- Communication - From the CoreSense to a rack controller using open Modbus® protocol
- Advanced features - Power consumption measurement (voltage, current; power factor measurement), remote reset capability, crankcase heater control

What it means to you

- Improved compressor reliability and performance
- Easy preventive maintenance using the diagnostics features
- Avoidance of refrigeration system downtime and food loss
- Reduced applied system costs
 - Factory installed devices: Oil protection sensor and the discharge temperature sensor are installed and connections are already made in the factory
 - Crankcase heater control is intergrated in CoreSense
- Remote access to the compressor data, running status and possibility to reset alarms without visiting the installation site
- Multi-color LEDs on the module help to find any compressor issue quickly
- Power consumption monitoring of the compressor to analyze the energy costs of the compressor

iProRack controller

Emerson Multi-Compressor Packs are designed with Dixell™ iProRack controller. The iProRack is built on a highly sophisticated and stable platform with LINUX operating system on a CPU ARM9 (200MHz/32bit). The software is created on a well-structured and documented development system. This provides guaranteed controller support throughout the equipment life time. In addition, the platform can be expanded. It can control up to two circuits with a maximum of six compressors per circuit. It can drive one lead compressor per circuit with either inverter or Copeland™ digital modulation. iProRack provides benefits to end users and contractors that are simply unmatched by any multiple controller platform in the market today.

The iProRack controller is also designed with multiple proprietary algorithms which provides best running cost. It is featured with dynamic set point control, which allows the user to schedule target suction and discharge pressures based on time, external analog or digital set points. The controller is also capable of doing iterative optimization of target suction pressures when connected to Dixell cold room or case temperature controllers. This is a very powerful feature that helps in reducing running cost. One-degree centigrade change in set point can save between 2-5% of annual electricity cost.

The iProRack controller is interfaced with a Visograph, featuring a large LCD graphic display. This provides excellent interface on the machine room to view Stream compressor operation status, modulation, CoreSense™ Diagnostics messages, and other operating information.

Electrical panel

Emerson Multi-Compressor Packs are fitted with a fully featured electrical panel for ease of installation and reduced field cost. The panel uses high quality electrical switch gears and cable. It is designed for high reliability and safe operation.

Features of the electrical panel include:

- Flexible and easy to configure circuit breakers and thermal overload protectors for each individual compressor
- Phase failure & voltage protection
- Complete wiring for compressor rack control & management

See Figure 3.A and Figure 3.B for electrical panel layout.



Figure 3.A

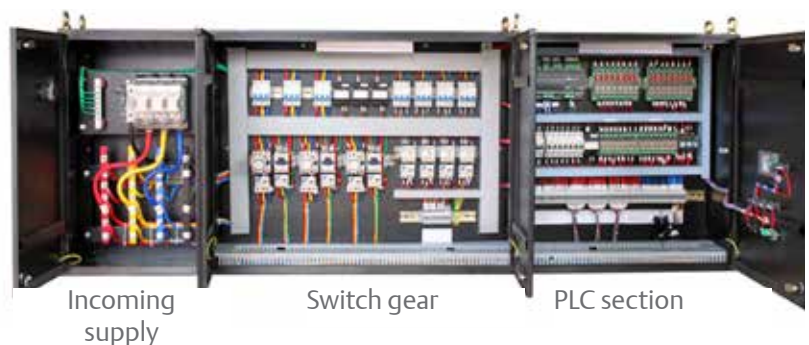


Figure 3.B

Connectivity with Stream CoreSense Diagnostics and Dixell X-Web

Refer to Figure 2 (page 8). iProRack controller communicates with the CoreSense Diagnostics module for maximum compressor protection against low oil pressure, excessive discharge temperature and motor over heat. iProRack has an integrated web site which can be easily accessed through a standard web browser. RS485 communication allows connectivity to the Dixell X-Web supervisory controller, providing an intelligent architecture to the refrigeration system.

Emerson electronic oil management system

The layout in Figure 4 shows a typical active electronic oil management system.

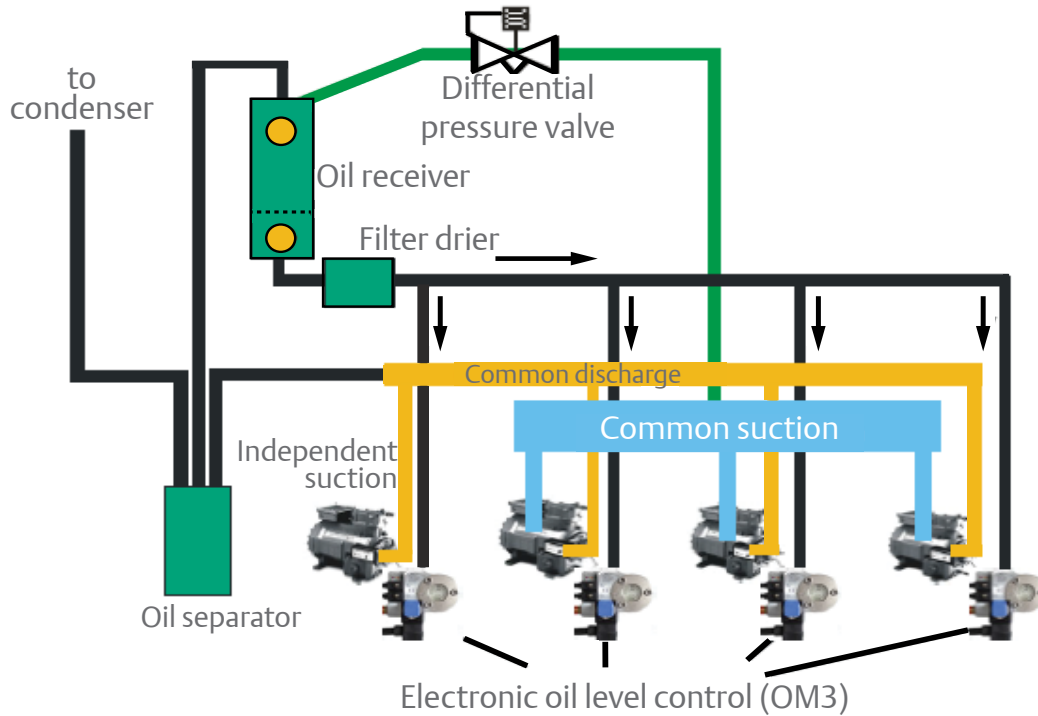


Figure 4.

Table 1.

Emerson electronic oil management system
Electronic oil level control (OM3)
Oil filter
Oil receiver
Oil separator
Oil sight glass

Table 2.

Emerson line components
Ball valves
Check valves (discharge line and oil separator)
High pressure/low pressure adjustable switches
HP transducer (Dixell™ PP/PPR series)
Liquid line ball valve
Liquid line filter drier (replaceable core type)
Liquid line sight glass
LP transducer (Dixell PP/PPR series)
Pressure relief valve (on receiver)
Suction line filter drier (replaceable core type)

Oil management is an important parameter for any rack. As two or more compressors are operated in parallel, it is of primary importance that oil is circulated into the system, returned back to the compressors, and is equalized properly. If oil does not return properly to each compressor, and is not equalized well, compressors will start to fail.

Table 1 shows the Emerson electronic oil management system components used on the Emerson Multi-Compressor Pack.

Emerson line components

Table 2 shows the list of line components used in the Emerson Multi-Compressor Pack.

Optimized and insulated suction header

The suction headers are designed for the lowest pressure loss at the same time sufficiently return oil back to the compressor. The headers are designed with maximum of 4 return lines stubs coming from evaporator. The suction header is designed with high quality refrigerant grade copper piping.

High quality discharge header

The discharge headers are designed for field reliability to handle the start stop stresses and discharge pulsation. The discharge header is designed with high quality refrigerant grade copper piping.

Spring mounted frame

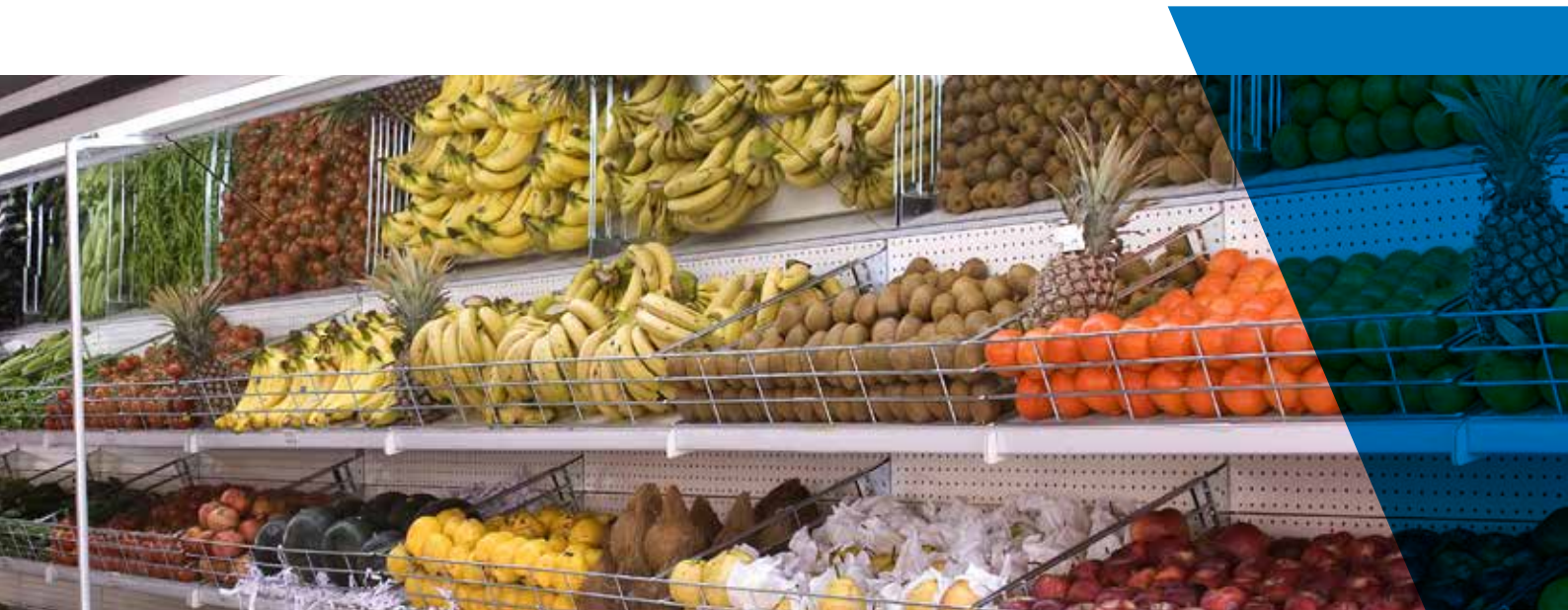
The frames are built with mild steel and painted for strength and rust prevention. The frame is supported by springs to absorb transmitted vibration to the mounting floor.

Optional liquid station

The optional liquid station consists of:

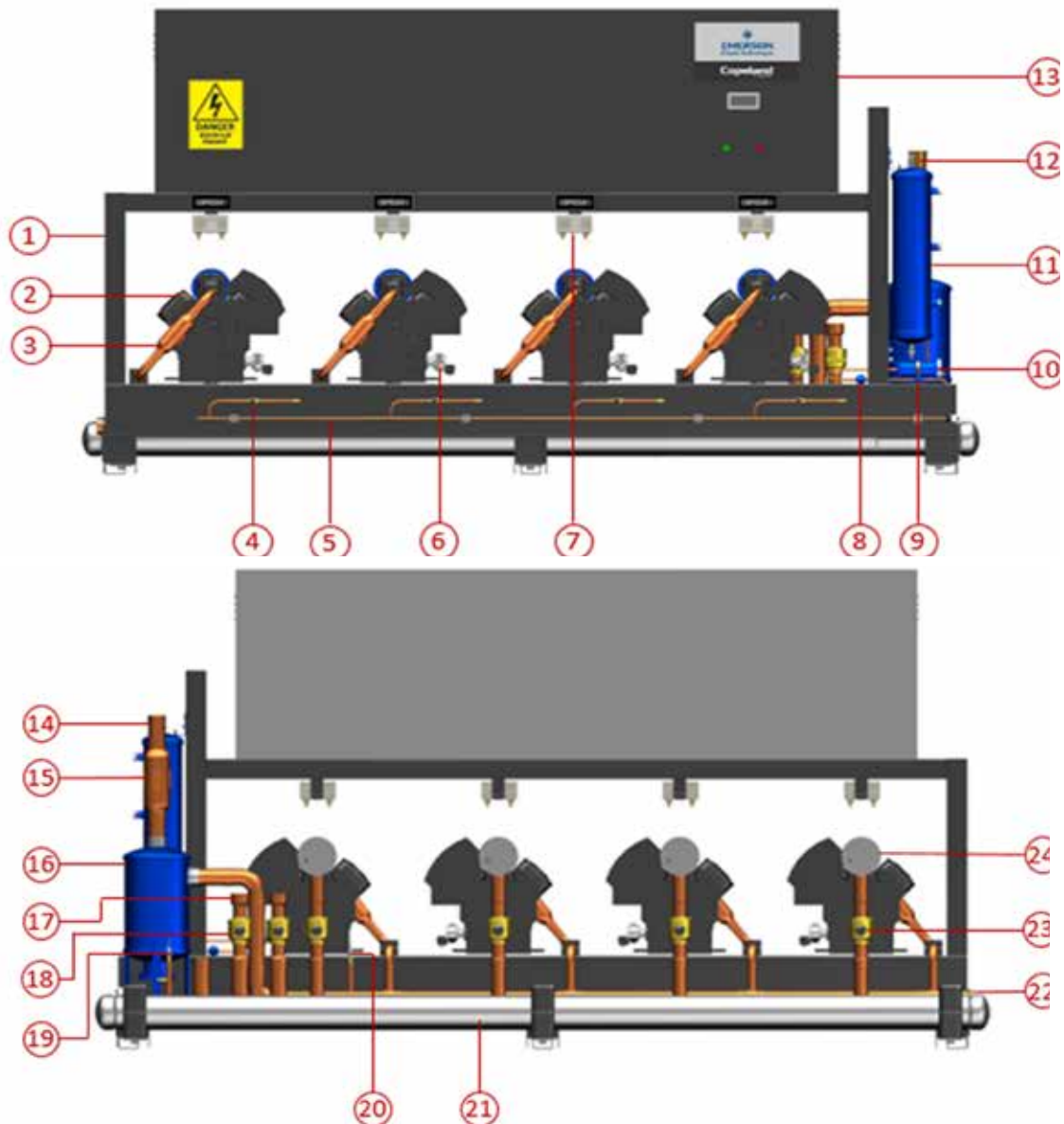
- Liquid receiver with inlet and Rotalock valve outlet and built-in sight glass (2 or 3)
- Filter drier with replaceable core
- Moisture indicator
- Ball valve for isolation
- Low liquid level alarm switch
- Pressure relief valve

The separate liquid station allows for flexible installation of liquid receiver either side by side to the rack or close to the condenser or evaporators.



Layout

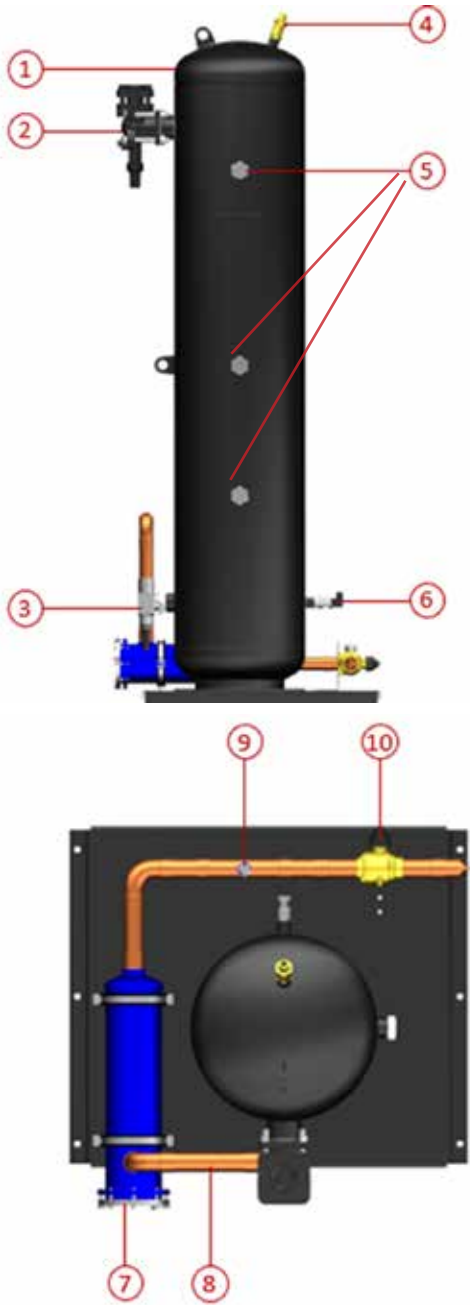
4 compressor rack



Item	Description	Item	Description
1	Base-frame	13	Control panel*
2	Stream compressor	14	Condenser inlet
3	Discharge lines with check valve	15	Check valve
4	Oil return line ball valve	16	Centrifugal oil separator
5	Oil return header	17	Suction inlet
6	Electronic oil level control (OM3)	18	Ball valve
7	Pressure control switch	19	LP transducer
8	Oil sight glass	20	HP transducer
9	Oil return line ball valve	21	Suction header
10	Oil filter	22	Discharge header
11	Oil receiver	23	Ball valve
12	Differential pressure valve	24	Suction filter

*Note: Units are also available without the control panel.

Optional liquid station



Item	Description
1	Receiver
2	Inlet valve
3	Outlet valve
4	Pressure relief valve
5	Receiver sight glasses
6	Liquid level switch
7	Filter drier
8	Liquid line
9	Liquid line sight glass
10	Ball valve

Depending on application requirement and rack capacity, liquid stations are available in different capacities as follows:

Liquid station Emerson part no.	Liquid receiver volume (liters)	Inlet Rotalock valve (ODS, in)	Outlet Rotalock valve (ODS, in)	Filter drier
577-0546-00	90	1-3/8	1-1/8	Two core
577-0546-01	130	1-5/8	1-3/8	Two core
577-0546-02	160	2-1/8	1-5/8	Three core
577-0546-03	225	2-1/8	1-5/8	Three core
577-0546-04	350	2-5/8	2-1/8	Three core
577-0546-05	350	2-5/8	2-1/8	Three core

Product line up - technical data

Mechanical specification

50 Hz

Medium temperature (MT)

Model name	Compressor model	No. of compressors	Capacity (kW)	Total displacement (m ³ /h)	Nominal unit weight (kg)	Liquid receiver volume (liters)	Receiver station part numbers
EMP-24M044MM-XXX	4MA-22X	2	64	123	1200	90	577-0546-00
EMP-34M066MM-XXX	4MA-22X	3	96	185	1400	130	577-0546-01
EMP-44M088MM-XXX	4MA-22X	4	128	247	1800	160	577-0546-02
EMP-24M050MM-XXX	4MH-25X	2	75	143	1200	130	577-0546-01
EMP-34M075MM-XXX	4MH-25X	3	113	214	1400	130	577-0546-01
EMP-44M100MM-XXX	4MH-25X	4	150	286	1800	160	577-0546-02
EMP-24M060MM-XXX	4MI-30X	2	84	156	1200	130	577-0546-01
EMP-34M090MM-XXX	4MI-30X	3	125	234	1400	160	577-0546-02
EMP-44M120MM-XXX	4MI-30X	4	167	312	1800	225	577-0546-03
EMP-24M066MM-XXX	4MJ-33X	2	93	175	1200	130	577-0546-01
EMP-34M099MM-XXX	4MJ-33X	3	140	263	1400	160	577-0546-02
EMP-44M132MM-XXX	4MJ-33X	4	186	350	1800	225	577-0546-03
EMP-24M070MM-XXX	4MK-35X	2	105	199	1200	130	577-0546-01
EMP-34M105MM-XXX	4MK-35X	3	157	299	1400	160	577-0546-02
EMP-44M140MM-XXX	4MK-35X	4	209	398	1800	350	577-0546-04
EMP-26M080MM-XXX	6MI-40X	2	126	241	1200	160	577-0546-02
EMP-36M120MM-XXX	6MI-40X	3	190	362	1400	225	577-0546-03
EMP-46M160MM-XXX	6MI-40X	4	253	482	1800	350	577-0546-04
EMP-26M090MM-XXX	6MJ-45X	2	142	270	1200	160	577-0546-02
EMP-36M135MM-XXX	6MJ-45X	3	212	405	1400	350	577-0546-04
EMP-46M180MM-XXX	6MJ-45X	4	283	540	1800	350	577-0546-05
EMP-26M100MM-XXX	6MK-50X	2	158	306	1200	160	577-0546-02
EMP-36M150MM-XXX	6MK-50X	3	237	459	1400	350	577-0546-04
EMP-46M200MM-XXX	6MK-50X	4	316	612	1800	350	577-0546-05

Low temperature (LT)

Model name	Compressor model	No. of compressors	Capacity (kW)	Total displacement (m ³ /h)	Nominal unit weight (kg)	Liquid receiver volume (liters)	Receiver station part numbers
EMP-24M030LM-XXX	4ML-15X	2	37	143	1200	90	577-0546-00
EMP-34M045LM-XXX	4ML-15X	3	55	214	1400	90	577-0546-00
EMP-44M060LM-XXX	4ML-15X	4	73	286	1800	130	577-0546-01
EMP-24M040LM-XXX	4MM-20X	2	41	156	1200	90	577-0546-00
EMP-34M060LM-XXX	4MM-20X	3	61	234	1400	90	577-0546-00
EMP-44M080LM-XXX	4MM-20X	4	82	312	1800	130	577-0546-01
EMP-24M044LM-XXX	4MT-22X	2	46	175	1200	90	577-0546-00
EMP-34M066LM-XXX	4MT-22X	3	69	263	1400	90	577-0546-00
EMP-44M088LM-XXX	4MT-22X	4	92	350	1800	130	577-0546-01
EMP-24M050LM-XXX	4MU-25X	2	50	199	1200	90	577-0546-00
EMP-34M075LM-XXX	4MU-25X	3	76	299	1400	130	577-0546-01
EMP-44M100LM-XXX	4MU-25X	4	101	398	1800	130	577-0546-01
EMP-26M060LM-XXX	6MM-30X	2	61	241	1200	90	577-0546-00
EMP-36M090LM-XXX	6MM-30X	3	92	362	1400	130	577-0546-01
EMP-46M120LM-XXX	6MM-30X	4	123	482	1800	160	577-0546-02
EMP-26M070LM-XXX	6MT-35X	2	69	270	1200	90	577-0546-00
EMP-36M105LM-XXX	6MT-35X	3	104	405	1400	130	577-0546-01
EMP-46M140LM-XXX	6MT-35X	4	138	540	1800	160	577-0546-02
EMP-26M080LM-XXX	6MU-40X	2	77	306	1200	130	577-0546-01
EMP-36M120LM-XXX	6MU-40X	3	116	459	1400	130	577-0546-01
EMP-46M160LM-XXX	6MU-40X	4	154	612	1800	160	577-0546-02

Note:

1. Capacity calculated for R404A at

Medium temperature: Evaporating temperature: -10°C / Condensing temperature: 45°C / Superheat: 20K

Low temperature: Evaporating temperature: -25°C / Condensing temperature: 45°C / Superheat: 20K

2. Liquid receiver volume (liters) is given with respect to rack capacities.

3. For rack capacities of 50kW or lower, depending on customer demand, 60 liter size liquid receiver stations can be made available.

Product line up - technical data

Electrical specification

50 Hz

Medium temperature (MT)

Model name	Compressor	Compressor quantity	MOC (Amps)	Total MOC (Amps)	PW1	PW2	MCB (3Pole)	PW1 contactor	PW2 contactor	PW1 O/L	PW2 O/L	Time delay block
EMP-24M044MM-XXX	4MA-22X	2	36.3	72.6	24.3	13.8	40	25	18	Y	Y	Y
EMP-34M066MM-XXX	4MA-22X	3	36.3	108.9	24.3	13.8	40	25	18	Y	Y	Y
EMP-44M088MM-XXX	4MA-22X	4	36.3	145.2	24.3	13.8	40	25	18	Y	Y	Y
EMP-24M050MM-XXX	4MH-25X	2	41.6	83.2	27.9	15.8	50	32	18	Y	Y	Y
EMP-34M075MM-XXX	4MH-25X	3	41.6	124.8	27.9	15.8	50	32	18	Y	Y	Y
EMP-44M100MM-XXX	4MH-25X	4	41.6	166.4	27.9	15.8	50	32	18	Y	Y	Y
EMP-24M060MM-XXX	4MI-30X	2	46.6	93.2	31.2	17.7	50	32	18	Y	Y	Y
EMP-34M090MM-XXX	4MI-30X	3	46.6	139.8	31.2	17.7	50	32	18	Y	Y	Y
EMP-44M120MM-XXX	4MI-30X	4	46.6	186.4	31.2	17.7	50	32	18	Y	Y	Y
EMP-24M066MM-XXX	4MJ-33X	2	52.9	105.8	35.4	20.1	63	40	25	Y	Y	Y
EMP-34M099MM-XXX	4MJ-33X	3	52.9	158.7	35.4	20.1	63	40	25	Y	Y	Y
EMP-44M132MM-XXX	4MJ-33X	4	52.9	211.6	35.4	20.1	63	40	25	Y	Y	Y
EMP-24M070MM-XXX	4MK-35X	2	61.1	122.2	40.9	23.2	63	50	25	Y	Y	Y
EMP-34M105MM-XXX	4MK-35X	3	61.1	183.3	40.9	23.2	63	50	25	Y	Y	Y
EMP-44M140MM-XXX	4MK-35X	4	61.1	244.4	40.9	23.2	63	50	25	Y	Y	Y
EMP-26M080MM-XXX	6MI-40X	2	71.4	142.8	47.8	27.1	80	50	32	Y	Y	Y
EMP-36M120MM-XXX	6MI-40X	3	71.4	214.2	47.8	27.1	80	50	32	Y	Y	Y
EMP-46M160MM-XXX	6MI-40X	4	71.4	285.6	47.8	27.1	80	50	32	Y	Y	Y
EMP-26M090MM-XXX	6MJ-45X	2	81.5	163.0	54.6	31.0	100	65	32	Y	Y	Y
EMP-36M135MM-XXX	6MJ-45X	3	81.5	244.5	54.6	31.0	100	65	32	Y	Y	Y
EMP-46M180MM-XXX	6MJ-45X	4	81.5	326.0	54.6	31.0	100	65	32	Y	Y	Y
EMP-26M100MM-XXX	6MK-50X	2	92.9	185.8	62.2	35.3	100	65	40	Y	Y	Y
EMP-36M150MM-XXX	6MK-50X	3	92.9	278.7	62.2	35.3	100	65	40	Y	Y	Y
EMP-46M200MM-XXX	6MK-50X	4	92.9	371.6	62.2	35.3	100	65	40	Y	Y	Y

Low temperature (LT)

Model name	Compressor	Compressor quantity	MOC (Amps)	Total MOC (Amps)	PW1	PW2	MCB (3Pole)	PW1 contactor	PW2 contactor	PW1 O/L	PW2 O/L	Time delay block
EMP-24M030LM-XXX	4ML-15X	2	35.4	70.8	23.7	13.5	40	25	18	Y	Y	Y
EMP-34M045LM-XXX	4ML-15X	3	35.4	106.2	23.7	13.5	40	25	18	Y	Y	Y
EMP-44M060LM-XXX	4ML-15X	4	35.4	141.6	23.7	13.5	40	25	18	Y	Y	Y
EMP-24M040LM-XXX	4MM-20X	2	39.0	78.0	26.1	14.8	40	32	18	Y	Y	Y
EMP-34M060LM-XXX	4MM-20X	3	39.0	117.0	26.1	14.8	40	32	18	Y	Y	Y
EMP-44M080LM-XXX	4MM-20X	4	39.0	156.0	26.1	14.8	40	32	18	Y	Y	Y
EMP-24M044LM-XXX	4MT-22X	2	44.5	89.0	29.8	16.9	50	32	18	Y	Y	Y
EMP-34M066LM-XXX	4MT-22X	3	44.5	133.5	29.8	16.9	50	32	18	Y	Y	Y
EMP-44M088LM-XXX	4MT-22X	4	44.5	178.0	29.8	16.9	50	32	18	Y	Y	Y
EMP-24M050LM-XXX	4MU-25X	2	51.9	103.8	34.8	19.7	63	40	25	Y	Y	Y
EMP-34M075LM-XXX	4MU-25X	3	51.9	155.7	34.8	19.7	63	40	25	Y	Y	Y
EMP-44M100LM-XXX	4MU-25X	4	51.9	207.6	34.8	19.7	63	40	25	Y	Y	Y
EMP-26M060LM-XXX	6MM-30X	2	59.7	119.4	40.0	22.7	63	40	25	Y	Y	Y
EMP-36M090LM-XXX	6MM-30X	3	59.7	179.1	40.0	22.7	63	40	25	Y	Y	Y
EMP-46M120LM-XXX	6MM-30X	4	59.7	238.8	40.0	22.7	63	40	25	Y	Y	Y
EMP-26M070LM-XXX	6MT-35X	2	67.3	134.6	45.1	25.6	80	50	32	Y	Y	Y
EMP-36M105LM-XXX	6MT-35X	3	67.3	201.9	45.1	25.6	80	50	32	Y	Y	Y
EMP-46M140LM-XXX	6MT-35X	4	67.3	269.2	45.1	25.6	80	50	32	Y	Y	Y
EMP-26M080LM-XXX	6MU-40X	2	75.8	151.6	50.8	28.8	80	65	32	Y	Y	Y
EMP-36M120LM-XXX	6MU-40X	3	75.8	227.4	50.8	28.8	80	65	32	Y	Y	Y
EMP-46M160LM-XXX	6MU-40X	4	75.8	303.2	50.8	28.8	80	65	32	Y	Y	Y

Note: Maximum operating current (MOC) calculated for R404A at
 MT: Evaporating temp: -10°C / Condensing temp: 45°C / Superheat: 20K
 LT: Evaporating temp: -25°C / Condensing temp: 45°C / Superheat: 20K

Product line up - technical data

Mechanical specification

60 Hz

Medium temperature (MT)

Model name	Compressor model	No. of compressors	Capacity (kW)	Total displacement (m ³ /h)	Nominal unit weight (kg)	Liquid receiver volume (liters)	Receiver station part numbers
EMP-24M044MK-XXX	4MA-22X	2	75	149	1200	130	577-0546-01
EMP-34M066MK-XXX	4MA-22X	3	113	224	1400	130	577-0546-01
EMP-44M088MK-XXX	4MA-22X	4	151	298	1800	160	577-0546-02
EMP-24M050MK-XXX	4MH-25X	2	89	172	1200	130	577-0546-01
EMP-34M075MK-XXX	4MH-25X	3	133	258	1400	160	577-0546-02
EMP-44M100MK-XXX	4MH-25X	4	178	344	1800	225	577-0546-03
EMP-24M060MK-XXX	4MI-30X	2	99	189	1200	130	577-0546-01
EMP-34M090MK-XXX	4MI-30X	3	148	284	1400	160	577-0546-02
EMP-44M120MK-XXX	4MI-30X	4	198	378	1800	225	577-0546-03
EMP-24M066MK-XXX	4MJ-33X	2	110	212	1200	130	577-0546-01
EMP-34M099MK-XXX	4MJ-33X	3	165	318	1400	160	577-0546-02
EMP-44M132MK-XXX	4MJ-33X	4	220	424	1800	350	577-0546-04
EMP-24M070MK-XXX	4MK-35X	2	124	240	1200	160	577-0546-02
EMP-34M105MK-XXX	4MK-35X	3	185	360	1400	225	577-0546-03
EMP-44M140MK-XXX	4MK-35X	4	247	480	1800	350	577-0546-04
EMP-26M080MK-XXX	6MI-40X	2	149	291	1200	160	577-0546-02
EMP-36M120MK-XXX	6MI-40X	3	224	437	1400	350	577-0546-04
EMP-46M160MK-XXX	6MI-40X	4	298	582	1800	350	577-0546-05
EMP-26M090MK-XXX	6MJ-45X	2	167	326	1200	225	577-0546-03
EMP-36M135MK-XXX	6MJ-45X	3	251	489	1400	350	577-0546-04
EMP-46M180MK-XXX	6MJ-45X	4	334	652	1800	350	577-0546-05
EMP-26M100MK-XXX	6MK-50X	2	187	370	1200	225	577-0546-03
EMP-36M150MK-XXX	6MK-50X	3	280	555	1400	350	577-0546-05
EMP-46M200MK-XXX	6MK-50X	4	373	740	1800	350	577-0546-05

Low temperature (LT)

Model name	Compressor model	No. of compressors	Capacity (kW)	Total displacement (m ³ /h)	Nominal unit weight (kg)	Liquid receiver volume (liters)	Receiver station part numbers
EMP-24M030LK-XXX	4ML-15X	2	43	172	1200	90	577-0546-00
EMP-34M045LK-XXX	4ML-15X	3	65	258	1400	90	577-0546-00
EMP-44M060LK-XXX	4ML-15X	4	86	344	1800	130	577-0546-01
EMP-24M040LK-XXX	4MM-20X	2	48	189	1200	90	577-0546-00
EMP-34M060LK-XXX	4MM-20X	3	72	284	1400	130	577-0546-01
EMP-44M080LK-XXX	4MM-20X	4	96	378	1800	130	577-0546-01
EMP-24M044LK-XXX	4MT-22X	2	54	212	1200	90	577-0546-00
EMP-34M066LK-XXX	4MT-22X	3	81	318	1400	130	577-0546-01
EMP-44M088LK-XXX	4MT-22X	4	108	424	1800	130	577-0546-01
EMP-24M050LK-XXX	4MU-25X	2	60	240	1200	90	577-0546-00
EMP-34M075LK-XXX	4MU-25X	3	89	360	1400	130	577-0546-01
EMP-44M100LK-XXX	4MU-25X	4	119	480	1800	130	577-0546-01
EMP-26M060LK-XXX	6MM-30X	2	72	291	1200	130	577-0546-01
EMP-36M090LK-XXX	6MM-30X	3	109	437	1400	130	577-0546-01
EMP-46M120LK-XXX	6MM-30X	4	145	582	1800	160	577-0546-02
EMP-26M070LK-XXX	6MT-35X	2	81	326	1200	130	577-0546-01
EMP-36M105LK-XXX	6MT-35X	3	122	489	1400	160	577-0546-02
EMP-46M140LK-XXX	6MT-35X	4	163	652	1800	225	577-0546-03
EMP-26M080LK-XXX	6MU-40X	2	91	370	1200	130	577-0546-01
EMP-36M120LK-XXX	6MU-40X	3	137	555	1400	160	577-0546-02
EMP-46M160LK-XXX	6MU-40X	4	182	740	1800	225	577-0546-03

Note:

1. Capacity calculated for R404A at

Medium temperature: Evaporating temperature: -10°C / Condensing temperature: 45°C / Superheat: 20K

Low temperature: Evaporating temperature: -25°C / Condensing Temperature: 45°C / Superheat: 20K

2. Liquid receiver volume (liters) is given with respect to rack capacities.

3. For rack capacities of 50kW or lower, depending on customer demand, 60 liter size liquid receiver stations can be made available.

Product line up - technical data

Electrical specification

60 Hz

Medium temperature (MT)

Model name	Compressor	No. Of compressors	MOC 400V (Amps)	MOC 400V total (Amps)	MCB (3Pole) 400V	Contactora 400V	O/L
EMP-24M044MK-XXX	4MA-22X	2	45.7	91.4	50	50	Y
EMP-34M066MK-XXX	4MA-22X	3	45.7	137.1	50	50	Y
EMP-44M088MK-XXX	4MA-22X	4	45.7	182.8	50	50	Y
EMP-24M050MK-XXX	4MH-25X	2	52.4	104.8	63	65	Y
EMP-34M075MK-XXX	4MH-25X	3	52.4	157.2	63	65	Y
EMP-44M100MK-XXX	4MH-25X	4	52.4	209.6	63	65	Y
EMP-24M060MK-XXX	4MI-30X	2	58.7	117.4	63	65	Y
EMP-34M090MK-XXX	4MI-30X	3	58.7	176.1	63	65	Y
EMP-44M120MK-XXX	4MI-30X	4	58.7	234.8	63	65	Y
EMP-24M066MK-XXX	4MJ-33X	2	66.7	133.4	80	80	Y
EMP-34M099MK-XXX	4MJ-33X	3	66.7	200.1	80	80	Y
EMP-44M132MK-XXX	4MJ-33X	4	66.7	266.8	80	80	Y
EMP-24M070MK-XXX	4MK-35X	2	77.0	154.0	80	80	Y
EMP-34M105MK-XXX	4MK-35X	3	77.0	231.0	80	80	Y
EMP-44M140MK-XXX	4MK-35X	4	77.0	308.0	80	80	Y
EMP-26M080MK-XXX	6MI-40X	2	90.0	180.0	100	95	Y
EMP-36M120MK-XXX	6MI-40X	3	90.0	270.0	100	95	Y
EMP-46M160MK-XXX	6MI-40X	4	90.0	360.0	100	95	Y
EMP-26M090MK-XXX	6MJ-45X	2	103.0	206.0	125	115	Y
EMP-36M135MK-XXX	6MJ-45X	3	103.0	309.0	125	115	Y
EMP-46M180MK-XXX	6MJ-45X	4	103.0	412.0	125	115	Y
EMP-26M100MK-XXX	6MK-50X	2	117.0	234.0	125	115	Y
EMP-36M150MK-XXX	6MK-50X	3	117.0	351.0	125	115	Y
EMP-46M200MK-XXX	6MK-50X	4	117.0	468.0	125	115	Y

Low temperature (LT)

Model name	Compressor	No. of compressors	MOC 400V (Amps)	MOC 400V total (Amps)	MCB (3Pole) 400V	Contactora 400V	O/L
EMP-24M030LK-XXX	4ML-15X	2	44.6	89.2	50	50	Y
EMP-34M045LK-XXX	4ML-15X	3	44.6	133.8	50	50	Y
EMP-44M060LK-XXX	4ML-15X	4	44.6	178.4	50	50	Y
EMP-24M040LK-XXX	4MM-20X	2	49.1	98.2	50	50	Y
EMP-34M060LK-XXX	4MM-20X	3	49.1	147.3	50	50	Y
EMP-44M080LK-XXX	4MM-20X	4	49.1	196.4	50	50	Y
EMP-24M044LK-XXX	4MT-22X	2	56.1	112.2	63	65	Y
EMP-34M066LK-XXX	4MT-22X	3	56.1	168.3	63	65	Y
EMP-44M088LK-XXX	4MT-22X	4	56.1	224.4	63	65	Y
EMP-24M050LK-XXX	4MU-25X	2	65.4	130.8	80	80	Y
EMP-34M075LK-XXX	4MU-25X	3	65.4	196.2	80	80	Y
EMP-44M100LK-XXX	4MU-25X	4	65.4	261.6	80	80	Y
EMP-26M060LK-XXX	6MM-30X	2	75.2	150.4	80	80	Y
EMP-36M090LK-XXX	6MM-30X	3	75.2	225.6	80	80	Y
EMP-46M120LK-XXX	6MM-30X	4	75.2	300.8	80	80	Y
EMP-26M070LK-XXX	6MT-35X	2	84.8	169.6	100	95	Y
EMP-36M105LK-XXX	6MT-35X	3	84.8	254.4	100	95	Y
EMP-46M140LK-XXX	6MT-35X	4	84.8	339.2	100	95	Y
EMP-26M080LK-XXX	6MU-40X	2	95.5	191.0	100	95	Y
EMP-36M120LK-XXX	6MU-40X	3	95.5	286.5	100	95	Y
EMP-46M160LK-XXX	6MU-40X	4	95.5	382.0	100	95	Y

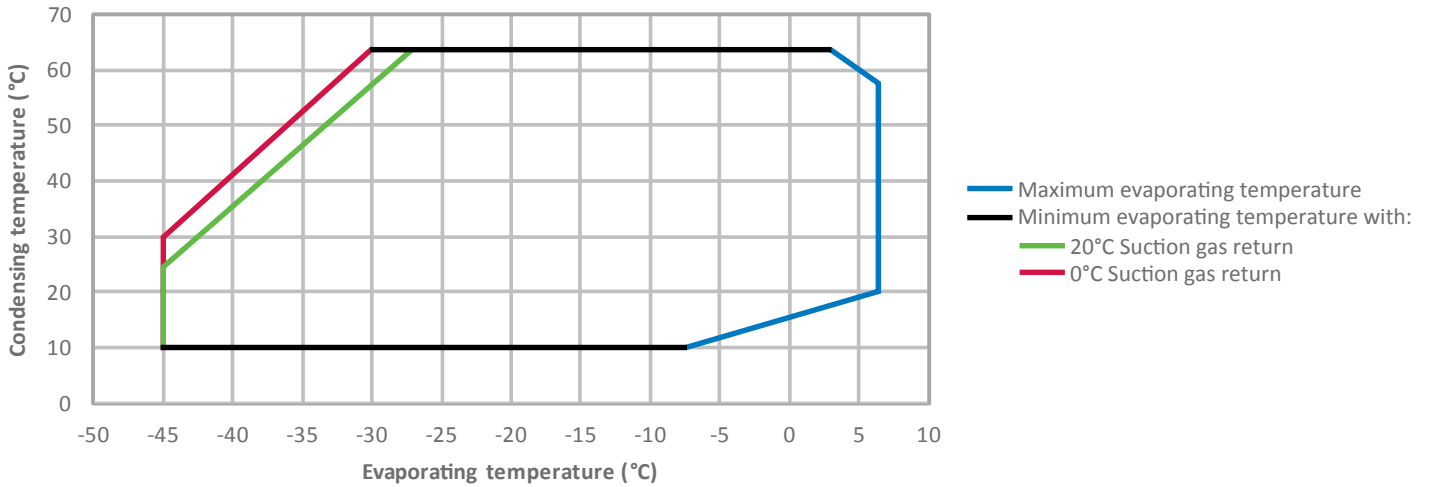
Note: Maximum operating current (MOC) calculated for R404A at
 MT: Evaporating temp: -10°C / Condensing temp: 45°C / Superheat: 20K
 LT: Evaporating temp: -25°C / Condensing temp: 45°C / Superheat: 20K

Operating envelopes

R404A

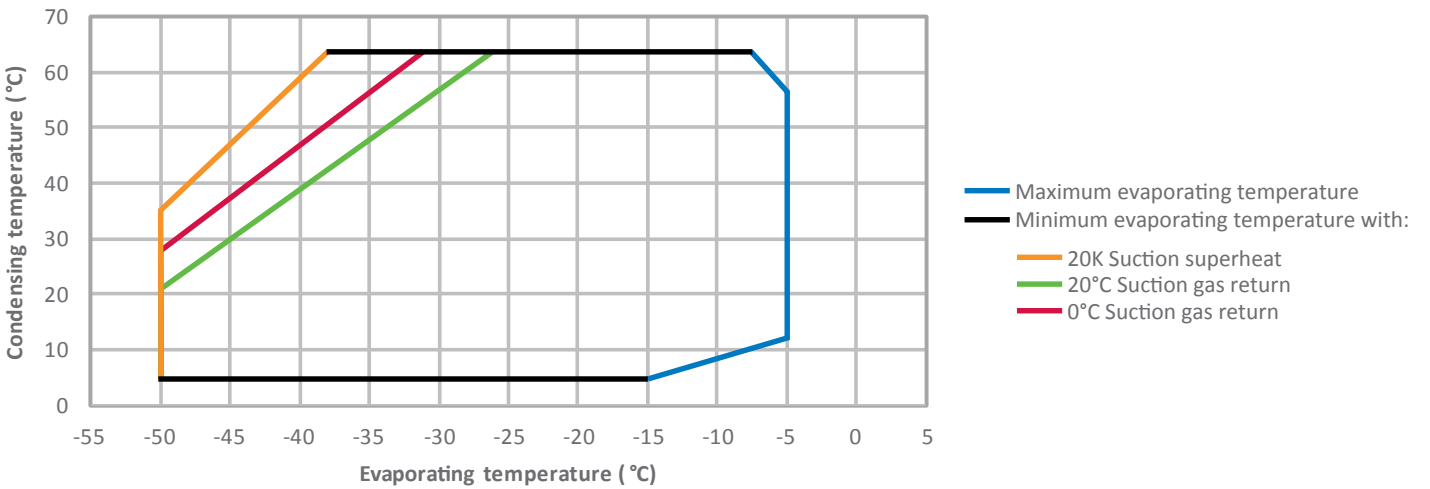
Medium temperature application

Rack with compressor models: 4MA-22X, 4MH-25X, 4MI-30X, 4MJ-33X, 4MK-35X, 6MI-40X, 6MJ-45X, 6MK-50X

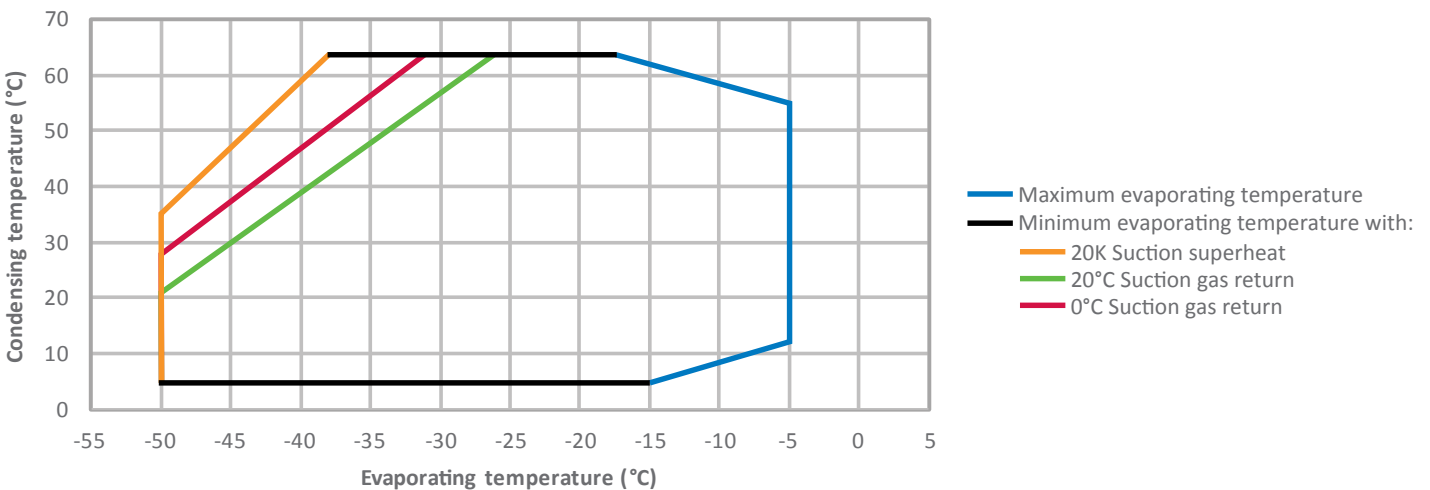


Low temperature application

Rack with compressor models: 4MF-13X, 4ML-15X, 4MM-20X, 4MT-22X, 6MM-30X, 6MT-35X, 6MU-40X

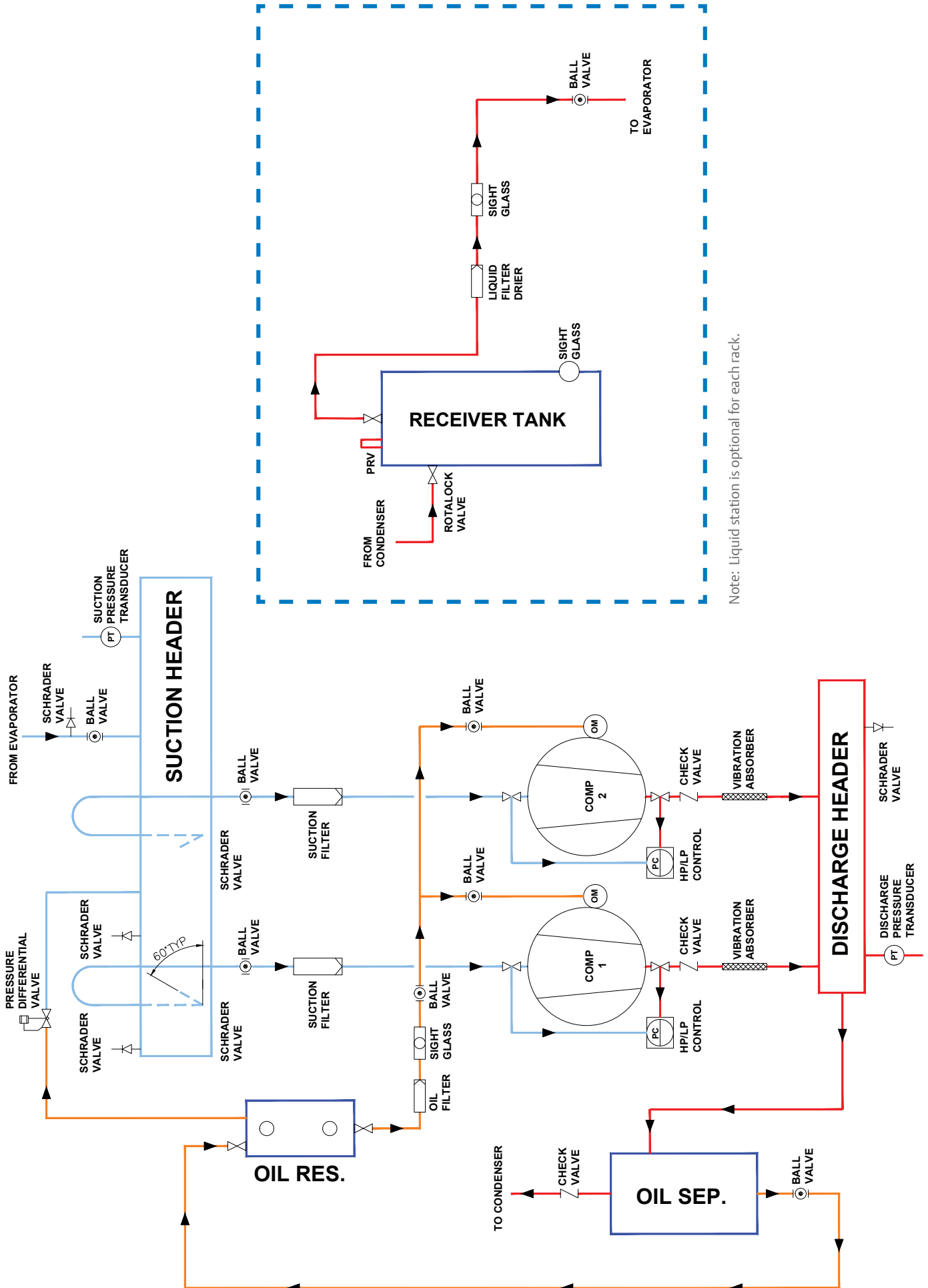


Rack with compressor model: 4MU-25X



Schematic diagram

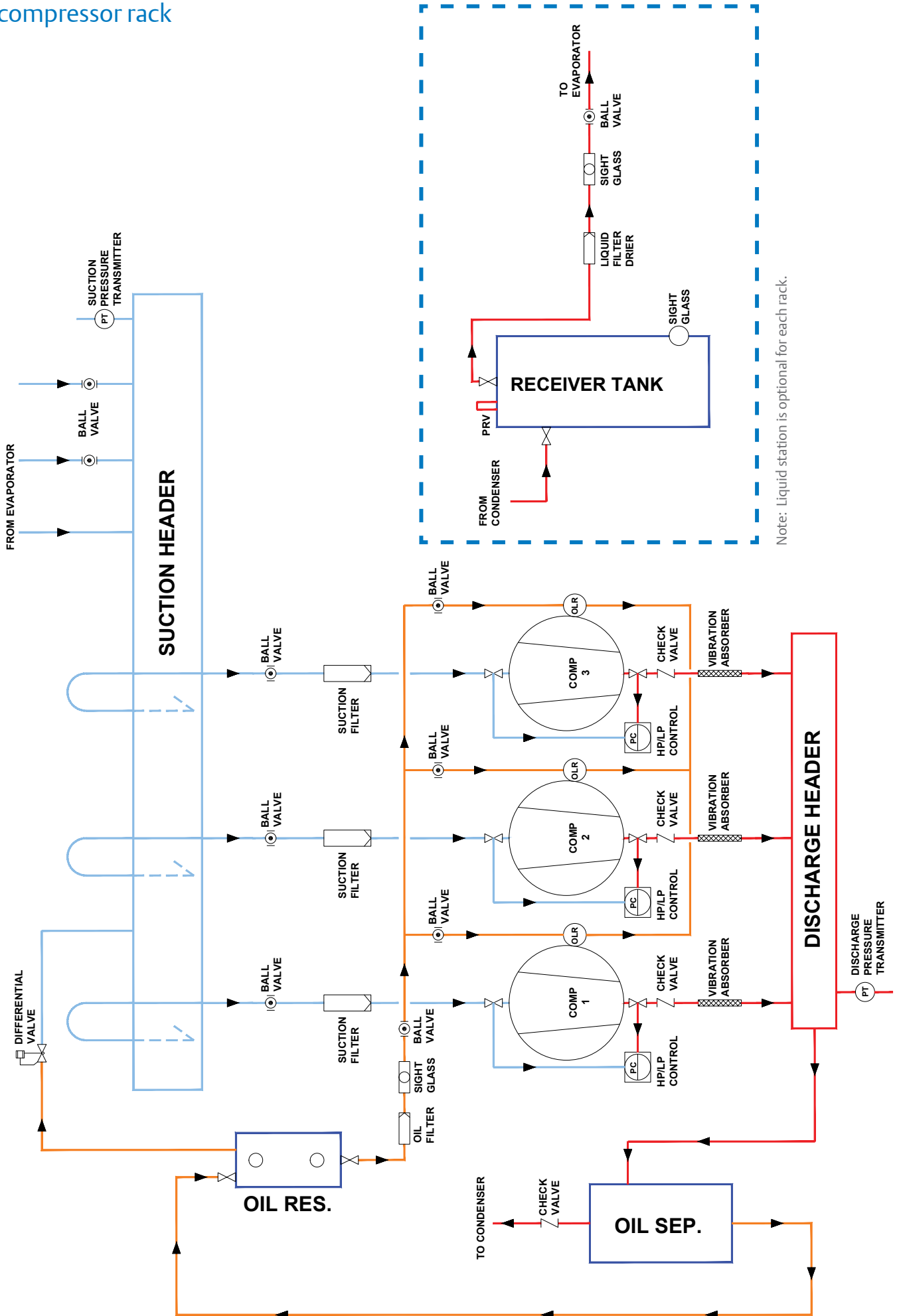
2 compressor rack



Note: Liquid station is optional for each rack.

Schematic diagram

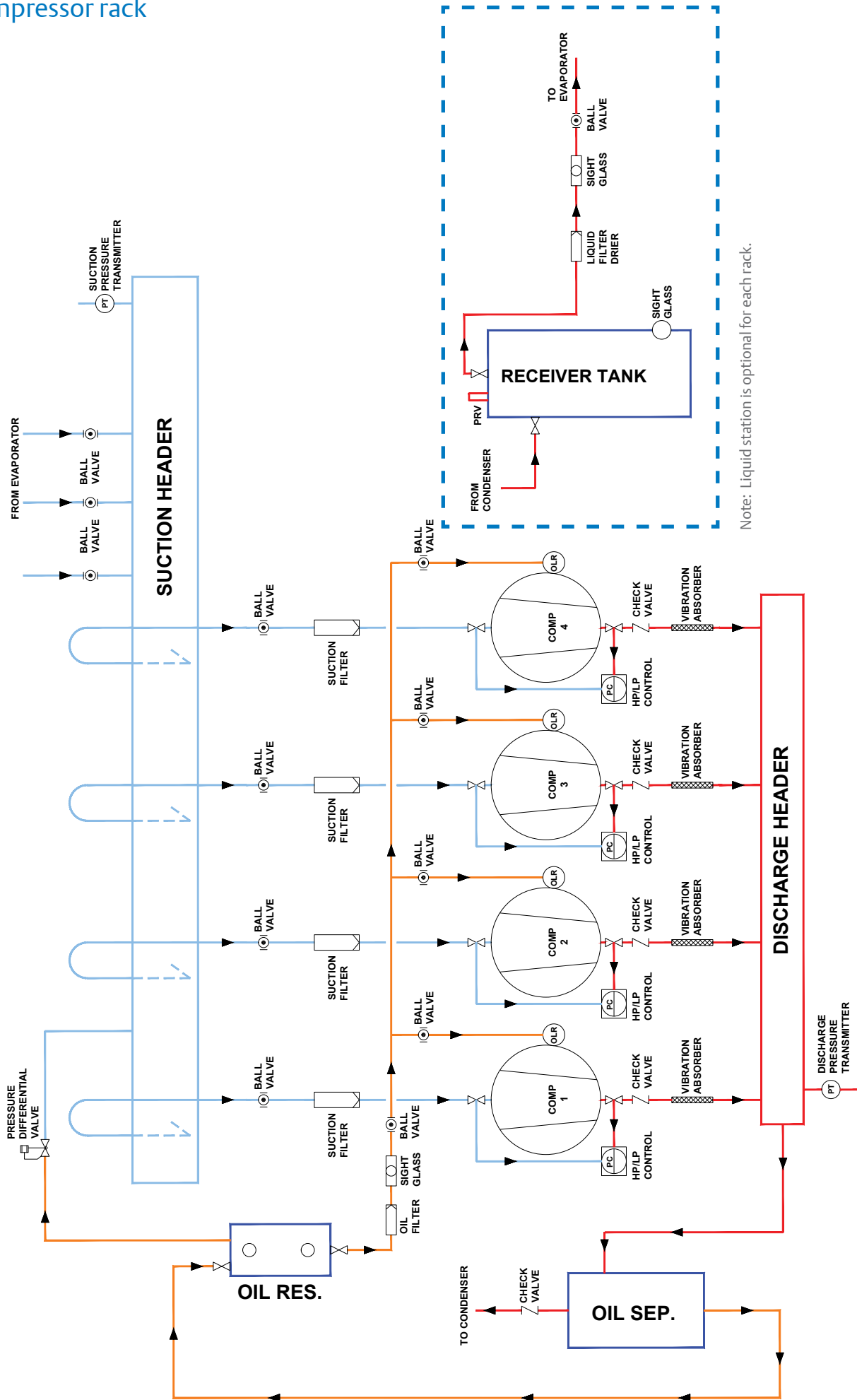
3 compressor rack



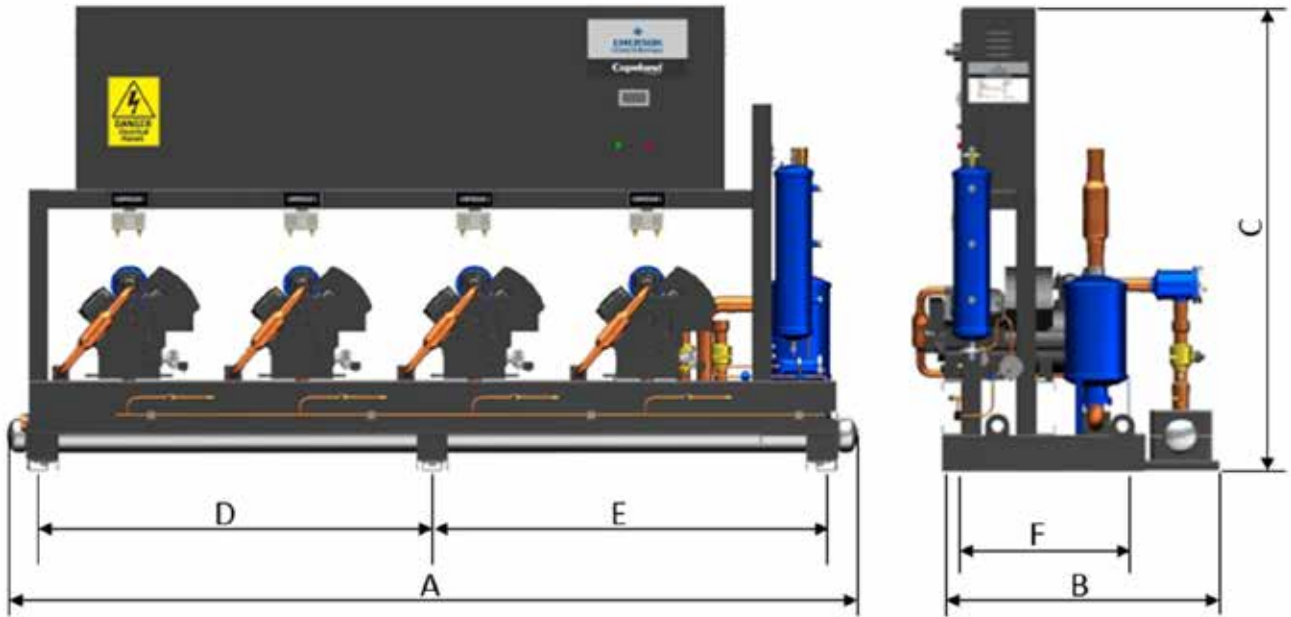
Note: Liquid station is optional for each rack.

Schematic diagram

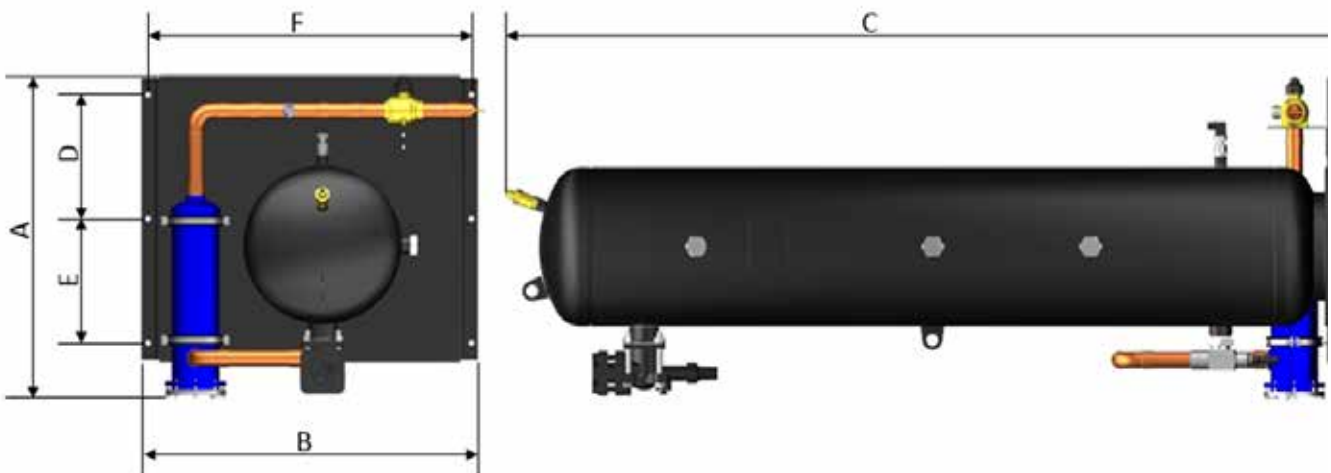
4 compressor rack



Dimensional drawings



No. of compressors	A (mm)	B (mm)	C (mm)	D (mm)	E (mm)	F (mm)
2 compressor	2040 (nominal)	1129	1115	895	915	705
3 compressor	2800 (nominal)	1129	1900	1257.5	1257.5	705
4 compressor	3504 (nominal)	1129	1900	1610	1610	705



Part number	A (mm)	B (mm)	C (mm)	D (mm)	E (mm)	F (mm)
577-0546-00	672	772	1462	250	250	740
577-0546-01	677	772	2012	250	250	740
577-0546-02	812	847	1611	312	313	815
577-0546-03	812	847	2150	312	313	815
577-0546-04	933	922	2164	350	350	890
577-0546-05	956	922	2164	350	350	890

Note: Please contact your Emerson representative for line sizes.

Other supplementary references

1. IProRack controller user manual
2. Stream user manual
3. Select 7 software

General information

Technical data are correct at the time of printing. Updates may occur, and should you need confirmation of a specific value, please contact Emerson clearly stating the information required.

Emerson cannot be held responsible for errors in capacities, dimensions, etc., stated herein. Products, specifications and data in this literature are subject to change without notice.

The information given herein is based on data and tests which Emerson believes to be reliable and which are in accordance with today's technical knowledge. It is intended for use by persons having the appropriate technical knowledge and skill, at their own discretion and risk. Our products are designed and adapted for fixed locations. For mobile applications, failures may occur.

The suitability for this has to be assured from the plant manufacturer, which may include making appropriate tests.

Note:

The components listed in this catalogue are not released for use with caustic, poisonous or flammable substances. Emerson cannot be held responsible for any damage caused by using these substances.

About Emerson

Emerson (NYSE: EMR), headquartered in St. Louis, Missouri (USA), is a global technology and engineering company providing innovative solutions for customers in industrial, commercial, and residential markets. Our Emerson Automation Solutions business helps process, hybrid, and discrete manufacturers maximize production, protect personnel and the environment while optimizing their energy and operating costs. Our Emerson Commercial and Residential Solutions business helps ensure human comfort and health, protect food quality and safety, advance energy efficiency, and create sustainable infrastructure. For more information visit [Emerson.com](https://www.emerson.com).

Contact lists

Asia Pacific Headquarters

Emerson Climate Technologies
Suite No. 2503-8, 25/F,
Exchange Tower, 33 Wang Chiu Road,
Kowloon Bay, Kowloon, Hong Kong
Tel: (852) 2866 3108
Fax: (852) 2520 6227

Australia

Emerson Climate Technologies Australia
Pty Ltd
356 Chisholm Road
Auburn NSW 2144, Australia
Tel: (612) 9795 2800
Fax: (612) 9738 1699

China - Beijing

Emerson Climate Technologies
(Suzhou) Co. Ltd
Beijing Sales Office
Room 1017 JianWei Building,
66 Nan Lishi Road, XiCheng District,
Beijing, PRC
Tel: (8610) 5763 0488
Fax: (8610) 5763 0499

China - Guangzhou

Emerson Climate Technologies
(Suzhou) Co. Ltd
Guangzhou Sales Office
508-509 R&F Yinglong Plaza,
No. 76 Huangpu Road West,
Guangzhou, PRC
Tel: (8620) 2886 7668
Fax: (8620) 2886 7622

China - Shanghai

Emerson Climate Technologies
(Suzhou) Co. Ltd
Shanghai Sales Office
7F, Emerson Building, 1582 Gumei
Rd, Shanghai, PRC
Tel: (8621) 3338 7333

India - Mumbai

Emerson Climate Technologies (India) Ltd
Delphi B-Wing, 601-602, 6th Floor
Central Avenue, Hiranandani Business Park,
Powai, Mumbai 400076
Tel: (9122) 6786 0793
Fax: (9122) 6662 0500

India - Pune

Emerson Climate Technologies (India) Ltd
Plot No. 23, Rajiv Gandhi Infotech Park,
Phase - II, Hinjewadi,
Pune 411 057, Maharashtra, India
Tel: (9120) 4200 2000
Fax: (9120) 4200 2099

Indonesia

PT Emerson Indonesia
BSD Taman Tekno 8
Jl. Tekno Widya Blok H10 No 2 & 3
Tangerang Selatan 15314
Indonesia
Tel: (6221) 2966 6242
Fax: (6221) 2966 6245

Japan

Emerson Japan Ltd
Shin-yokohama Tosho Building
No. 3-9-5 Shin-Yokohama, Kohoku-ku
Yokohama 222-0033 Japan
Tel: (8145) 475 6371
Fax: (8145) 475 3565

Malaysia

Emerson Electric (Malaysia) Sdn. Bhd.
Level M2, Blk A, Menara PKNS-PJ
Jalan Yong Shook Lin
46050 Petaling Jaya, Selangor, Malaysia
Tel: (603) 7949 9222
Fax: (603) 7949 9333

Middle East & Africa

Emerson Climate Technologies
PO Box 26382
Jebel Ali Free Zone – South
Dubai, UAE
Tel: (9714) 811 8100
Fax: (9714) 886 5465

Philippines

Emerson Climate Technologies
10/F SM Cyber West Avenue, EDSA cor. West
Avenue, Barangay Bungad, Diliman, Quezon
City 1105 Philippines
Tel: (632) 689 7200

Saudi Arabia

Emerson Arabia Inc.
P.O Box 34332 – 3620 Building 7874
Unit 1, 67th street 2nd Industrial City
Dammam, Saudi Arabia
Toll Free: 8008443426
Tel: + 966 3 8147560
Fax: + 966 3 8147570

South Korea

Emerson Electric Korea Ltd.
3F POBA Gangnam Tower
343, Hakdong-ro, Gangnam-gu,
Seoul 135-820, Republic of Korea
Tel: (822) 3483 1500
Fax: (822) 592 7883

Taiwan

Emerson Electric (Taiwan) Co. Ltd
3F No. 122 Lane 235,
Pao Chiau Rd., XinDian Dist.,
New Taipei City 23145, Taiwan (R.O.C.)
Tel: (8862) 8912 1360
Fax: (8862) 8912 1890

Thailand - Bangkok

Emerson Electric (Thailand) Ltd
34th Floor, Interlink Tower,
1858/133, Bangna Trad,
Bangkok 10260, Thailand
Tel: (662) 716 4700
Fax: (662) 751 4241

United Arab Emirates

Emerson Climate Technologies FZE
Jebel Ali Free Zone
PO Box 26382
Dubai UAE
Toll Free: 8004413428
Tel: + 971 4 8118100
Fax: + 971 4 8865465

Vietnam

Emerson Climate Technologies - Vietnam
Suite 307-308,
123 Truong Dinh St., Dist.3
Ho Chi Minh, Vietnam
Tel: (84) 908 009 189

EmersonClimateAsia.com

Asia 02 B01 03 - R01 Issued 1/2017 - GSCAA028

Emerson, CoreSense and Copeland Scroll are trademarks of Emerson Electric Co. or one of its affiliated companies. ©2016 Emerson Climate Technologies, Inc. All rights reserved.