



++



EC2-XC645CX

(v. 3.5)

INDEX

| | | |
|------------|--|-----------|
| 1. | <u>BEFORE PROCEEDING</u> | 5 |
| 1.1 | CHECK THE SW REL. OF THE EC2-XC645CX | 5 |
| 2. | <u>GENERAL WARNING</u> | 5 |
| 2.1 |  PLEASE READ BEFORE USING THIS MANUAL | 5 |
| 2.2 |  SAFETY PRECAUTIONS | 5 |
| 3. | <u>GENERAL DESCRIPTION</u> | 6 |
| 4. | <u>COMPONENTS RELATED TO THE EC2-XC645CX</u> | 6 |
| 4.1 | CWC15KIT AND CWC30KIT: WIRING KITS | 6 |
| 4.2 | CABCJ15 OR CABCJ30: 2 PIN CONNECTORS | 7 |
| 4.3 | PT5N: 4+20 MA PRESSURE TRANSDUCERS AND CABLE ASSEMBLIES | 7 |
| 4.4 | DISCHARGE TEMPERATURE OF DIGITAL SCROLL | 7 |
| 4.5 | XJ485CX: TTL / RS485 SERIAL CONVERTER | 7 |
| 5. | <u>WIRING & ELECTRICAL CONNECTIONS</u> | 8 |
| 5.1 | GENERAL WARNINGS | 8 |
| 5.2 | WIRING CONNECTIONS | 8 |
| 5.3 | PROBE CONNECTION | 9 |
| 5.4 | LOAD CONNECTIONS | 10 |
| 5.5 | SAFETY AND CONFIGURABLE DIGITAL INPUTS – FREE VOLTAGE | 10 |
| 5.6 | ANALOG OUTPUT CONNECTION | 11 |
| 5.7 | HOW TO CONNECT MONITORING SYSTEM - RS485 SERIAL LINE | 11 |
| 6. | <u>MOUNTING & INSTALLATION</u> | 12 |
| 7. | <u>FIRST INSTALLATION</u> | 13 |
| 7.1 | HOW TO SET THE KIND OF GAS | 13 |
| 7.2 | HOW TO SET THE RANGE OF THE PRESSURE PROBES | 13 |
| 8. | <u>USER INTERFACE</u> | 14 |
| 8.1 | DISPLAYING | 14 |
| 8.2 | KEYBOARD | 14 |
| 8.3 | ICONS | 15 |
| 9. | <u>HOW TO SEE AND MODIFY THE SET POINT(S)</u> | 15 |
| 9.1 | HOW TO SEE THE SET POINT OF COMPRESSORS AND/OR FANS | 15 |
| 9.2 | HOW TO MODIFY THE SET POINT OF COMPRESSORS AND/OR FANS | 16 |
| 10. | <u>THE INFO MENU</u> | 16 |

| | | |
|------------|--|-----------|
| 11. | <u>PARAMETER PROGRAMMING</u> | 17 |
| 11.1 | HOW TO ENTER THE “PR1” PARAMETER LIST | 17 |
| 11.2 | HOW TO ENTER IN PARAMETER LIST “PR2” | 17 |
| 11.3 | HOW TO CHANGE PARAMETER VALUES | 17 |
| 12. | <u>HOW TO DISABLE AN OUTPUT</u> | 18 |
| 12.1 | HOW TO DISABLE AN OUTPUT DURING A MAINTENANCE SESSION. | 18 |
| 12.2 | OUTPUT DISABLED SIGNALING. | 18 |
| 12.3 | REGULATION WITH SOME OUTPUTS DISABLED. | 18 |
| 13. | <u>RUNNING HOURS OF LOADS</u> | 18 |
| 13.1 | HOW TO DISPLAY THE RUNNING HOURS OF A LOAD. | 18 |
| 13.2 | HOW TO RESET THE RUNNING HOURS OF A LOAD. | 18 |
| 14. | <u>ALARM MENEUE</u> | 19 |
| 14.1 | HOW TO SEE THE ALARMS | 19 |
| 15. | <u>KEYBOARD LOCKING</u> | 19 |
| 15.1 | HOW TO LOCK THE KEYBOARD | 19 |
| 15.2 | TO UNLOCK THE KEYBOARD | 19 |
| 16. | <u>USE OF THE PROGRAMMING “HOT KEY “</u> | 20 |
| 16.1 | HOW TO PROGRAM A HOT KEY FROM THE INSTRUMENT (UPLOAD) | 20 |
| 16.2 | HOW TO PROGRAM AN INSTRUMENT USING A HOT KEY (DOWNLOAD) | 20 |
| 17. | <u>LIST OF PARAMETERS</u> | 20 |
| 17.1 | PLANT DIMENSIONING AND TYPE OF REGULATION. | 20 |
| 17.2 | PROBE CONFIGURATION | 23 |
| 17.3 | OTHER INPUT CONFIGURATION | 24 |
| 17.4 | DISPLAY AND MEASUREMENT UNIT | 25 |
| 17.5 | COMPRESSOR REGULATION | 26 |
| 17.6 | LIQUID INJECTION THERMOSTAT | 27 |
| 17.7 | FANS REGULATION | 27 |
| 17.8 | ALARMS – COMPRESSOR SECTION | 28 |
| 17.9 | ALARMS – DLT SECTION | 28 |
| 17.10 | ALARMS – FANS SECTION | 28 |
| 17.11 | SUCTION SUPERHEAT | 29 |
| 17.12 | DYNAMIC SET POINT FOR FAN | 30 |
| 17.13 | ANALOG OUTPUTS (OPTIONAL) - TERMINALS 23-34 | 30 |
| 17.14 | ANALOG OUTPUT 2 (OPTIONAL) – TERMINALS 8-10 | 31 |
| 17.15 | OTHER | 31 |
| 18. | <u>TYPE OF REGULATION</u> | 32 |
| 18.1 | DIGITAL COMPRESSOR REGULATION | 32 |
| 18.2 | PROPORTIONAL BAND REGULATION - ONLY FOR FANS | 36 |
| 18.3 | CONDENSER WITH INVERTER OR EC FANS–ANALOG OUTPUT SETTING | 37 |
| 18.4 | ANALOG OUTPUT “FREE” | 38 |
| 19. | <u>ADDITIONAL FUNCTIONS</u> | 39 |
| 19.1 | COMPRESSOR RUNNING PROOF FUNCTION | 39 |
| 19.2 | FLOOD PROTECTION FUNCTION | 40 |

| | | |
|------------|---|------------------|
| 19.3 | SUCTION SUPERHEAT MONITORING | 41 |
| 19.4 | HOT GAS INJECTION VALVE | 42 |
| 20. | <u>ALARM LIST</u> | <u>42</u> |
| 20.1 | TYPES OF ALARMS AND SIGNALING MANAGED | 42 |
| 20.2 | BUZZER MUTING | 45 |
| 20.3 | ALARM CONDITIONS – SUMMARY TABLE | 45 |
| 21. | <u>TECHNICAL FEATURES</u> | <u>48</u> |
| 22. | <u>PARAMETERS – DEFAULT VALUES</u> | <u>49</u> |

1. BEFORE PROCEEDING

1.1 Check the sw rel. of the EC2-XC645CX

1. Look at the SW rel. of XC64D printed on the label of the controller.



2. If the SW release is 3.5, proceed with this manual otherwise contact Emerson to get the right manual.

2. GENERAL WARNING

2.1 Please read before using this manual

- This manual is part of the product and should be kept near the instrument for easy and quick reference.
- The instrument shall not be used for purposes different from those described hereunder. It cannot be used as a safety device.
- Check the application limits before proceeding.
- Emerson reserves the right to change the composition of its products, even without notice, ensuring the same and unchanged functionality.

2.2 Safety Precautions

- Check the supply voltage is correct before connecting the instrument.
- Do not expose to water or moisture: use the controller only within the operating limits avoiding sudden temperature changes with high atmospheric humidity to prevent formation of condensations.
- **WARNING:** disconnect all electrical connections before any kind of maintenance.
- The instrument must not be opened.
- In case of failure or faulty operation send the instrument back to the distributor or to "Emerson." (See address) with a detailed description of the fault.
- Consider the maximum current which can be applied to each relay (see Technical Data).
- Ensure that the wires for probes, loads and the power supply are separated and far enough from each other, without crossing or intertwining.
- Fit the probe where it is not accessible by the end user.
- In case of applications in industrial environments, the use of mains filters (our mod. FT1) in parallel with inductive loads could be useful.

3. GENERAL DESCRIPTION

The EC2-XC645CX is designed to manage both compressors and fans in a condensing system such as a pack.

The compressors can be digital scroll, simple, multistage.

It's possible to manage suction circuit and condenser.

Control is by means of a neutral zone or proportional band and is based on the pressure or temperature sensed in the LP suction (compressors) and HP (condenser) circuits. A special algorithm balances the run hours of the compressors to distribute the workload uniformly.

The controllers can convert both suction and discharge pressure and displays them as temperatures.

The front panel offers complete information on the system's status by displaying the suction and condenser pressure (temperatures), the status of the loads, possible alarms, or maintenance conditions.

Each load has its own alarm input that is able to stop it when activated. To guarantee the total system's safety, there are also two inputs for low- and high-pressure switches: when these are activated, the system is stopped.

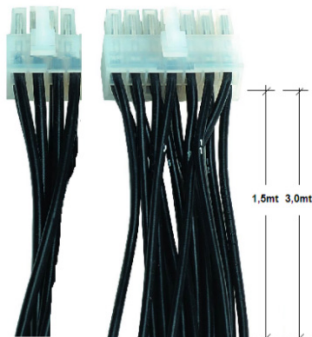
By means of the HOT KEY the controller can be easy programmed at power on.

The controller can be connected to the X-WEB, controlling and monitoring system, thanks to the serial TTL output, using the standard ModBus RTU protocol.

4. COMPONENTS RELATED TO THE EC2-XC645CX

| Name | Description | Part No. |
|---|-----------------------|------------|
| Transformer | ECT-323 230 V/24 VAC | 804424 |
| Wiring kit 1.5 m and 3 m | CWC30-Kit (3.0 m) | 807724 |
| Female disconnect able connector for digital input or analog output (4 pcs) | CABCJ30 (3.0 m) | 807723 |
| TTL / RS485 serial converter | XJ485CX+CABRS02 | J7MAZZZ9AA |
| 4-20 mA suction pressure transducer | PT5N-07M (-0.8+7 bar) | 805350 |
| 4-20 mA condenser pressure transducer | PT5N-30M (0+30 bar) | 805352 |
| Cable Assembly for PT5N 3 m | PT4-M30 | 804804 |

4.1 CWC15KIT and CWC30KIT: wiring kits



The EC2-XC645CX is provided with 2 socket connectors with 14 and 6 pins.

For the wiring, the **CWC15KIT** (1.5 m cable length) or **CWC30KIT** (3.0 m cable length) have to be used.

4.2 CAB CJ15 or CAB CJ30: 2 PIN connectors



NOTE:

Use the connection cable **CAB CJ15** (1.5 m length) or the **CAB CJ30** (3.0 m length) for the:

- **HP digital input** (25-26),
- **i2F configurable digital input** (27-28),
- **0-10Vdc or 4-20mA analogue output** (23-24)
- **oA6**, 12 VD/4 0mA digital output (21-22)

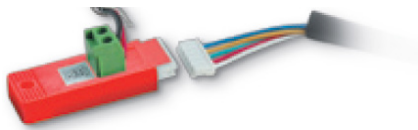
4.3 PT5N: 4÷20 mA pressure transducers and cable assemblies

| Name | Range | Part No. | Name | Length | Part No. |
|--------------|----------------|-----------------|---------|--------|----------|
| PT5N-07M / T | -0.8+7 bar (g) | 805350 / 805380 | PT4-M15 | 1.5 m | 804803 |
| PT5N-18M / T | 0+18 bar (g) | 805351 / 805381 | PT4-M30 | 3 m | 804804 |
| PT5N-30M / T | 0+30 bar (g) | 805352 / 805382 | PT4-M60 | 6 m | 804805 |
| PT5N-50M / T | 0+50 bar (g) | 805353 / 805383 | | | |

4.4 Discharge temperature of Digital Scroll

The discharge temperature probe NTC-86k type supplied with Copeland Digital scroll should be used.

4.5 XJ485CX: TTL / RS485 serial converter



The **XJ485CX** is a TTL/RS485 external converter. Insert it into the TTL receptacle to convert the TTL output into a RS485 (+) and (-) signal for the monitoring system MODBUS_RTU compatible. (XWEB).

5. WIRING & ELECTRICAL CONNECTIONS

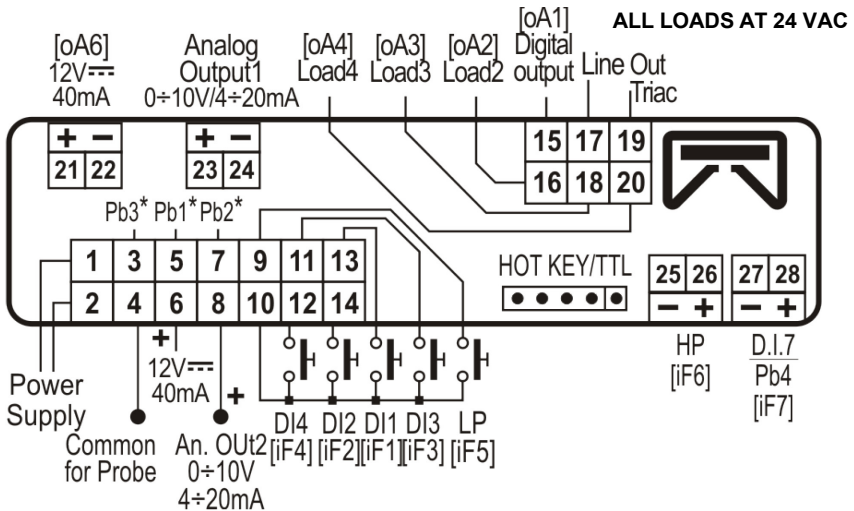
5.1 General warnings

Before connecting cables make sure the power supply complies with the instrument's requirements.

Separate the probe cables from the power supply cables, from the outputs and the power connections.

Do not exceed the maximum current allowed on each relay 3A resistive, see also Technical Features, in case of heavier loads use a suitable external relay.

5.2 Wiring connections



- Always use a class 2 transformer with minimum power 5 VA such as TF5.
- Terminals [21-22], [23-24], [25-26], [27-28] are provided with JST 2 PINS connectors, they require the CABJC15 (1.5 m) or CABJC30 (3 m) wiring cables.

5.3 Probe connection

5.3.1 General warnings

If using terminal ends be sure there are no bare parts which could cause short circuiting or introduce noise disturbance at high frequencies. To minimize the induced disturbances, use shielded cables with the shield connected to earth.

Pressure probe (4 - 20 mA): respect the polarity. If using terminal ends be sure there are no bare parts which could cause short circuiting or introduce noise disturbance at high frequencies. To minimize the induced disturbances, use shielded cables with the shield connected to earth.

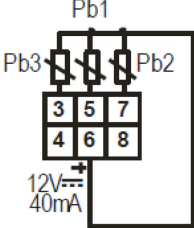
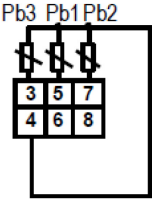
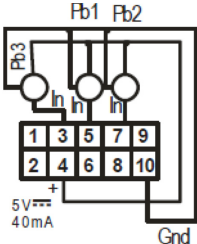
Temperature probe: it is recommended to place the temperature probe away from direct air streams to correctly measure the temperature.

5.3.2 Probe wirings

Low voltage side (14 PINs connector): Keep the cables away from the power cables. Use shielded cable to lengthen the cables.

NOTE1: The PIN 4 is the common line for the temperature probes.

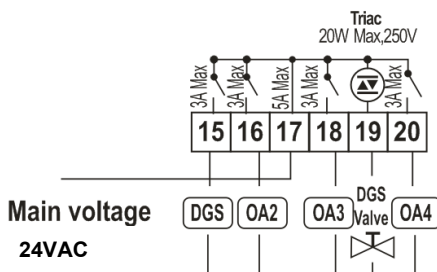
NOTE2: The PIN 6 gives a 12VDC supply for the 4-20 mA pressure transducers.

| | |
|--|---|
| <p>PP07 PP11, PP30, PP50 4 - 20 mA pressure transducers respect the polarity. Suction (P1C = Cur) Brown (+) to terminal 6; white (-) to terminal 5 Condenser (P2C = Cur) Brown (+) to terminal 6; white (-) to terminal 7</p> |  |
| <p>Temperature probes (NTC 10 K) Suction: 4 - 5 (P1C = NTC) Condenser: 4 - 7 (P2C = NTC) Pb3: (P3C = NTC): 4 - 3 Pb4: (P4C = Nt10) 27 - 28</p> |  |
| <p>Ratiometric transducers (0.5 - 4.5 VDC) Suction (P1C = 0-5) 5 (In); 4(+); 10 (gnd) Condenser (P2C = 0-5) 7 (In); 4(+); 10 (gnd)</p> |  |

5.4 Load connections

!!!WARNING: Digital Scroll valve coil MUST operate at main voltage (24 VAC)!!

NOTE: Main voltage side (6 PINs connector): the PIN 17 is the common line for all the relay outputs and for the TRIAC.



5.5 Safety and configurable digital inputs – free voltage

5.5.1 Loads safety inputs

!!!WARNING: free voltage inputs!!!!

Controller has 7 configurable digital inputs, **free voltage**.

Each digital input can be set by the related parameter iF01 - iF07.

The digital inputs are factory pre-set to operate as safety input for loads and as HP and LP. This input has to collect the status of the safety devices related to the compressor such as thermistors, pressure switches etc.

When this input is activated the correspondence, load is switched off and not considered for the regulation.

The correspondence between loads (compressors or fans) and safety inputs is the following:

| LOAD | TERMINALS | INPUT | TERMINALS | SETTING |
|--------|-----------|-------|-----------|------------|
| Load 1 | 15-17 | Di1 | 10-13 | iF01 = oA1 |
| Load 2 | 16-17 | Di2 | 10-14 | iF02 = oA2 |
| Load 3 | 18-17 | Di3 | 10-11 | iF03 = oA3 |
| Load 4 | 20-17 | Di4 | 10-12 | iF04 = oA4 |
| Load 6 | 21-22 | Di7 | 27-28 | iF07 = oA6 |

5.5.2 Circuit with 1 SUCTION and 1 CONDENSER: HP – LP Pressure switch connections

The controller is preset to manage also the **low-pressure switch** and the **high-pressure switch**, both the inputs are **free voltage**.

Connect the pressure switches as described in the following table:

| PRESSURE SWITCH | INPUT | TERMINALS | SETTING |
|-----------------|-------|-----------|------------|
| LP | Di5 | 10-9 | iF05 = LP1 |
| HP* | Di6 | 25-26 | iF06 = HP |

Note: *) The digital input 6 (25-26) requires the adapter CABJC15 or CABJC30 to be used.

See par. **Error! Reference source not found. Error! Reference source not found.**

5.5.3 Additional function of the digital input 7 (27-28)

The digital input 7 can operate also as probe. To enable this function set P4C as NTC or PTC.

5.6 Analog output connection

The controller supplies up to 2 analog outputs, terminals, kind of output and functionality are shown in the following table

| | TERMINALS | RELATED PARAMETER |
|-----------------|----------------|--|
| Analog output 1 | 23[+] - 24[-]. | AOC : Kind of signal (4 - 20 mA/ 0 - 10 V) AOF : function |
| Analog output 2 | 8[+] - 10[-]. | 2AOC : Kind of signal (4 - 20 mA/ 0 - 10 V) 2AOF : function |

5.7 How to connect monitoring system - RS485 Serial line

The EC2-XC645CX can be connected to a monitoring system thanks to the serial output.

To convert the TTL to RS485 signal, the XJ485CX has to be used.

The XJ485CX is a TTL/RS485 external converter. Insert it into the TTL receptacle to convert the TTL output into a RS485 (+) and (-) signal for the monitoring system MODBUS_RTU compatible. (XWEB).

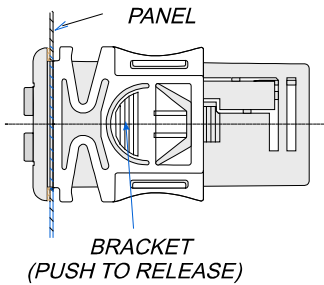
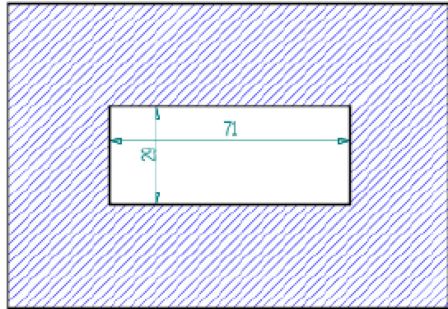
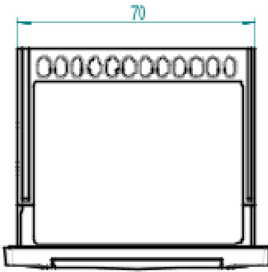
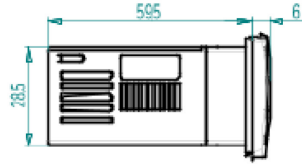
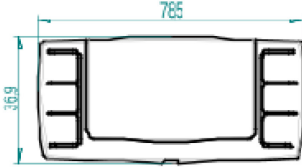
The **Adr** parameter is the number to identify each electronic board. **Address duplication is not permitted**, in this case the communication with monitoring system is not guaranteed (the **Adr** is also the ModBUS address).

6. MOUNTING & INSTALLATION

The instruments are suitable only for internal use. Instruments shall be mounted on panel, in a 29 x 71 mm hole, and fixed using the special brackets supplied.

The ambient operating temperature range is between -10 - 60°C.

Avoid locations subject to heavy vibration, corrosive gases or excessive dirt. The same applies to the probes. Ensure ventilation around the instrument.



7. FIRST INSTALLATION

At first installation, it's necessary the following:

1. **Select the kind of gas.**
2. **Set the range of the pressure probes.**

In the following paragraph a short cut for the above operations.

Chapters 11 Parameters programming and 17 will show in detail these operations.

7.1 How to set the kind of gas

The controller has memorized the relation between temperature and pressure for some gases.

The pre-set gas is: R448A. (FtyP = 448)

If another gas is used, act as in the following:

1. Enter the Programming mode by pressing the **Set** and **DOWN** key for 3 seconds.
2. Select the "**Pr2**" parameter. Then enter the password **3 2 1 0**.
3. Select the **FtyP, kind of gas**, parameter.
4. Press the "**SET**" key: the value of the parameter will start blinking.

5. Use "**UP**" or "**DOWN**" to change the gas among the following:

r22 = R22 134 = R134 404 = R404A 407A = R407A 407C = R407C 407F = R407F
410 = R410 507 = R507 CO2 = CO₂ r32 = R32 290 = R290 448 = R448A
449 = R449A 450 = R450A 452 = R452 513 = R513 1234 = R1234ze

6. Press "**SET**" to store the new value and move to the following parameter.

EXIT: Press **SET + UP** or wait 30s without pressing a key.

NOTE: The set value is stored even when the procedure is excited by waiting the time-out to expire.

7.2 How to set the range of the pressure probes

If an instrument with the following part number is used: EC2-XC645CX – xxxxF, it is pre-set to work with pressure probe with the following range:

Probe 1: -0.5 -11.0 bar (relative pressure);

Probe 2: 0 - 30.0 bar (relative pressure)

If the probes you're using have a different range act as in the following:

To set the pressure range of the **Probe 1 (suction probe)** use the parameter:

PA04: Adjustment of read out corresponding to 4 mA (0.5 V)

PA20: Adjustment of read out corresponding to 20 mA (4.5 V)

To set the pressure range of the **Probe 2 (condenser probe)** use the parameter:

FA04: Adjustment of read out corresponding to 4 mA (0.5 V)

FA20: Adjustment of read out corresponding to 20 mA (4.5 V)

Practically these parameters have to be set with the start and end scale of the probe range.

How to do:

1. Enter the Programming mode by pressing the **Set** and **DOWN** key for 3 seconds.
2. Select the "**Pr2**" parameter. Then enter the password **3 2 1 0**.
3. Select the **PA04, adjustment of read out corresponding to 4 mA (0.5 V)**, parameter.
4. Press the "**SET**" key: the value of the parameter will start blinking.
5. Set the lower value of the probe range.
6. Push the **SET** key to confirm the value. The **PA20: adjustment of read out corresponding to 20 mA (4.5 V)** parameter will be displayed.
7. Set the higher value of the range.
8. Push the **SET** key to confirm the value. Next parameter will be displayed.

Do the same things for the Probe 2, **FA04, FA20** parameters.

8. USER INTERFACE



8.1 Displaying

| UPPER DISPLAY | LOWER DISPLAY | ICONS |
|---------------------------------|-----------------------------------|--|
| Suction temperature or pressure | Discharge temperature or pressure | - Working loads - Measurement unit - Alarm or status Icons |

8.2 Keyboard

SET (SET)

Standard visualization: to see or modify the set point. In programming mode it selects a parameter or confirms an operation.

Alarm menu: By holding it pressed for **3s**, the current alarm is erased.

o (UP).

In programming mode: it browses the parameter codes or increases the displayed value.

With Hot key inserted: it starts the Hot key programming procedure.

To access the INFO menu: push and release it to access the INFO menu.

n (DOWN)

In programming mode: it browses the parameter codes or decreases the displayed value.



Manual restart of loads: By holding it pressed for **3s**, it switches on again loads previous locked by a safety digital input alarm.



MAINTAINANCE/CLOCK: To display the loads running hours.

By holding it pressed for 3s the **Maintaining menu** is entered



To enter the Alarm menu

















KEY COMBINATIONS

o + n To lock and unlock the keyboard.

SET + n To enter the programming mode.

SET + o To exit the programming mode.

8.3 Icons

| LED | FUNCTION | MEANING |
|---|----------|--|
| °C | ON | Celsius degrees |
| °F | ON | Fahrenheit degrees |
| bar | ON | bar displaying |
| PSI | ON | PSI displaying |
| kPa | ON | KPA displaying |
|  | ON | Digital scroll compressor (DGS) on |
|  | Flashing | DGS is waiting to start (1HZ) or digital input alarm for DGS (2Hz). or DGS in maintenance status (2Hz). |
|  | ON | Load 2 on |
|  | Flashing | Load 2 is waiting to start (1HZ), or digital input alarm for Load 2 (2Hz). or Load 2 in maintenance status (2Hz). |
|  | ON | Load 3 on |
|  | Flashing | Load 3 is waiting to start (1HZ), or digital input alarm for Load 3 (2Hz). o Load 3 in maintenance status (2Hz). |
|  | ON | Load 4 on |
|  | Flashing | Load 4 is waiting to start (1HZ), or digital input alarm for Load 4 (2Hz). o Load 4 in maintenance status (2Hz). |
|  | ON | Load 6 on |
|  | Flashing | Load 6 is waiting to start (1HZ), or digital input alarm for Load 6 (2Hz). o Load 6 in maintenance status (2Hz). |
|  | ON | The valve of the Digital scroll compressor is energized |
|  | ON | The Maintenance menu has been entered |
|  | Flashing | One or more loads have been placed in maintenance status |
| LP | ON | Low pressure switch alarm |
| HP | ON | High pressure switch alarm |
|  | ON | Alarm is happening |
|  | ON | All the stored alarms have been seen. |
|  | Flashing | A new alarm has happened |

9. HOW TO SEE AND MODIFY THE SET POINT(S)

9.1 How to see the set point of compressors and/or fans

If the controller is managing both compressors and fans, both the set points are displayed in sequence, otherwise only the set point of the enabled section will be displayed.

PROCEDURE

1. Push and release the **SET** key;
2. The Lower display will show the “**SEtC**” label, the Upper display will show its value.
3. To see the fan set point, push again the **SET** key.
4. The Lower display will show the “**SEtF**” label, the Upper display will show the fan set point.

EXIT: Push the **SET key** or wait for 30 without pressing any keys.

9.2 How to modify the set point of compressors and/or fans

!!! WARNING: before setting the target set points for the first time, check and, if necessary, modify the type of refrigerant (par. FtyP) and the default unit of measurement (par. dEU) for compressors and fans !!!

PRE-ACTION

1. Set the kind of refrigerant by means of the FtyP parameter (see 7.1 How to set the kind of gas)
2. Set the measurement unit (dEU par.).
3. Check and if necessary, modify the set point limit (LSE and HSE par.).

PROCEDURE

1. Push the **SET** key for more than 2 seconds.
2. The Lower display will show the “**SEtC1**” label, the Upper display will show its value flashing.
3. To change the suction set point value, push the **o** or **n** within 30 seconds.
4. To memorize the new value and pass to the fan set point, push the **SET** key.
5. If the second circuit is enabled the Lower display will show the “**SEtC2**” label, the Upper display will show its value flashing.
6. To change the suction set point value, push the **o** or **n** within 30 seconds.
7. To memorize the new value and pass to the fan set point, push the **SET** key.
8. The Lower display will show the “**SEtF**” label, the Upper display will show the fan set point flashing.
9. To change its value, push the **o** or **n** within 30 seconds.

EXIT: Push the **SET** key or wait for 30 without pressing any keys.

10. THE INFO MENUE

The controller can display some information directly from the main menu.
The INFO menu is accessible by pushing and releasing the **UP** key:

Here below the list of the information that can be displayed:

NOTE: This information is displayed only if the related function is enabled

- P1t:** temperature value of the P1 probe
- P1P:** pressure value of the P1 probe
- P2t:** temperature value of the P2 probe
- P2P:** pressure value of the P2 probe (if P2 present)
- P3t:** temperature value of the P3 probe (if P3 present)
- P3P:** pressure value of the P3 probe (if P3 present)
- P4t:** temperature value of the P4 probe (if P4 present)
- LinJ:** status of the injection output (“On” – “OFF”)
This information is available only if one relay, oA2 +oA6 is set as “Lin”.
- SEtd:** Value of the **Dynamic Set point**. This information is available only if the Dynamic set point function is enabled (par. dSEP ≠ nP)
- dSto:** Percentage of the PWM output driving the valve of the Digital compressor.
- dSFr:** value of temperature or pressure when the regulation filter of Digital compressor is enabled (par. dFE = YES).
The “regulation filter” function calculates the average value of the pressure/temperature during a PWM cycle and uses this value for the control algorithm.
- AO1:** Percentage of the analog output 1 (4 – 20 mA or 0 – 10 V).
This information is always available.

AO2: Percentage of the analog output 2 (4 - 20 mA or 0 - 10 V).

This information is always available.

SSC1: **Supervising Set for circuit 1**, if supervising system is sending the set point to the controller

SStF: **Supervising Set for fan** if supervising system is sending the set point to the controller

SH: **Superheat**

EXIT: Push the **SET+UP** keys together.

11. PARAMETER PROGRAMMING

11.1 How to enter the “Pr1” parameter list

To enter the “Pr1” parameter list, user accessible, operate as follows:

1. Hold pressed the **SET** and **DOWN** key for 3 seconds.
2. The controller displays the name of the parameter in the Lower display, its value on the Upper display.
3. Press the **“SET”** key: the value of the parameter will start blinking.
4. Use **“UP”** or **“DOWN”** to change the value.
5. Press **“SET”** to store the new value and move to the following parameter.

EXIT: Press **SET + UP** or wait 30 seconds without pressing a key.

NOTE: The set value is stored even when the procedure is excited by waiting the time-out to expire.

11.2 How to enter in parameter list “Pr2”

The “Pr2” parameter list is protected by a security code (Password).

SECURITY CODE is 3210

To access parameters in “Pr2”:

1. Enter the “Pr1” level.
2. Select “Pr2” parameter and press the **“SET”** key.
3. The flashing value “0 ---” is displayed.
4. Use **o** or **n** to input the security code and confirm the figure by pressing **“SET”** key.
5. Repeat operations 2 and 3 for the other digits.

NOTE: Each parameter in “Pr2” can be removed or put into “Pr1” (user level) by pressing **“SET”** + **n** . When a parameter is present also in “Pr1” decimal point of the lower display is on.

11.3 How to change parameter values

1. Enter the Programming mode.
2. Select the required parameter with **o** or **n** .
3. Press the **“SET”** key the value start blinking.
4. Use **o** or **n** to change its value.
5. Press **“SET”** to store the new value and move to the following parameter.


EXIT: Press **SET + UP** or wait 15 s without pressing a key.

NOTE: The new programming is stored even when the procedure is excited by waiting the time-out.

12. HOW TO DISABLE AN OUTPUT

To disable an output during a maintenance session means to exclude the output from the regulation.

12.1 How to disable an output during a maintenance session.

1. Push the **MAINTENANCE/CLOCK** () key for 3 seconds.
2. The LED's of the first output is switched on, the Lower display shows the “**StA**” label, while the Upper display shows the “**On**” label if the first output is enabled, or the “**OFF**” label if the output is disabled for a maintenance section.
With compressor with more steps all the LED's linked to the compressor and the valves are switched on.
3. Select the output by pressing the **UP** or **DOWN** key.
4. **To modify the status of the output:** push the **SET** key, the status of the output starts flashing, then push the UP or DOWN to pass from “**On**” to “**OFF**” and vice versa.
5. Push the **SET** key to confirm the status and pass to the next output.

EXIT: Push the **CLOCK** key or wait 30 seconds.

12.2 Output disabled signaling.

If an output is disabled, its led blinks (2 Hz)

12.3 Regulation with some outputs disabled.


If some outputs are disabled, they do not take part to the regulation, so the regulation goes on with the other outputs.

13. Running hours of loads

13.1 How to display the running hours of a load.

The controller memorizes the running hours of each load.

To see how long a load has been working follow this procedure:

1. Press and release the “**MAINTENANCE/CLOCK** ()” key.
2. The LED of the first output is switched on, the Upper Display shows the “**HUR**” label, while the Lower Display shows the shows the running hours of the first output.
3. To see the running hours of the following load press the UP key.

EXIT: Push the  key or wait 30 seconds.

13.2 How to reset the running hours of a load.

1. Display the running hour according to the above procedure.
2. Select the load by pressing the UP key.
3. Push the **SET** key (immediately on the lower display the **rSt** label is displayed).
4. Hold pushed the key for some seconds till the “**rSt**” label starts flashing and the lower display shows zero.


EXIT: Push the **CLOCK** key or wait 30 seconds.

NOTE: If the **SET** key is released within 2 seconds, the controller reverts to display the running hours of the selected loads.

14. ALARM MENUE

The controller memorizes the last 20 alarms happened, together with their duration. To see the alarm codes, see par. **par. 18.4.**

14.1 How to see the alarms

1. Push the  **Alarm** key.
2. The last alarm happened is showed on the Upper display, while the lower display shows its number.
3. Push again the **o** key and the other alarm are displayed starting from the most recent.
4. To see the alarm **duration** and push the **SET** key.
5. By pushing again the **o** or **SET** key the next alarm is displayed.

Alarms erasing.

1. Enter the Alarm Menu.
2. To erase the displayed alarm push the "**SET**" key till the "rSt" label will be displayed in the Lower Display,

NOTE: The running alarms cannot be erased.

3. To erase the whole Alarm Menu, hold pressed the "**SET**" key for 10 seconds.

15. KEYBOARD LOCKING

15.1 How to lock the keyboard

1. Keep the **o** and **n** keys pressed together for more than 3 s the **o** and **n** keys.
2. The "POF" message will be displayed, and the keyboard is locked. At this point it is only possible to view the set point or enter the HACCP menu.

15.2 To unlock the keyboard

Keep the **o** and **n** keys pressed together for more than 3s till the "**POn**" flashing message appears.

16. USE OF THE PROGRAMMING “HOT KEY”

16.1 How to program a hot key from the instrument (UPLOAD)

1. Program one controller with the front keypad.
2. When the controller is ON, insert the “Hot key” and push **o** key; the “uPL” message appears followed a by flashing “End”
3. Push “SET” key and the **End** will stop flashing.
4. Turn OFF the instrument remove the “Hot Key”, then turn it ON again.

NOTE: The “Err” message is displayed for failed programming. In this case push again **o** key if you want to restart the upload again or remove the “Hot key” to abort the operation.

16.2 How to program an instrument using a hot key (DOWNLOAD)

1. Turn OFF the instrument.
2. Insert a **programmed “Hot Key” into the 5 PIN receptacle** and then turn the Controller ON.
3. Automatically the parameter list of the “Hot Key” is downloaded into the Controller memory, the “doL” message is blinking followed a by flashing “End”.
4. After 10 seconds the instrument will restart working with the new parameters.
5. Remove the “Hot Key”.

NOTE: The message “Err” is displayed for failed programming. In this case turn the unit off and then on if you want to restart the download again or remove the “Hot key” to abort the operation.

The unit can UPLOAD or DOWNLOAD the parameter list from its own E2 internal memory to the “Hot Key” and vice-versa.

17. LIST OF PARAMETERS

17.1 Plant dimensioning and type of regulation.

The EC2-XC645CX is pre-set to drive a Digital Scroll compressor.

The relay 15-17 is set to manage the Digital compressor, while the TRIAC output 17-19 drives its solenoid valve.

oA1 (term. 15-17), oA2 (term. 16-17), oA3 (term. 17-18), oA4 (term. 17-20), oA6 (term. 21-22) outputs 2 3 4 6 configuration: by means of these parameters the plant can be dimensioned according to the number and type of compressors and/or fans and the number of steps for each one.

Each relay according to the configuration of the oA(i), where (i) = 1, 2, 3, 4, 5, 6 parameters can work as:

- **Not used:** oA(i) = nu
- **Compressor circuit1:** oA(i) = cPr1,
- **Digital compressor:** oA1 = dGS
- **Blocked bank for Digital Stream® 6D:** oA(i) = 6dG
- **Step:** oAi = StP
- **Fan:** oAi = FAn
- **Fan with inverter/ECI fan:** oA(i) = InF
- **Injection of cooling liquid:** oAi = Lin
- **Alarm:** oAi = ALr
- **Flood protection function:** oA(i) = Liq
- **Valve for hot gas injection in case of low superheat:** oA(i) = HGi

NOTE: Also the “cPr2”, “InC2”, “dGs”, “inC1”, and “dGS” values are present. These values **must not** be used.

According to the oA2, oA3, oA4, oA6 configuration, 2 kinds of plant can be defined:

Rack with compressors only: all the oAi different from FAn and inF

Rack with compressors and fans: both FAn and CPr are used for oAi.

NOTE: COMPRESSOR WITH STEPS CONFIGURATION: the output of compressor has to be set before the output of the step.

ES. Compressor with 1 step: **oA2 = cPr1, oA3= StP.**

If an oAi set as step without any previous oAi set as cPr the configuration alarm “CStP” will be activated.

PLANT CONFIGURATION EXAMPLES:

| | |
|---|--|
| <p>Plant with 2 compressors (one of them digital) e 2 fans: oA1 = dgS oA2 = CPr1 oA3 = FAn oA4 = FAn oA6 = nu</p> | |
| <p>Plant with 4 compressors without fans: oA1 = dgS oA2 = CPr1 oA3 = CPr1 oA4 = CPr1 oA6 = nu</p> | |
| <p>Plant with 1 compressor and 3 fans: oA1 = dgS oA2 = FAn oA3 = FAn oA4 = FAn oA6 = nu</p> | |

dGty Kind of digital compressor**SCrL** = Digital Scroll: the range of capacity modulation starts from 10% to 100%**StrM** = Digital Stream: the range of capacity modulation starts from 0% to 100%**StP Valve outputs (unloader) polarity:** polarity of the outputs for capacity valves. It determines the status of the relays associated with the capacity valves (only for homogeneous and stepped-capacity compressors)**oP** = valve activated with open contacts of the relay.**cL** = valve activated with close contacts of the relay.**FtyP Refrigerant type:** set the kind of gas refrigerant used in the plant:

| LABEL | REFRIGERANT | OPERATING RANGE |
|-------|------------------------|-------------------------|
| r22 | R22 | -50 - 60°C; -58 - 120°F |
| 134 | R134A | -70 - 60°C; -94 - 120°F |
| 404A | R404A | -50 - 60°C; -58 - 120°F |
| 407A | R407A | -50 - 60°C; -58 - 120°F |
| 407C | R407C | -50 - 60°C; -58 - 120°F |
| 407F | R407F | -50 - 60°C; -58 - 120°F |
| 410 | R410 | -50 - 60°C; -58 - 120°F |
| 507 | R507 | -70 - 60°C; -94 - 120°F |
| CO2 | R744 - CO ₂ | -50 - 30°C; -58 - 86°F |
| r32 | R32 | -70 - 60°C; -94 - 120°F |
| 290 | R290 - Propane | -50 - 60°C; -58 - 120°F |
| 448 | R448A | -45 - 60°C; -69 - 120°F |
| 449 | R449A | -45 - 60°C; -69 - 120°F |
| 450 | R450A | -45 - 60°C; -69 - 120°F |
| 452 | R452A | -45 - 60°C; -69 - 120°F |
| 513 | R513 | -45 - 60°C; -69 - 120°F |
| 1234 | R1234ze | -18 - 50°C; 0 - 122°F |

Sty Compressors rotation enabling**YES = rotation enabled:** this algorithm distributes the working time between the various compressors to ensure even run times.**no = fixed sequence:** the compressors are enabled and disabled in fixed sequence: first, second etc.**NOTE:** The **digital scroll compressor** is always started as first and switched off as last.

In any case, if it is locked because of safety timers, it can be started to maintain the pressure in the regulation band. See par. dGSP

rot Activation: type of sequence**YES = rotation:** this algorithm distributes the working time between the various loads to ensure even run times.**no = fixed sequence:** the compressors are enabled and disabled in fixed sequence: first, second etc.**NOTE:** The **digital scroll compressor** is always started as first and switched off as last.

In any case, if it is locked because of safety timers, another compressor is started to maintain the pressure in the regulation band.

17.2 Probe configuration

Probes can be used in different ways according to plant features, as described in the following table:

17.2.1 Suction probe configuration

P1c Suction probe setting (probe 1):

nP = not used; don't set it;

Cur = 4 – 20 mA pressure transducer; use term. 6 (+), 5 (in); 10 (gnd) if present

tEn = 0.5 - 4.5 V ratiometric pressure transducer; use term. 4 (+), 5 (in); 10 (gnd)

ntc = NTC 10K probe; use term. 4 - 5

PA04 Adjustment of read out for the Probe 1 (used only if Pbc=Cur or tEn). Corresponding to 4 mA or 0.5 V input signal, given by the suction probe (-1.0 - PA20 bar; -15 - PA20 PSI; -100 - PA20 kPa)

E.I. PP11 relative pressure transducer, range -0.5 - 11.0 bar. PA04 = -0.5; PA20 = 11.0

PP30 relative pressure transducer, range: 0 – 30 bar, PA04 = 0.0; PA20 = 30.0.

PA20 Adjustment of read out for the Probe 1 corresponding to 20 mA or 4.5 V input signal, given by the suction probe (PA04 - 51.0 bar; PA04 – 750 PSI; PA04 – 5100 kPa).

CAL Probe 1 calibration: the range depends on the dEU parameter:

dEU = bar or °C: -12.0 - 12.0;

dEU = PSI or °F: -20 - 20;

dEU = kPa: -120 - 120;

17.2.2 Condenser probe configuration

P2c Condenser probe setting (probe 2):

nP = not used:

Cur = 4 - 20 mA pressure transducer; use term. 6 (+), 7 (in); 10 (gnd)

tEn = 0.5 -4.5 V ratiometric pressure transducer; use term. 4 (+), 7 (in); 10 (gnd)

ntc = NTC 10 K probe; use term. 4 - 7

FA04 Adjustment of read out for the Probe 2 (used only if Pbc2 = Cur or tEn). corresponding to 4 mA or 0.5 V input signal, given by the delivery probe (-1.0 - FA20 bar; -15 - FA20 PSI; -100 - FA20 kPa)

FA20 Adjustment of read out for the Probe 2 corresponding to 20 mA or 4.5 V input signal, given by the condensing probe (FA04 - 51.0 bar; FA04 – 750 PSI; FA04 – 5100 kPa)

FCAL Probe 2 calibration: the range depends on the dEU parameter:

dEU = bar or °C: -12.0 - 12.0;

dEU = PSI or °F: -20 - 20;

dEU = kPa: -120 - 120;

17.2.3 Probe 3 configuration

P3c Probe 3 setting:

nP = not used:

Cur = 4 - 20 mA pressure transducer; use term. 6 (+), 3 (in); 10 (gnd) if present

tEn = 0.5 - 4.5 V ratiometric pressure transducer; use term. 4 (+), 3 (in); 10 (gnd)

10 = NTC 10 K, 86 = NTC 86 K

3P04 Adjustment of read out for the Probe 3 (used only if P3c = Cur or tEn). corresponding to 4 mA or 0.5 V input signal, given by the delivery probe (-1.0 - 3P20 bar; -15 - 3P20 PSI; -100 - 3P20 kPa)

3P20 Adjustment of read out for the Probe 3 corresponding to 20 mA or 4.5 V input signal, given by the condensing probe (3P04 - 61.0 bar; 3P04 – 885 PSI; 3P04 – 6100 kPa)

O3 Probe 3 calibration: the range depends on the dEU parameter:

dEU = bar or °C: -12.0 - 12.0;

dEU = PSI or °F: -20 - 20;

dEU = kPa: -999 - 999;

17.2.4 Probe 4 configuration

P4c Probe 4 setting (22-23):

nP = not used:

nt10 = NTC 10 K 38 - 42

nt86 = NTC 86 K 38 - 42

ntcH = NTC 10 K extended range (150°C)

O4 Probe 4 calibration the range depends on the dEU parameter:

dEU = °C: -12.0 - 12.0;

dEU = °F: -200 - 200;

17.2.5 Probe selection for fan

FPb Probe selection for condenser fan

nP = not used:

P1 = Probe 1

P2 = Probe 2

P3 = Probe 3

17.3 Other input configuration

iF01 Digital input 1 configuration (10 - 13)

nu = Not used: the digital input is disabled.

oA1 = Safety digital input for load 1, term. 15 - 17; (Factory setting);

oA2 = Safety digital input for load 2, term. 16 - 17

oA3 = Safety digital input for load 3, term. 17 - 18

oA4 = Safety digital input for load 4, term. 17 - 20

oA6 = Safety digital input for load 6, term. 21 - 22

inF = Safety digital input of inverter for fan, used when none relay is configured as inverter for fans

LP1 = Low pressure switch

LP2 = low pressure switch, circuit2

HP = High pressure switch

ES = Energy saving;

oFF = instrument shut down;

LL = liquid level alarm

SIL = to enable the silence function

EAL = generic external alarm, it doesn't affect the regulation

Co1 = running proof function for load 1, term. 15 - 17

Co2 = running proof function for load 2, term. 16 - 17

Co3 = running proof function for load 3, term. 17 - 18

Co4 = running proof function for load 4, term. 17 - 20

Co6 = running proof function for load 6, term. 21 - 22

NOTE: Also the following values **oA5**, **Co5**, are present. These values **must not** be used.

iF02 Digital input 2 configuration (10 - 14) – For the values see iF01; Factory setting oA2.

iF03 Digital input 3 configuration (10 - 11) – For the value see iF01; Factory setting oA3.

iF04 Digital input 4 configuration (10 - 12) – For the value see iF01; Factory setting oA4.

iF05 Digital input 5 configuration (9 - 10) – For the value see iF01; Factory setting LP1.

iF06 Digital input 6 configuration (25 - 26) – For the value see iF01; Factory setting HP.

iF07 Digital input 7 configuration (27 - 28) – For the value see iF01; Factory setting LL.

NOTE: Digital input 7 is enabled only when P4C = NP, otherwise it operates as temperature probe

iP01 Digital input 1 polarity (10 - 13):

oP: the digital input is activated by opening the contact.

CL: the digital input is activated by closing the contact.

- iP02 Digital input 2 polarity (10 - 1 4):**
oP: the digital input is activated by opening the contact.
CL: the digital input is activated by closing the contact.
- iP03 Digital input 3 polarity (10 - 11):**
oP: the digital input is activated by opening the contact.
CL: the digital input is activated by closing the contact.
- iP04 Digital input 4 polarity (10 -1 2):**
oP: the digital input is activated by opening the contact.
CL: the digital input is activated by closing the contact.
- iP05 Digital input 5 polarity (9 - 10):**
oP: the digital input is activated by opening the contact.
CL: the digital input is activated by closing the contact.
- iP06 Digital input 6 polarity (25 - 26):**
oP: the digital input is activated by opening the contact.
CL: the digital input is activated by closing the contact.
- iP07 Digital input 7 polarity (27 - 28):**
oP: the digital input is activated by opening the contact.
CL: the digital input is activated by closing the contact.
- d1d Digital input set as oA1 or Co1 activation delay (0 – 255 s.),** This delay it is considered when i1F or i2F or i3F or i4F or i5F or i6F or i7F is set as oA1 or Co1
- d2d Digital input set as oA2 or Co2 activation delay (0 - 255 s),** This delay it is considered when i1F or i2F or i3F or i4F or i5F or i6F or i7F is set as oA2 or Co2
- d3d Digital input set as oA3 or Co3 activation delay (0 - 255 s),** This delay it is considered when i1F or i2F or i3F or i4F or i5F or i6F or i7F is set as oA3 or Co3
- d4d Digital input set as oA4 or Co4 activation delay (0 - 255 s),** This delay it is considered when i1F or i2F or i3F or i4F or i5F or i6F or i7F is set as oA4 or Co4
- d5d Digital input set as oA5 or Co6 activation delay (0 - 255 s),** This delay it is considered when i1F or i2F or i3F or i4F or i5F or i6F or i7F is set as oA5 or Co6
- did Liquid level alarm, signaling delay:** (enabled only if one digital input is set as LL)
0 – 255 min
- didA External alarm, signaling delay:** (enabled only if one digital input is set as EAL)
0 - 255 min
- ALMr Manual reset of alarms for compressors and fans.**
no = automatic recover of alarm: regulation restart when the correspondent digital input is disabled; **yES** = manual recover for the alarms of compressors and fans See also par.20.1.2

17.4 Display and Measurement unit

The measurement unit of the parameters referred to temperature or pressure depends on the parameters dEU, CF and PMU.

NOTE: The controller automatically converts values of set points and parameters referred to the pressure/temperature when the dEU parameter is changed. In any case check the value of the parameters referred to temperature and pressure after changing dEU.

- dEU Selection of the kind of measurement unit: pressure or temperature**
dEU = tMP: the parameters referred to pressure/temperature will be expressed in temperature according to the value of the CF parameter (°C or °F)
dEU = PrS: the parameters referred to pressure/temperature will be expressed in pressure according to the value of the PMU parameter (bar, PSI or kPA)
- CF Measurement unit for temperature:** it is used only with dEU = tMP, and it set the measurement unit for parameters referred to temperature/pressure.
°C = Celsius degree
°F = Fahrenheit degree

- PMU Measurement unit for pressure:** it is used only with dEU = PrS, and it set the measurement unit for parameters referred to temperature/pressure.
bar = bar
PSI = PSI
PA = kPA
- rES Resolution for °C and bar** (in = integer; dE = decimal point)
- dFE Pressure filter enabling:** **YES** = enabled; **no** = not enabled; This filter takes in account the average value of the pressure during the last cycle for the regulation.
- dEU1 Default visualization for upper display:** **PrS** = Pressure; **tPr** = temperature
- dSP2 Probe selection for lower display:** **nu** = display switched off; **P1** = Probe 1; **P2** = Probe 2; **P3** = Probe 3; **P4** = Probe 4; **StC1** = Compressor Set Point; **StC2** = NOT SET
IT; **SetF** = Fan set point
- dEU2 Default visualization for lower display:** **PrS** = Pressure; **tPr** = temperature

17.5 Compressor regulation

- Pbd Proportional band or neutral zone width** (0.1 - 5.0 bar; 0.5 – 30 °C or 1 – 150 PSI; 1 – 50 °F) The band (or zone) is symmetrical compared to the target set point, with extremes: set-Pbd/2 - set+Pbd/2. It is used as proportional band for PI algorithm. The measurement unit depends on the dEU, CF, PMU par.
- rS Proportional band offset:** PI band offset. It permits to move the proportional band of the PI. With **rS = 0** the band is between Set-Pbd/2 - Set+Pbd/2;
- inC Integration time:** (0 – 999 s) PI integration time
- dGSP Digital compressor always activated at first:**
no: other compressors if available are allowed to start when the digital compressor is locked by safety timers. This allows the system to satisfy the cooling demand when the digital compressor is unavailable.
yES: the digital compressor is always started as first. If unavailable due to safety timers the regulation will be locked till timers will be over.
- SUt Start up time:** The digital scroll valve is energized for the SUt when the compressor starts (0 - 3 s)
- tdS Digital scroll cycle time:** (10 - 40 s) it sets the cycle time for the digital scroll (DGS) valve modulation.
- PM DGS minimum capacity** (10 - PMA with dGty = ScrL; 0 - PMA = dGty = StrM): it sets the minimum capacity allowed to the digital compressor.
If digital SCROLL is used dGt = ScrL the allowed range is 10 - PMA
If digital STREAM is used dGt = StrM the allowed range is 0 - PMA
- PMA DGS maximum power** (PM - 100) it sets the maximum capacity allowed to the DGS
- ton DGS at maximum PMA capacity before starting a new load** (0 - 255 s)
- toF DGS at minimum PM capacity before stopping a load** (0 - 255 s)
- MinP Minimum allowed DGS capacity for poor lubrication monitoring** (0 - 100%; with 0 function excluded) If the DGS compressor works for the tMin time with a capacity (in percentage) equal or lower than MinP, it is forced to work at 100 % for the tMAS time in order to restore the right lubrication.
- tMin Maximum DGS functioning time at a capacity lower than MinP, before working at full capacity (PMA)** (1 - 255 min)
- tMAS Time of DGS functioning at maximum capacity (PMA) to restore the right lubrication** (1 - 255 min)
- ESC Energy saving value for compressors:** (-20 - 20 bar; -50 - 50°C) this value is added to the compressor set point.
- onon: Minimum time between 2 following switching ON of the same compressor** (0 - 255 min).
- oFon Minimum time between the switching off of a compressor and the following switching on.** (0 – 255 min).
Note: usually onon is greater than oFon.

- don** Time delay between the insertion of two different compressors (0 - 99.5 min; res. 10 s).
- doF** Time delay between switching off of two different compressors (0 - 99.5 min; res. 10 s)
- donF** Minimum time a stage stays switched ON (0 - 99.5 min; res. 10 s)
- Maon** Maximum time for compressor ON (0 - 24 h; with 0 this function is disabled.) If a compressor keeps staying on for the MAon time, it's switched off and it can restart after the oFon standard time.
- FdLy** “don” delay enabled also for the first call. If enabled, the triggering of the step is delayed for a “don” value, respect to the call. (no = “don” not enabled; **yES** = “don” enabled)
- FdLF** “doF” delay enabled also for the first switching off. It enables the “doF” delay between the request of a release and the actual switching off. (no = “doF” not enabled; **yES** = “doF” enabled)
- odo** Regulation delay on start-up: (0 - 255 s) on switching ON the instrument starts working after the time delay imposed in this parameter.
- LSE** Minimum set point: The measurement unit depends on dEU parameter. It sets the minimum value that can be used for the set point, to prevent the end user from setting incorrect values.
- HSE** Maximum set point: The measurement unit depends on dEU parameter. It sets the maximum acceptable value for set point.

17.6 Liquid injection thermostat

- Lit** Set point (°C) for cooling injection thermostat (0 - 150°C) The reference probe is the P3, the thermostat relay is given by the relay set as **oAi = Lin**.
- Lid** Differential for cooling injection thermostat (0.1 - 10.0) The reference probe is set by LiPr parameter.
- LiPr** Probe for cooling injection thermostat:
nP: function disabled
P3: probe P3 (term. 3 - 4)
P4: probe P4 (term. 22 - 23)

17.7 Fans regulation

- Pb** Proportional band zone width (0.10 - 5.00 bar; 0.5 – 30 °C or 1 – 80 PSI; 1 – 50 °F). Set the dEU par. and the target set point for fans before setting this parameter. The band is symmetrical compared to the target set point, with extremes: $SETF + Pb / 2 - SETF - Pb / 2$. The measurement unit depends on the dEU par.
- ESF** Energy saving value for fans: (-20 – 20 bar; -50 – 50 °C) this value is added to the fans set point.
- PbES** Band offset for fan regulation in ES (-50.0 - 50.0°C; -90 - 90°F; -20.0 - 20.0 bar; -300 – 300 PSI; -2000 – 2000 kPA). During energy saving
- Fon** Time delay between the insertion of two different fans (0 - 255 s).
- FoF** Time delay between switching off of two different compressors (0 – 255 s)
- LSF** Minimum set point for fan: The measurement unit depends on dEU parameter. It sets the minimum value that can be used for the set point, to prevent the end user from setting incorrect values.
- HSF** Maximum set point for fan: The measurement unit depends on dEU parameter. It sets the maximum acceptable value for set point.

17.8 Alarms – compressor section

- PAo Alarm probe exclusion at power on.** it is the period starting from instrument switch on, before an alarm probe is signaled. (0 - 255 min). During this time if the pressure is out of range all the compressors are switched on.
- LAL Low pressure (temperature) alarm – compressor section:** The measurement unit depends on dEU parameter: (PA04 – HAL bar; -50.0 - HAL °C; PA04 - HAL PSI; -58 - HAL °F) It's **independent** from the set point. When the value **LAL** is reached the A03C alarm is enabled, (possibly after the **tAo** delay time).
- HAL High pressure (temperature) alarm– compressor section:** The measurement unit depends on dEU parameter: (LAL - PA20 bar; LAL - 150.0 °C; LAL - PA20 PSI; LAL – 302 °F). It's **independent** from the set point. When the value HAL is reached the A04C alarm is enabled, (possibly after the **tAo** delay time).
- tAo Low and High pressure (temperature) alarms delay– compressor section:** (0 – 255 min) time interval between the detection of a pressure (temperature) alarm condition and alarm signaling.
- ELP Electronic pressure switch threshold:** (-50°C - SETC; -58°F - SETC; PA04 - SETC); Pressure / Temperature value at which all the compressors are switched off. It has to be set some degrees above the mechanical low pressure switch value, in order to prevent mechanical low-pressure activation.
- SER Service request:** (1 - 9990 hours, res. 10h) number of running hours after that the “A14” maintenance call is generated.
- PEn Low pressure-switch intervention numbers:** (0 - 15). If the low pressure-switch is enabled PEn times in the PEI interval, the controller is locked. **Only the manually unlocking is possible.** See also the alarms table at paragraph 20 Every time the pressure-switch is enabled all the compressor are turned off.
- PEI Pressure-switch interventions time** (0 - 15 min) Interval, linked to the PEn parameter, for counting interventions of the low pressure-switch..
- SPr number of steps engaged with faulty probe.** (0 - #compr).

17.9 Alarms – DLT section

- dtL DGS discharge line alarm temperature** (0 - 180 °C; 32 - 356 °F). If the probe 3 is used to detect the temperature of the discharge line of the DGS compressor, the compressor is switched off when this threshold is reached.
- dLd DGS discharge line temperature alarm delay** (alarm always referred to P3 probe) (0 - 15 min)
- dLH DGS discharge line alarm reset differential** (alarm always referred to P3 probe) (0.1 - 25.5°C; 1 - 50°F)
- dtLi Probe selection for the discharge line temperature monitoring:**
nP: function disabled.
P3: probe P3 (term. 3 - 4)
P4: probe P4 (term. 22 - 23)
- dtLP Digital Compressor Capacity percentage in case of discharge line temperature alarm** (0 – 80 %; with 0 the compressor is stopped)
- dtLF Compressors OFF in case of discharge line temperature alarm** (no, yes)

17.10 Alarms – fans section

- LAF Low pressure alarm – fans section:** The measurement unit depends on the dEU parameter: (FA04 – HAF bar; -50.0 – HAF °C; FA04 – HAF PSI; -58 – HAF °F) It's independent from the set point. When the value LAF is reached the LA2 alarm is enabled, (possibly after the **AFd** delay time).

- HAF High pressure alarm – fans section:** The measurement unit depends on the dEU parameter: (LAF - FA20 bar; LAF - 150.0 °C; LAF - FA20 PSI; LAF – 302 °F). It's independent from the set point. When the value HAF is reached the HA2 alarm is enabled, (possibly after the **AFd** delay time).
- AFd Low- and High-pressure alarms delay – fans section:** (0 - 255 min) time interval between the detection of a pressure alarm condition in the fans section and alarm signaling.
- HFC Compressors off with high pressure (temperature) alarm for fans**
no = compressors are not influenced by this alarm
yES = compressors are turned off in case of high pressure (temperature) alarm of fans
- HFdP Digital Compressor Capacity percentage in case of high condenser pressure (temperature) alarm** (0 - 80 %; with 0 the compressor is stopped)
- dHF Interval between 2 compressors turning off in case of high pressure (temperature) alarm for fans** (0 - 25 s)
- PnF High pressure-switch intervention numbers – fans section:** (0 - 15 with 0 the manually unlocking is disabled) if the high pressure-switch is enabled PnF times in the PiF interval, the controller is locked. **It can be unlocked only manually.** See paragraph 20. Every time the pressure-switch is enabled all the compressors are turned off and all the fans are turned on.
- PiF Pressure-switch interventions time – fans section** (1 - 15 min) Interval, linked to the PEn parameter, for counting interventions of the high pressure-switch..
- FPr Number of fans engaged with faulty probe.** (0 - #fans).

17.11 Suction superheat

- ASH0 Differential for low superheat pre-alarm.** (0.1 - 30.0 °C/ 1 – 60 °F).
 The low superheat pre-alarm warning is sent when the superheat (SH) is lower than ASH2 (low superheat alarm threshold) + ASH0, possibly after the ASH1 delay.
- ASH1 Delay for signalling low superheat pre-alarm** (0 - 255 s)
 If the superheat is below the ASH2+ASH0 threshold for ASH1 time the low superheat pre-alarm warning is sent.
- ASH2 Low suction superheat alarm threshold** (0.1 - 15.0°C/ 1 - 30°F). With SH < ASH2 the low superheat alarm is sent, possibly after the ASH3 delay
- ASH3 Delay for signalling low superheat alarm** (0 - 255 s)
 If the superheat is below the ASH2 threshold for ASH3 time the low superheat alarm message is sent.
- ASH4 Switching off compressors with low superheat alarm** (No, Yes)
 ASH4 = no: compressors keep on working even with low superheat alarm.
 ASH4 = yES: compressors are stopped in case of low superheat alarm.
- ASH5 Differential to restart regulation after of low superheat alarm with compressor stop** (0.1 - 15.0 °C/ 1 - 30 °F). In case of regulation stop (ASH4 = yES), it restarts when SH > ASH2+ASH5
- ASH6 Delay to restart regulation after superheat > ASH2+ASH5** (0 - 255 min). If the regulation is stopped because of low superheat alarm, it can restart when SH>ASH2+ASH5 for the ASH6 time.
- ASH7 Superheat value to enable hot gas injecting valve** (0.1 - 15.0 °C/ 1 - 30 °F)
 With a relay set as hot gas injection valve, (oA2 or oA3 or oA4 = HGi), the relay is on with SH < ASH7 – ASH8.
- ASH8 Differential for ASH7** (0.1 - 30.0 °C/ 1 - 60 °F)
- ASH9 Probe selection for superheat monitoring** (nP, P3, P4)
ASH9 = nP no superheat control
ASH9 = P3 the probe to calculate the superheat (SH) is the probe P3 (term. 38 - 42)
ASH9 = P4 the probe to calculate the superheat (SH) is the probe P4 (term. 22 - 23). In this case also the parameter **P4C** must be set as **nt10** or **nt86**.

17.12 Dynamic set point for fan

dSEP Dynamic set point reference probe

nP = no probe: dynamic set point disabled.

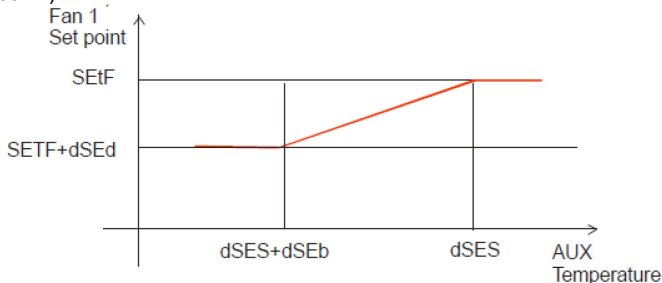
P3 = P3 probe

P4 = P4 probe

dSES External temperature value to start dynamic regulation (-50 – 150 °C; -58 – 302 °F)

dSEb External band width for dynamic set point (-50.0 - 50.0 °C; -90 – 90 °F)

dSEd Set point differential for dynamic set point: (-20.0 - 20.0 °C; -50.0 - 50.0 PSI; -300 – 300 °F)



17.13 Analog outputs (optional) - Terminals 23-34

AoC Analog output setting

tEn = 0 – 10 V output

cUr = 4 - 20 mA output

AOF Analog output function

nu = analog output disabled.

Inc1 = not set it.

Inc2 = To drive inverter for suction frequency compressor, suction of circuit 2

inF = to drive ECI fan or inverter for fan

FrE = "Free", proportional to the probe P3 and P4.

InCP Digital compressor always activated at first:

no: other compressors if available are allowed to start when the inverter compressor is locked by safety timers. This allows the system to satisfy the cooling demand when the inverter compressor is unavailable.

yES: the inverter compressor is always started as first. If unavailable due to safety timers the regulation will be locked till timers will be over.

AOP Probe for analog output: It is used only if AOP = FrE

nP = no probe

P3 = Probe 4

P4 = Probe 3

LAO Temperature value associated to minimum value of analog output (AOM)

(-50.0 - 150.0 °C, -58 – 302 °F).

UAO Temperature value associated to the maximum value of analog output, 10 V or 20 mA (-50.0 - 150.0 °C, -58 – 302 °F).

AOM Minimum value for analog output (0 – 100 %)

AOt Time of analog output at max after the start (0 - 15 s)

MPM Maximum % variation per minute: (nu; 1 - 100)

nu = not used: function disabled

1 - 100 = it sets the maximum percentage variation per minute of the analog output.

SAO Percentage of analog output in case of probe failure: (0 - 100 %)

AOH Maximum analog output percentage when silence mode function is enabled. (0 - 100)

17.14 Analog output 2 (optional) – Terminals 8-10

2AoC Analog output 2 setting

tEn = 0 – 10 V output

cUr = 4 – 20 mA output

2AOF Analog output 2 function

nu = analog output 2 disabled

Inc1 = not set it

Inc2 = = To drive inverter for suction frequency compressor, suction of circuit 2

inF = to drive ECI fan or inverter for fan

FrE = "Free", proportional to the probe P3 and P4.

2AOP Probe for analog output 2: It is used only if AOP = FrE

nP = no probe

P3 = Probe 4

P4 = Probe 3

2LAO Temperature value associated to minimum value of analog output 2 (2AOM)

(-50.0 - 150.0 °C, -58 – 302 °F).

2UAO Temperature value associated to the maximum value of analog output 2, 10V or

20mA (-50.0 - 150.0 °C, -58 – 302 °F).

2AOM Minimum value for analog output 2 (0 – 100 %)

2AOt Time of analog output 2 at max after the start (0 – 15 s)

2MPM Maximum % variation per minute for analog output 2: (nu; 1 - 100)

nu = not used: function disabled

1 - 100 = it sets the maximum percentage variation per minute of the analog output.

2SAO Percentage of analog output 2 in case of probe failure: (0 – 100 %)

2AOH Maximum analog output 2 percentage when silence mode function is enabled (0 - 100)

17.15 Other

tbA **Alarm relay silencing:** by pushing one of the keypad buttons. **No** = alarm relay stays on; **yES** = alarm relay is switched off by pushing any keys.

OAP **Alarm relay output polarity:** **cL** = closed when activated; **oP** = opened when activated

oFF **Switching ON/OFF enabling from keyboard:** (**no** = disabled; **yES** = enabled) It permits the switching ON/OFF of the instrument by pressing the SET key for more than 4 s.

bUr Buzzer enabling

no = the buzzer is not used in case of alarm

yES = buzzer is used in case of alarm

Adr **Serial address** (1 - 247); It is used in monitoring system.

rEL **Software release** for internal use.

SrL **Sub-Release firmware** for internal use.

Ptb **Parameter table code:** readable only.

Pr2 **Access to Pr2 parameter level**

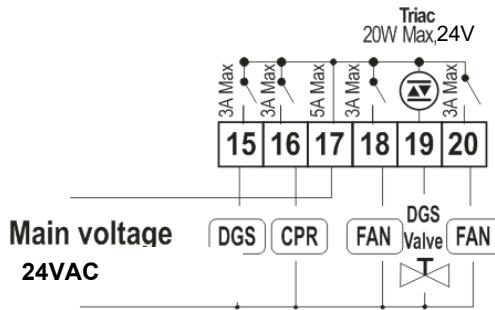
18. TYPE OF REGULATION

18.1 Digital Compressor regulation

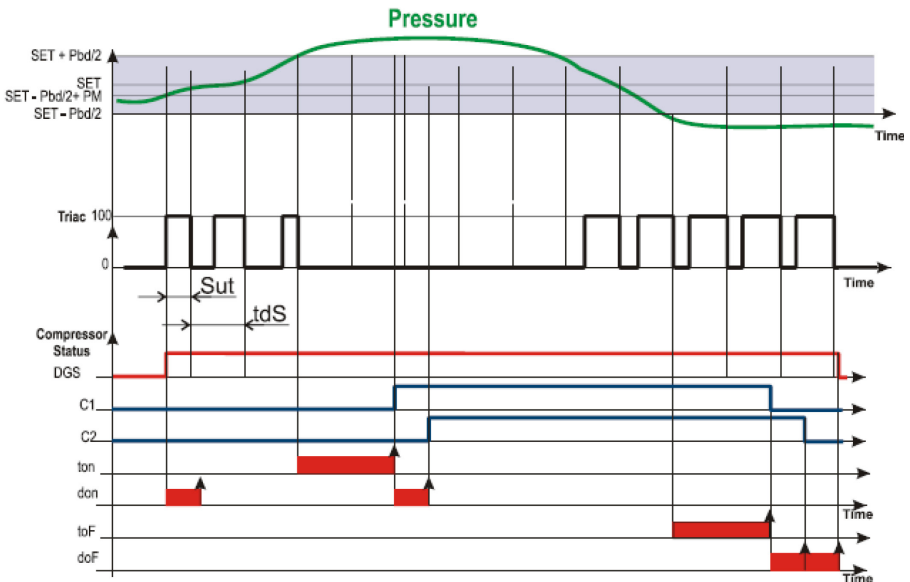
18.1.1 *Digital scroll: main parameters set up*

EG: Plant with 2 compressors (one of them digital) e 2 fans default configuration with PP11, PP30 pressure transducers:

| | | | | |
|-----------|-------------|------------|------------|-------------|
| oA1 = dGS | oA2 = CPR1, | oA3 = FAN, | oA4 = FAN, | dGty = SCrL |
|-----------|-------------|------------|------------|-------------|



The pressure is adjusted by a PI regulation.



18.1.2 Regulation Start: increasing capacity

- a. The regulation starts when the suction pressure (temperature) increases and reaches the value **SET-Pbd/2+(Pbd*PM)/ 100**. At first, if available, the digital compressor is powered, and it is modulated in PWM mode.

NOTE: At start up the valve is energized for SUt seconds.

- b. Within the adjustment range (**SET-Pbd/2 - SET+Pbd/2**) the digital scroll compressor is activated in PWM mode in accordance with the value of the control variable.

NOTE: When the TRIAC is on the compressor is discharged; when the TRIAC is off the compressor is operative).

- c. When the pressure is greater than **[SET + Pbd/2]** and the TRIAC output is already at maximum, another compressor is started after the “ton” delay time.

- d. Then, if additional capacity is required (pressure higher than **[SET + Pbd/2]** another compressor starts after the “don” time.

NOTE: If the pressure exceeds the value **SET+Pbd/2** and the DGS compressor is not available (blocked by onon, oFon, safety digital input), another compressor is started (if available) in order to meet the adjustment request.

18.1.3 Decreasing capacity and regulation stop

- a. When the pressure is lower than **[SET - Pbd/2]**, the DGS compressor is still modulated to minimum capacity for the toF time.

- b. At the end of the toF time the load with more working hours is shut down. If the load must stay on because the donF time is not over yet, the next load is considered, and so on until a load that can be shut down is found or becomes available.

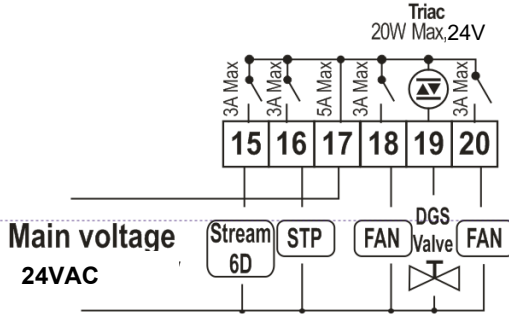
- c. This procedure continues with all active loads, with the shutdowns spaced out by the doF time setting.

- d. When only the DGS remains on, at the end of the doF time the DGS is shut down too.

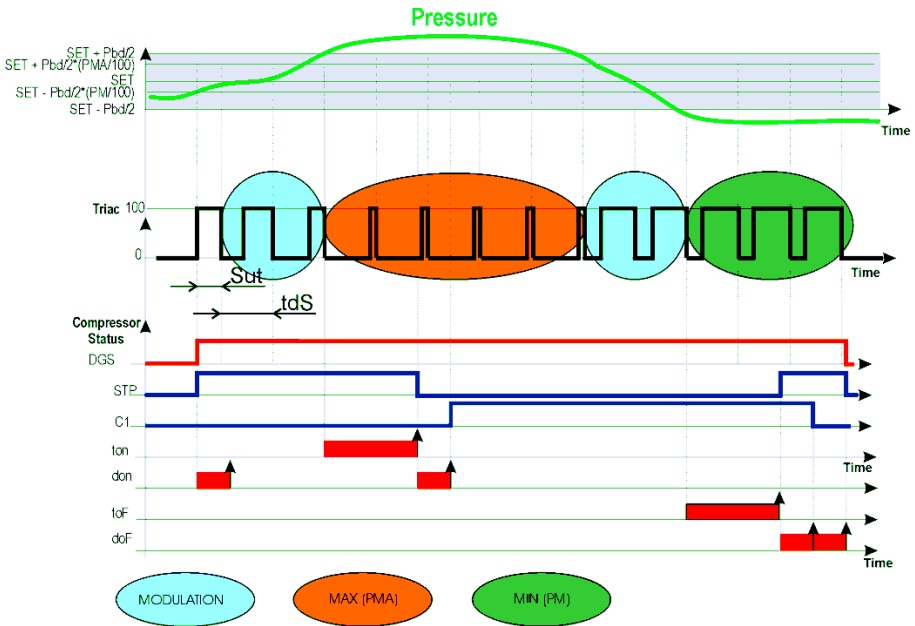
18.1.4 Digital Stream: Main parameters set up

EG: Plant with 2 compressors Stream 6D and 2 fans default configuration with PP11, PP30 pressure transducers:

| | | | | |
|-----------|-----------|------------|------------|-------------|
| oA1 = dGS | oA2 = 6dG | oA3 = FAN, | oA4 = FAN, | dGty = StrM |
|-----------|-----------|------------|------------|-------------|

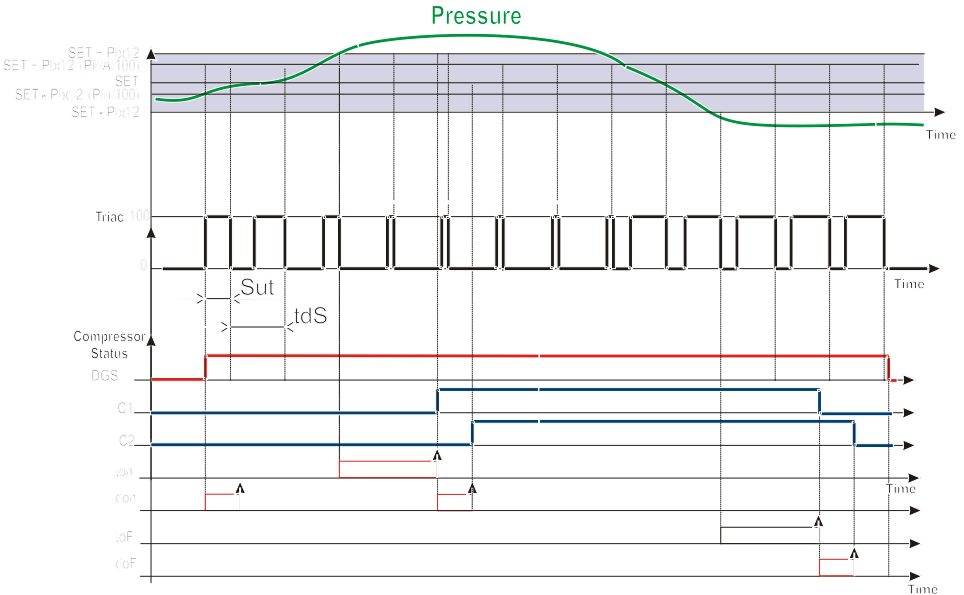


The pressure is adjusted by a PI regulation, following the same logic of the digital scroll see previous paragraphs: 18.1.2 and 18.1.3.



18.1.5 Limitation of DGS compressor capacity by parameters PM and PMA

The capacity of the DGS compressor can be limited by the PM and PMA parameters, as shown in the following diagram.



The capacity of the DGS compressor is limited by the PM and PMA parameters.

PM In percentage, it sets the minimum capacity of the DGS activation during a period tdS . For instance, with $tdS = 20$ s and $PM = 20$, the minimum activation of the DGS is 4 s.

NOTE: For digital scroll ($dGty = SCrL$) the minimum allowed value of **PM** is **10**
 For digital stream ($dGty = StrM$) the minimum allowed value of **PM** is **0**

NOTE: For a proper functioning of the DGS, it's recommended a minimum activation time of 2 seconds.

PMA It limits the percentage of the DGS activation during a tdS period according to the formula: $((Pbd * PMA) / 100) * tdS$.

18.2 Proportional band regulation - only for fans

The fan regulation band **Pb** is divided by the number of fans:

The numbers of fans switched ON is proportional to the value of the input signal: when this distance itself from the target set point and enters the various bands, the compressors are switched ON, to be then turned OFF when the signal brings near the set point.

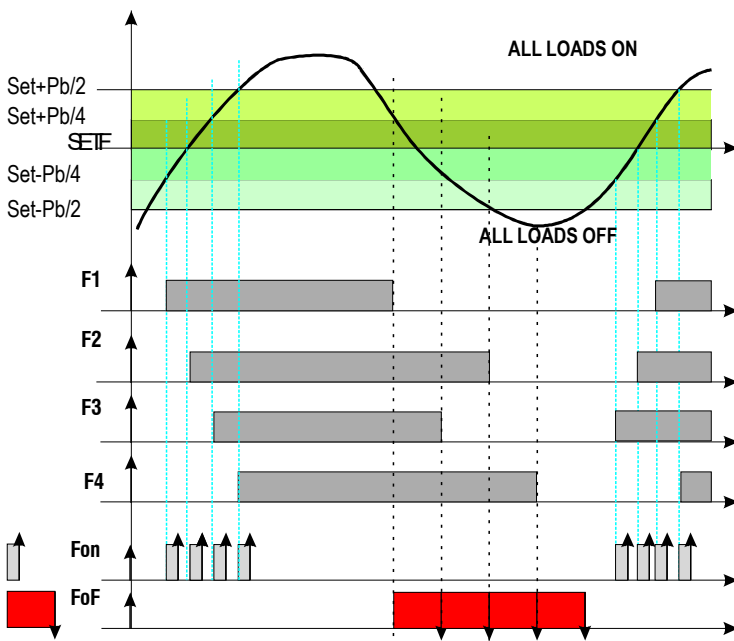
In this way if the pressure is greater than regulation band, all the fans are on, if the pressure (temperature) is lower than the regulation band all the fans are off. Naturally also for this regulation all the delays (Fon and FoF) are valid.

Regulation according to the running hours

The algorithm switches on and off the loads according to the running hours of each load. In this way the running hours are balanced.

Example

4 Fans: oA2 = FAn; oA3 = FAn; oA4 = FAn; oA6 = FAn: rot = yES rotation enabled



18.3 Condenser with Inverter or Ec Fans–Analog Output Setting

This configuration is used when all fans of the condensing group are ECI fans or driven by one inverter or a chopped phase driver.

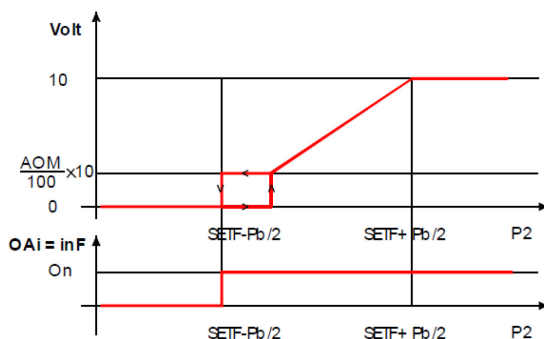
The capacity used by the inverter is proportional to the delivery pressure value inside the regulation band (SETF-Pb/2 - SETF+Pb/2).

18.3.1 Condenser fan configurations and parameters

| PARAMETER | DESCRIPTION | ACTION |
|--------------------|--|--|
| oA(i) = inF | Set 1 relay for inverter | One relay is used to enable the action of the inverter. |
| AoC = tEn | Analog output setting | Set the output as 0 – 10 V |
| AoF = InF | Analog output function | Set the output to drive ECI or inverter fan |
| AOM = 0 | Minimum value for analog output | The minimum voltage is 0 V. NOTE: Verify on the inverter of ECI fan of chopped phase driver that with this input a proper output is supplied to the fan. |
| AOt = 5 | Time of analog output at max after the start | To start the fan the controller supplies 10 V output for 5 s, then starts standard regulation |
| MPM = 100 | Maximum % variation per minute | The analog output takes 1 min to move from the min to the maximum |

18.3.2 How to set it

Parameters involved: **oA(i) = inF; AoC = tEn, AoP = P2, AOM = 30, MPM = 100**



- If required, set a relay to drive the invert (is used to signal to the inverter to start and stop the regulation), by setting: **oA(i) = inF** inverter for fans
- Set the kind of signal of the analog output current (4 - 20 mA) or voltage (0 - 10 V) by the **Analog output setting** parameter “AoC”: **tEn** = 0 - 10 V output; **cUr** = 4 - 20 mA output
- Set the function of the analog output: **AoF = InF**
- Set the time of the analog output at max after start up El: Aot = 3 s**
- Set the max % variation per min (MP)**
- At last set also the percentage of analog output in case of probe failure: (0 - 100%) **SAO**

18.4 Analog output “free”

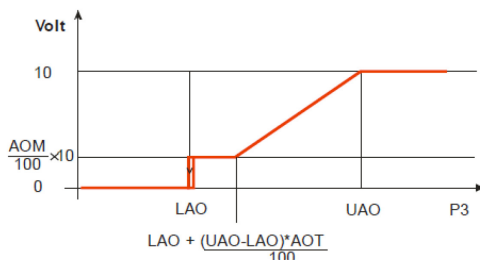
This setting is used to link the analog output 1 to a temperature probe. The analog output will take values proportional to the temperatures detected by the probe P3 or P4, according to the setting.

18.4.1 Analog output “free” configurations and parameters

| PARAMETER | DESCRIPTION | ACTION |
|------------------|---|--|
| AoC = tEn | Analog output setting | Set the output as 0 - 10 V. |
| AoF = FrE | Analog output function | Set the output to drive for instance a de-superheater. |
| AOP = P3 | Reference probe for the analog output 1 (used only if AOP = FrE) | It's possible to set only P3 or P4 probes. P3 must be set as temperature probe: P3C = nt10 (NTC 10 K) or nt86 (NTC 86 K) |
| LAO = 20 | Temperature value associated to minimum value of analog output AOM. | It's the start scale of the analog output. |
| UAO = 40 | Temperature value associated to the maximum value of analog output (10 V) | It's the end scale of the analog output. |
| AOM = 0 | Minimum value for analog output | The minimum voltage is 0 V. NOTE: Verify on the inverter of ECI fan of chopped phase driver that with this input a proper output is supplied to the fan. |
| AOt = 5 | Time of analog output at max after the start | With AOt = 5 the controller supplies 10 V output for 5 s at fan start, then starts standard regulation. |
| MPM = 100 | Maximum % variation per minute | The analog output takes 1 min to move from the min to the maximum. |

18.4.2 How to set it

Parameters involved: **AoC = tEn, AoF = FrE, AOP = P3: LAO = 20; UAO = 40; AOt = 0, AOM = 30, MPM = 100**



- Set the kind of signal of the analog output current (4 – 20 mA) or voltage (0 – 10 V) by the **Analog output setting** parameter “AoC”: tEn = 0 – 10 V output; cUr = 4 - 20 mA output
- Set the function of the analog output: **AoF = FrE**
- Set the time of the analog output at max after start up EI: **AOt = 3s**
- Set the start scale temperature by **LAO** parameter, at which correspond the **AOM** value of analog output
- Set the end scale temperature by **UAO** parameter, at which correspond the maximum value of analog output
- Set the max % variation per min (**MPM**)
- At last set also the percentage of analog output in case of probe failure: (0 – 100 %) **SAO**

19. ADDITIONAL FUNCTIONS

19.1 Compressor running proof function

The digital inputs are normally used to signal a compressor or fan failure.

It's also possible to set the digital inputs for running proof signalling. That means when compressor relay is activated, after a configurable delay the digital input related to the compressor should go on too (usually a contact from compressor contactor) and the controller has the "confirmation" that compressor is running.

If it does not, that means something is wrong between the controller and the compressor itself.

19.1.1 Parameters and settings

The parameters involved are:

- **iF01, iF02, iF03, iF04, iF05, iF06, iF07**: configuration of dig input 1, 2, 3, 4, 5, 6, 7,

with the related polarity:

- **iP01, iP02, iP03, iP04, iP05, iP06, iP07**: polarity of digital input 1, 2, 3, 4, 5, 6, 7,

with the related delay before alarm signalling:

- **d1d, d2d, d3d, d4d, d5d, d6d**: delay before signalling alarm with digital input set respectively as **oA1 or Co1, oA2 or Co2, oA3 or Co3, oA4 or Co4, oA5 or Co5, oA6 or Co6**.

19.1.2 Alarms related

| CODE | MEANING | CAUSE | ACTION | RESET |
|-------------------------------|---|---|--|--|
| FC01... FC06 | Running proof alarm with automatic recover | The digital input set as Co1 - Co6 has not been activated by d1d - d46 time | The compressor 1 - 6 is switched off and the safety timers start | Automatic – when safety timers are over |
| LC01... LC06 | Running proof alarm with manual recover | 5 running proof alarms happened in an hour. | The compressor 1 - 4 is switched off | Manual by means: - Controller off-on - Reset by keyboard - Reset by monitoring system |

19.1.3 Example

EI: Rack with 2 compressors, with compressor safeties and running proof circuit for each compressor:

Compressor 1 on relay 1: **oA1 = CPR1**

Compressor 2 on relay 2: **oA2 = CPR1**

Safety for compressor 1 on digital input 1: **iF01 = oA1**

Safety for compressor 2 on digital input 2: **iF02 = oA2**

Running proof circuit for compressor 1 on digital input 3: **iF03 = Co1**

Running proof circuit for compressor 2 on digital input 4: **iF04 = Co2**

2 seconds delay before signalling alarm and stopping the compressor 1: **d1d = 2**

2 seconds delay before signalling alarm and stopping the compressor 2: **d2d = 2**

When the compressor 1 (or 2) starts, if by 2 seconds the digital input 3 (or 4) is not activated (running proof function) the **FC01** alarm is signalled, and the compressor is stopped.

Alarm recovers as soon as the safety timers of the compressor (onon, ofon) are over, and compressor come back available for regulation.

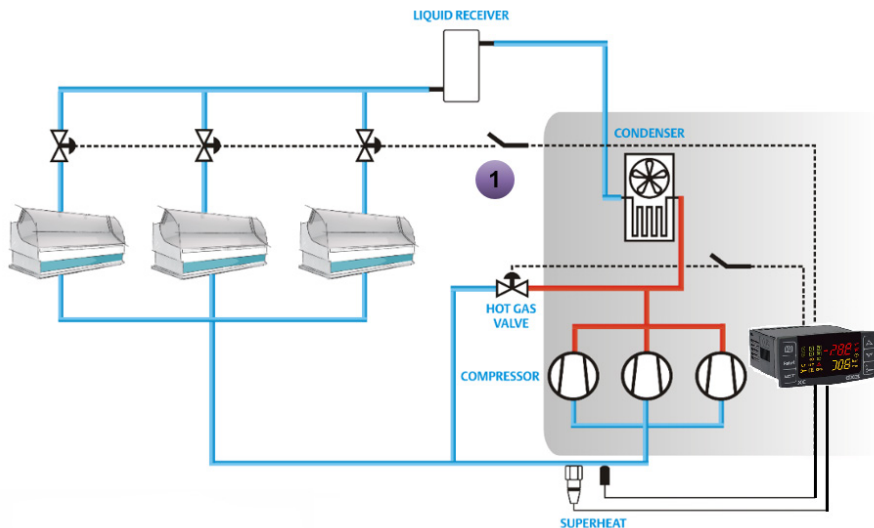
After 5 consecutive alarms, the alarms move from automatic restart to manual restart and it must be reset by Keyboard, or by switching off and on the controller.

19.2 Flood protection function

To ensure the maximum safety of the plant, a relay is activated when the compressors cannot be switched on since they are blocked due to safety times or for other issues or stopped for maintenance.

This output can be used to block the liquid injection to the cabinets to avoid flooding the suction collectors.

The relay will be disabled once the compressors can restart (see scheme **1**).



To enable this function set one relay by the parameters **oA2** or **oA3** or **oA4** or **oA5** or **oA6**, as flood protection, EI **oA4 = Liq**, and then connect it to the external device that blocks the cabinet injection.

NOTE: The relay set as flood protection is automatically activated even when the controller is in stand-by mode.

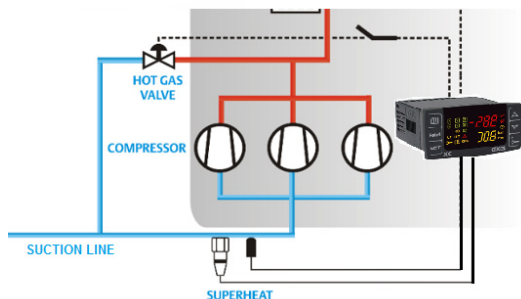
If the compressors are activated in fix sequence, (Sty = no), and the compressor that has to be activated is locked by safety timers, the relay set as flood protection is switched on till the safety timers are over.

19.3 Suction superheat monitoring

Controller can monitor the suction superheat, and signal situations of low superheat, with a pre-alarm and alarm thresholds.

According to the settings, compressors can be stopped in case of low superheat alarm, to preserve compressor integrity.

19.3.1 Suction Superheat detecting



To detect the suction superheat an auxiliary probe among P3 (term. 3 - 4) or P4 (term. 27 - 28) has to be set as superheat temperature probe.

To do this set $ASH9 = P3$ or $P4$.

Controller automatically calculates the suction superheat using the value of the suction probe P1 and the probe set in the parameter $ASH9$.

The SH is available after 1 minute since at least one compressor is running.

19.3.2 Low superheat signalling and actions

Controller can signal low superheat pre-alarm, only warning, and low superheat alarm, warning and regulation according to parameter $ASH4$.

The alarm messages and the regulation are described in the following table.

| CODE | MEANING | CAUSE | ACTION | RESET |
|------|--------------------------------|--|---|---|
| PrSH | Low superheat Pre-alarm | The superheat is less than: $SH < ASH2 + ASH0$ for $ASH1$ time | Only warning | Automatic: when superheat: $SH > ASH0 + ASH2 + 1^{\circ}C(2^{\circ}F)$ |
| ALSH | Low superheat alarm | The superheat is less than: $SH < ASH2$ for $ASH3$ time | Regulation depends on $ASH4$: $ASH4 = no$: regulation not affected. $ASH4 = yes$: regulation is stopped. | Automatic: when superheat: $SH > ASH5 + ASH2$ |

19.4 Hot gas injection valve

Controller can manage a hot gas injection valve to increase suction superheat. See above figure.

19.4.1 Parameters

A **relay** must be set as hot gas valve: **oA2** or **oA3** or **oA4** or **oA5** or **oA6** = HGi, and an **auxiliary probe** among P3 (term. 3 - 4) or P4 (term. 27 - 28) has to be set as superheat temperature probe **ASH9 = P3 or P4**.

Then the following parameters:

ASH7 Superheat value to enable hot gas injecting valve (0.1 - 15.0 °C/ 1 – 30 °F)

ASH8 Differential for ASH7 (0.1 - 30.0 °C/ 1 – 60 °F)

19.4.2 Regulation:

The regulation respects the following schema:

Superheat < ASH7 - ASH8 → HGi on

Superheat > ASH7 → HGi off

ASH7 < Superheat < ASH7 - ASH8 → The state is maintained.

19.4.3 Special conditions

- With **ASH9 = nP**: none probe set as SH probe and one relays set as HGi (valve for hot gas injection) the configuration error is displayed "**no Probe For SH**", and the relay set as HGi is never activated.
- If the probe used to calculate the SH is in error the related probe fault alarm is generated (P3 or P4) and the HGi relay is not activated.

20. ALARM LIST

Usually alarm conditions are signaled by means of:

1. Activation of alarm output 0 – 12 V
2. Buzzer activation
3. Message on proper display
4. Log of alarm: code and duration.

The table at paragraph 20.3

20.1 Types of alarms and signaling managed

20.1.1 A12: Configuration alarm

The following configuration parameters are checked after each modification.:

| | |
|------------------|-----------------------------|
| OA2 - OA6 | Outputs 2 - 6 configuration |
| P2P | Second probe presence |
| AOP | Probe for analog output |

When these parameters are set in wrong way an alarm message is generated: the label **A12** is shown on the upper display, while the lower display the following messages are shown:

| MESSAGE | CAUSE | ACTION |
|-------------------------------------|---|--|
| Too many dGS output | More than one oAi has been set as dGs (digital scroll) | Check the oAi parameters and set them different from dGS. |
| Too many dGS output | One oAi has been set as dGst (triac for digital scroll) | Check the oAi parameters and set them different from dGS. |
| Too many 6dG output | More than one oAi has been set as 6dG (blocked suction valve for digital stream 6D) | Check the oAi parameters and set them different from 6dG. |
| 6dG, bEF or dGS ConFIG Error | oAi configured as 6dG before the dGS | Check the oAi parameters and set 6dG after dGS. |
| dGS Output Error | One oAi has been set as dGst (triac for digital scroll) | Check the oAi parameters and set them different from dGS. |
| dGS not PrESent | One oAi has been set as dGs (digital scroll) | Check the oAi parameters and set them different from dGS. |
| dGS not PrESent | One oAi has been set as dGst (triac for digital scroll) but none relay has been set as "dGS" | Check the oAi parameters and set them different from dGS if digital compressor is not used. Otherwise set 1 relay as dGS if digital compressor is used |
| StEP ConFIG Error | Load (step) configuration error | A relay oA(i) has been set as compressor without a previous relay oA(i-1) has been set as compressor. EI oA1 = StP |
| no P3 Probe PrESent | The P3 probe is requested for a function, but it's not present | Check the parameters P3C |
| no LoAdS For rEGuLAtion | None oA(i) is set as compressors or fans | Check the setting of oA2, oA3, oA4, oA6 parameters |
| AOP2 | P2 probe not available for the 4 – 20 mA output | P2 probe not available P2P = no. Enable the probe setting: P2P = yES The second probe P2 is used to control the temperature of the engine of screw compressors. Check CtyP and set it different from Scr. |
| no FAn Probe | P2 probe not available for fan regulation | P2 probe not available P2P = no. Enable the probe setting: P2P = yES The second probe P2 is used to control the temperature of the engine of screw compressors. Check CtyP and set it different from Scr. |
| too MANy InC1 | More than one oAi has been set as inC1 (inverter for suction 1) | Check the oAi parameters and set them different from "inC1". |
| No AnALoGuE out For InC1 | Non-analogue output has been set as "inC1" | Check the oAi parameters and set them different from "inC1". |
| too MANy InF | More than one oAi has been set as inF (inverter for fan) | Check the oAi parameters and set only 1 as "inF". |
| No AnALoGuE out For InF | Non-analogue output has been set as "inF" | Check AoF and 2AoF and set one of them as "inF" |
| CPr Circuit conFIG Error | The kind of outputs are not compatible with the 2 suction circuits | Check parameters oA(i) , CtyP and set CtyP different from Scr. |
| AO1 And AO2 SAME Function | AoF and 2AoF have the same setting | Set AoF and 2AoF properly. |
| no Probe For SH | One relay is set as hot gas injection valve (oA2 or oA3 or oA4 = HGi), but the probe to detected th superheat is missed: ASH9 = nP | Set a probe to detect the superheat by the parameter ASH9 = P3 or P4. If the hot gas injection valve is not present, set oA2 or oA3 or oA4 different from HGi. |

20.1.2 E11L, Electronic Pressure switch alarm, suction section

PARAMETERS

ELP: Electronic pressure switch threshold: (-50 °C - SETC; -58 °F - SETC; PA04 - SETC); Pressure / Temperature value at which all the compressors are switched off. It has to be set some degrees above the mechanical low pressure switch value, in order to prevent mechanical low-pressure activation.

ACTIONS

Electronic low pressure: every time the suction temperature/pressure is less than ELP value all the compressors are switched off. The instrument restarts the standard operating mode when pressure/ temperature increases.

20.1.3 E0H1, E0L1 Pressure switch alarm, suction and condensing sections

TERMINALS

Low pressure switch input: 9 - 10, high pressure switch input: HP [25 - 26].

PARAMETERS

iP05: Low pressure switch polarity: It establishes if the input is activated by closing (iP05 = cL) or by opening (iP05 = oP) the terminals.

iP06: High pressure switch polarity: It establishes if the input is by activated by closing (iP06 = cL) or by opening (iP06 = oP) the terminals.

ACTIONS

Low pressure: every time the inputs are activated all the compressors are switched off. The instrument restarts the standard operating mode when the input is disabled. If there are PEN activation in the PEi time, only manual resetting is allowed, by pressing the **DOWN** key for 3 seconds or by turning off and on the instrument.

High pressure: every time the inputs are activated all the compressors are switched off and fans are switched on. The instrument restarts the standard operating mode when the input is disabled. If there are PnF activation in the PiF time, only manual resetting is allowed, by pressing the **DOWN** key for 3 seconds or by turning off and on the instrument.

20.1.4 EA1 - EA6: Compressors and fans safeties alarm.

TERMINALS

WARNING: THESE TERMINALS REQUIRE A FREE OF VOLTAGE CONNECTION.

The terminals (from 10, 11, 12, 13, 14+ ID5) really used depends on the number of loads. The protections regarding the compressors and fans are connected to these inputs. If one of these protections is enabling (E.I. for lack of oil or overheating, etc.) the corresponding load is turn off.

PARAMETERS

iP01 - iP07: It establishes if the input is activated by closing (**iP01 - iP07 = cL**) or by opening (**iP01 - iP07 = oP**) the terminals.

ACTIONS

Every time one input is activated the corresponding output is turned off.

RECOVERY

Recovery depends on **ALMr** parameter:

With **ALMr = no** The instrument restart the standard operating mode when the input is disabled.

With **ALMr = yES** manual recover for the alarms of compressors and fans. Push the **DOWN** key for 3 seconds.

20.1.5 P1, P2; P3, P4: probe failure alarm

It is generated by failure in the probe P1, P2 or P3.

In case of **P1** fault, number of steps engaged depends on the **SPr** parameter.

In case of **P2** fault, number of fans engaged depends on the **FPr** parameter.

If the P3 or P4 probe is used for dynamic set point

The function is disabled and only the standard set point is used.

If the P3 or P4 probe is used for analog output

The function is disabled, the value of the analog output is set in the **SAo** parameter.

RECOVERY

Automatic as soon as probe restarts working.

20.1.6 CIHA, CILA, F - HA, F - LA High and low pressure (temperature) alarms for compressors or fans

This alarm signals that the pressure (temperature) is out of limits established by parameters **LAL** and **HAL** for compressors and **LAF** - **HAF** for fans.

The **tAo** and **AFd** parameters set the delay between alarm condition and alarm signaling.

ACTION

The alarm is signaled with standard action. The outputs are unchanged.

20.2 Buzzer muting

Press any buttons to silence the buzzer during an alarm condition.

Hold pressed for more than 3 seconds switch off the alarm relay during an alarm condition.

20.3 Alarm conditions – summary table

| CODE | MEANING | CAUSE | ACTION | RESET |
|-------------|---|--|--|---|
| E1L | Low electronic pressure-switch alarm | Pressure/temperature less than ELP value. | All compressors are turned off. Fans unchanged. | Automatically when the pressure/temperature increases more than ELP value |
| E0L1 | Low pressure-switch alarm | Low pressure switch input enabled. | All compressors are turned off. Fans unchanged. | Automatically (if the number of activations are less than PEn in the PEi time) when the input is disable. - The compressors restarts working according to the working algorithm. Manually (if PEn activation happened in the PEi time) When the input is disable: a. hold pressed the Restart (DOWN) key for 3 seconds or b. turn off and on the instrument. - The compressors restarts working according to the working algorithm. |

| CODE | MEANING | CAUSE | ACTION | RESET |
|---------------------------------|---|---|--|--|
| E0H | High pressure switch alarm | High pressure switch input enabled. | All compressors are turned off. All fans are turned on. | Automatically (if the number of activations is less than PEn in the PEi time) when the input is disable. - Compressors and fans restart working according to the working algorithm. Manually (if PEn activation happened in the PEi time) When the input is disable: a. hold pressed the Restart (DOWN) key for 3 seconds or b. turn off and on the instrument. - Compressors and fans restarts working according to the working algorithm. |
| P1 | P1 probe failure alarm | Probe failure or out of range. | The compressors are activated according to the SPR or PoPr parameters. | Automatically as soon as the probe restarts working. |
| P2 | P2 probe failure alarm | Probe failure or out of range. | The fans are activated according to the FPr parameters. | Automatically as soon as the probe restarts working. |
| P3 | P3 probe failure alarm | Probe failure or out of range. | The functions related to the third probe are disabled. | Automatically as soon as the probe restarts working. |
| P4 | P4 probe failure alarm | Probe 4 failure or out of range. | The functions related to the fourth probe are disabled. | Automatically as soon as the probe restarts working. |
| EA1 EA2 EA3 EA4 EA6 | Load safeties alarm | Safeties compressor/fan input activation. NOTE: with step compressors 1 input for each compressor has to be used. | The corresponding load is turned off. (with step compressors all relays referred to the input are disabled). | Recovery depends on ALMr parameter: With ALMr = no The instrument restart the standard operating mode when the input is disabled. With ALMr = yES manual recover for the alarms of compressors and fans. Push the DOWN key for 3 seconds. |
| C1-LA | Minimum pressure (temperature) alarm compressors section | Suction pressure or temperature lower than LAL value. | Signaling only | Automatically: as soon as the pressure or temperature reaches the (LAL+ differential) value. (differential = 0.3 bar or 1°C) |
| F-LA | Minimum pressure (temperature) alarm fans section | Condensing pressure or temperature lower than LAF value. | Signaling only | Automatically: as soon as the pressure or temperature reaches the (LAF+ differential) value. (differential = 0.3 bar or 1°C) |
| C1-HA | Maximum pressure (temperature) alarm compressors section | Suction pressure or temperature higher than HAL value. | Signaling only | Automatically: as soon as the pressure or temperature reaches the (HAL - differential) value. (differential = 0.3 bar or 1°C) |

| CODE | MEANING | CAUSE | ACTION | RESET |
|-----------------|--|--|--|---|
| F-HA | Maximum pressure (temperature) alarm fans section | Condensing pressure or temperature higher than HAF value. | Depends on the parameter HFC | Automatically: as soon as the pressure or temperature reaches the (HAF - differential) value. (differential = 0.3 bar or 1°C) |
| A5 | Liquid level alarm | Input enabled | Signaling only | Automatically as soon as the input is disabled |
| A12 | Configuration alarms | See par. 18.1 | | |
| A14 | Load maintenance alarm | A load has worked for the hour set in the SER parameter. | Signaling only | Manually: reset the running hour of the compressor (see par.13 Running hours of loads) |
| dtL | Discharge Line Temperature | Pb3 Temperature Higher than dtL for the dLd time delay. | Digital Scroll switched off. | Automatically as soon as the temperature becomes lower than dtL. |
| inF | Inverter fan alarm | The configurable dig. Input set as inF is activated. | The analog out set as INF is switched off. | Automatically as soon as the input is disabled |
| FC01... FC04 | Running proof alarm with automatic recover | The digital input set as Co1 - Co6 has not been activated by d1d - d4d time. | The compressor 1 - 4 is switched off and the safety timers start. | Automatic – when safety timers are over. |
| LC01... LC06 | Running proof alarm with manual recover | 5 running proof alarms happened in a hour. | The compressor 1 - 4 is switched off. | Manual by means: - Controller off-on - Reset by keyboard - Reset by monitoring system |
| PrSH | Low superheat Pre-alarm | The superheat is less than: SH< ASH2 + ASH0 for ASH1 time. | Only warning | Automatic: when superheat: SH>ASH0+ASH2+1°C(2°F) |
| ALSH | Low superheat alarm | The superheat is less than: SH< ASH2 for ASH3 time. | Regulation depends on ASH4: ASH4 = no: regulation not affected. ASH4 = yes: regulation is stopped. | Automatic: when superheat: SH> ASH5 + ASH2 |

21. TECHNICAL FEATURES

| | |
|--|--|
| Housing: | Self-extinguishing PC/PC+ABS |
| Case: | Front panel 32x74 mm, depth 70 mm |
| Mounting: | Panel mounting in a 29x71 mm panel cut-out |
| Degree of protection: | Indoor use, Type 1 enclosure (NEMA - UL 50e) |
| Frontal panel: | IP65; Rear housing: IP20 |
| Power supply: | 24 VAC/DC \pm 10 %, 50-60 Hz |
| Powered by a Class 2 Source | |
| Overvoltage Category: | III |
| Rated power: | 5 VA max. |
| Rated Impulse Voltage: | 2500 V |
| Display: | 4-digits red led and 4-digit orange led |
| Software class: | A |
| Terminal connections: | Removable terminal block 6 and 14 ways on the non-volatile memory (EEPROM) |
| Data storing: | 1B |
| Type of action: | 1B |
| Pollution degree: | 2 |
| Ambient operating temperature: | -10 - 60 °C |
| Shipping and storage temperature: | -25 - 60 °C |
| Relative humidity: | 20 - 85 % (no condensing) |
| Measuring range: NTC probe: | -40 - 110 °C |
| Resolution: | 0.1 °C; 1 °F; 0.1 bar; 1 PSI |
| Accuracy (ambient temp. 25°C): | $\pm 0,7$ °C \pm 1 digit |
| Power absorption: | 5 VA max. |
| Inputs | up to 4 NTC probes, or up to 3x 4 - 20 mA or up to 0.5 - 4.5 VDC transducer |
| Digital inputs: | 7 free voltage. Max distance 10 m |
| Relay outputs: | 4 relay SPST, Rating according to the UL60730 Resistive 3 A, 24 VAC; Pilot Duty B300 |
| Triac output: | Pilot Duty 9 – 20 W, 24 VAC and 830 mA max. |
| oA6 open collector: | output: 12 V, 40 mA max.; Max. distance 10 m |
| Analogue output: | 2x 4 - 20 mA or 0 - 10 V, SELV, Limited Energy circuit <15 W |
| Analogue output accuracy: | 3 % full scale |
| Serial output : | TTL standard |
| Communication protocol: | ModBus – RTU |
| Purpose of control: | operating control |
| Construction of control: | incorporated control, intended to be used in Class I or Class II equipment. |

22. Parameters – Default values

| CODE | VALUE | MENUE | DESCRIPTION | RANGE |
|-------------|-------|-------|---|--|
| StC1 | -10.0 | Pr1 | Set point for compressors | LSE, HSE |
| SEtF | 30.0 | Pr1 | Set point for fans | LSF, HSF |
| OA1 | dGS | Pr2 | Load 1 configuration | Nu, CPr1, CPr2, StP, dGS, 6dG, dGSst, InC1, InC2, Fan, InF, Lin, ALr, Liq, HGt |
| OA2 | CPr1 | Pr2 | Load 2 configuration | Nu, CPr1, CPr2, StP, dGS, 6dG, dGSst, InC1, InC2, Fan, InF, Lin, ALr, Liq, HGt |
| OA3 | FAn | Pr2 | Load 3 configuration | Nu, CPr1, CPr2, StP, dGS, 6dG, dGSst, InC1, InC2, Fan, InF, Lin, ALr, Liq, HGt |
| OA4 | FAn | Pr2 | Load 4 configuration | Nu, CPr1, CPr2, StP, dGS, 6dG, dGSst, InC1, InC2, Fan, InF, Lin, ALr, Liq, HGt |
| OA6 | ALr | Pr2 | Load 6 configuration | Nu, CPr1, CPr2, StP, dGS, 6dG, dGSst, InC1, InC2, Fan, InF, Lin, ALr, Liq, HGt |
| dGty | SCrL | Pr2 | Kind of digital compressor: Scroll or Stream | SCrL, StrM |
| StP | OP | Pr2 | Valve output polarity | OP, CL |
| FtyP | r448 | Pr2 | Refrigerant gas type | r22 = R22 134 = R134 404 = R404A 407A = R407A 407C = R407C 407F = R407F 410 = R410 507 = R507 CO2 = R744 CO2 r32 = R32 290 = R290 448 = R448A 449 = R449A 450 = R450A 452 = R452A 513 = R513 1234 = R1234ze |
| Sty | YES | Pr2 | Compressor Sequence type | no, yES |
| rot | YES | Pr2 | Fan Sequence type | no, yES |
| P1C | Cur | Pr2 | P1 probe setting (4 – 20 mA, 0 – 5 V, ntc) | nP, Cur, tEn, ntc |
| PA04 | -0.5 | Pr2 | 4 mA or 0.5 V readout for P1 probe | -1.0 - PA20 bar; -15 - PA20 PSI; -100 - PA20 kPa |
| PA20 | 11.0 | Pr2 | 20 mA or 4.5V readout for P1 probe | PA04 - 61.0 bar; PA04 - 885 PSI; PA04 - 6100 kPa |
| CAL | 0.0 | Pr2 | P1 probe offset | -12.0-12.0°C; -20-20°F; -12.0-12.0 bar; -200-200 PSI; -999-999 kPa |
| P2C | Cur | Pr2 | P2 probe setting (4 – 20 mA, 0 - 5 V, ntc) | nP, Cur, tEn, ntc |
| FA04 | 0.0 | Pr2 | 4 mA or 0.5 V readout for P2 probe | -1.0 - FA20 bar; -15 - FA20 PSI; -100 - FA20 kPa |
| FA20 | 30.0 | Pr2 | 20 mA or 4.5 V readout for P2 probe | PA04 - 61.0 bar; PA04 - 885 PSI; PA04 - 6100 kPa |
| FCAL | 0.0 | Pr2 | P2 probe offset | -12.0 - 12.0°C; -20 - 20°F; -12.0 - 12.0 bar; -200 - 200 PSI; -999 - 999 kPa |
| P3C | nP | Pr2 | P3 probe setting (4 – 20 mA, 0-5 V, ntc) | np., Cur, tEn, nt10, nt86 |

| CODE | VALUE | MENUE | DESCRIPTION | RANGE |
|-------------|-------|-------|--|--|
| 3P04 | -0.5 | Pr2 | 4 mA or 0.5 V readout for P3 probe | 3P04 - 61.0 bar; 3P04 - 885 PSI; 3P04 - 6100 (kPa) |
| 3P20 | 11.0 | Pr2 | 20 mA or 4.5 V readout for P3 probe | -12.0 - 12.0°C; -20 - 20°F; -12.0 - 12.0 bar; -200 - 200 PSI; -999 - 999 kPa |
| O3 | 0.0 | Pr2 | P3 probe offset | -12.0 - 12.0°C; -20 - 20°F; -12.0 - 12.0 bar; -200 - 200 PSI; -999 - 999 kPa |
| P4C | nP | Pr2 | P4 probe setting (NTC 10K, NTC 86K) | nP, nt10, nt86 |
| O4 | 0.0 | Pr2 | P4 probe offset | -12.0 - 12.0°C; -20 - 20°F |
| FPb | P2 | Pr2 | Probe setting for fan | nP, P1, P2, P3 |
| iF01 | OA1 | Pr2 | Function 1 configurable digital input | Nu, OA1, OA2, OA3, OA4, OA5, OA6, InF, LP1, LP2, HP, ES, OFF, LL, SIL, EAL, Co1, Co2, Co3, Co4, Co5, Co6 |
| iF02 | OA2 | Pr2 | Function 2 configurable digital input | Nu, OA1, OA2, OA3, OA4, OA5, OA6, InF, LP1, LP2, HP, ES, OFF, LL, SIL, EAL, Co1, Co2, Co3, Co4, Co5, Co6 |
| iF03 | OA3 | Pr2 | Function 3 configurable digital input | Nu, OA1, OA2, OA3, OA4, OA5, OA6, InF, LP1, LP2, HP, ES, OFF, LL, SIL, EAL, Co1, Co2, Co3, Co4, Co5, Co6 |
| iF04 | OA4 | Pr2 | Function 4 configurable digital input | Nu, OA1, OA2, OA3, OA4, OA5, OA6, InF, LP1, LP2, HP, ES, OFF, LL, SIL, EAL, Co1, Co2, Co3, Co4, Co5, Co6 |
| iF05 | LP1 | Pr2 | Function 5 configurable digital input | Nu, OA1, OA2, OA3, OA4, OA5, OA6, InF, LP1, LP2, HP, ES, OFF, LL, SIL, EAL, Co1, Co2, Co3, Co4, Co5, Co6 |
| iF06 | HP | Pr2 | Function 6 configurable digital input | Nu, OA1, OA2, OA3, OA4, OA5, OA6, InF, LP1, LP2, HP, ES, OFF, LL, SIL, EAL, Co1, Co2, Co3, Co4, Co5, Co6 |
| iF07 | LL | Pr2 | Function 7 configurable digital input | Nu, OA1, OA2, OA3, OA4, OA5, OA6, InF, LP1, LP2, HP, ES, OFF, LL, SIL, EAL, Co1, Co2, Co3, Co4, Co5, Co6 |
| iP01 | cL | Pr2 | Safety input for Load 1 polarity (13-14): | OP, CL |
| iP02 | cL | Pr2 | Safety input for Load 2 polarity (13-15): | OP, CL |
| iP03 | cL | Pr2 | Safety input for Load 3 polarity (16-17): | OP, CL |
| iP04 | cL | Pr2 | Safety input for Load 4 polarity (16-18): | OP, CL |
| iP05 | cL | Pr2 | Safety input for Load 5 polarity (16-18): | OP, CL |
| iP06 | cL | Pr2 | Safety input for Load 6 polarity (16-18): | OP, CL |
| iP07 | cL | Pr2 | Configurable digital input i1F polarity (22 - 23): | OP, CL |
| d1d | 0 | Pr2 | Digital input delay for i1F = oA1 or Co1 | 0 - 255 s |
| d2d | 0 | Pr2 | Digital input delay for i2F = oA1 & Co1 | 0 - 255 s |

| CODE | VALUE | MENUE | DESCRIPTION | RANGE |
|-------------|-------|-------|---|---|
| d3d | 0 | Pr2 | Digital input delay for i3F = oA1 & Co2 | 0 - 255 s |
| d4d | 0 | Pr2 | Digital input delay for i4F = oA1 & Co2 | 0 - 255 s |
| d5d | 0 | Pr2 | Digital input delay for i5F = oA1 & Co3 | 0 - 255 s |
| did | 20 | Pr2 | Liquid level alarm, signalling delay | 0 - 255 min. |
| didA | 20 | Pr2 | External alarm, signalling delay: | 0 - 255 min. |
| ALMr | no | Pr2 | Manual reset for compressor/fan alarms | no, yES |
| dEU | tMP | Pr2 | Displaying measurement unit: pressure or temperature | tMP, PrS |
| CF | °C | Pr2 | Measurement unit for temperature | °C - °F |
| PMU | Bar | Pr2 | Measurement unit for pressure | bar - PSI - kPa |
| rES | dE | Pr2 | Resolution for display and parameters | in, dE |
| dFE | no | Pr2 | Pressure filter enabling | no, yES |
| dEU1 | tPr | Pr2 | Upper display: pressure or temperature selection | tMP - PrS |
| dSP2 | P2 | Pr2 | Lower display: pressure or temperature selection | Nu, P1, P2, P3, P4, StC1, StC2, SEtF |
| dEU2 | tPr | Pr2 | Lower display: pressure or temperature selection | tMP, PrS |
| Pbd | 5.0 | Pr2 | Proportional band for compressors regulation, suction 1 | 0.1 - 30.0°C; 1 - 50°F; 0.1 - 10.0 bar; 1 - 150 PSI 10 - 1000 kPa |
| rS | 0.0 | Pr2 | Band offset, suction 1 | -12.0 - 12.0°C; -20 - 20 °F -12.0 - 12.0 bar; -200 - 200 PSI; -999 - 999 kPa |
| inC | 500 | Pr2 | Integral time, suction 1 | 0 - 999 s |
| dGSP | no | Pr2 | Digital compressor always activated as first compressor | no, yES |
| SUt | 2 | Pr2 | Digital input valve on at start up | 0 - 3 s |
| tdS | 15 | Pr2 | Cycle time for digital compressor | 10 - 40 s |
| PM | 30 | Pr2 | Minimum capacity for digital compressor | 10 - PMA (dGty = ScrL) 0 - PMA (dGty = StrM) |
| PMA | 100 | Pr2 | Maximum capacity for digital compressor | PM - 100 |
| ton | 60 | Pr2 | Time with digital compr. at PMA value before starting a load | 0 - 255 s |
| toF | 30 | Pr2 | Time with digital compr. at PM before turning off a load | 0 - 255 s |
| MinP | 0 | Pr2 | Minimum capacity threshold to start the safety lubrication function | 0 - 100 |
| tMin | 180 | Pr2 | Max time at MinP to start the safety lubrication function | 1 - 255 min. |
| tMAS | 3 | Pr2 | Time at PMA for digital compressor to restore the right lubrication | 1 - 255 min. |
| ESC | 0.0 | Pr1 | Energy saving for compressors regulation | -50.0 - 50.0°C; -90 - 90°F -20.0 - 20.0 bar; -300 - 300 PSI; -2000 - 2000 kPa |
| OnOn | 5 | Pr2 | Minimum delay between 2 switching on of the same compressor | 0 - 255 min. |

| CODE | VALUE | MENUE | DESCRIPTION | RANGE |
|--------------|-------|-------|---|--|
| OFO n | 1 | Pr2 | Delay between the switching off and on of the same compressor | 0 - 255 min. |
| don | 01:00 | Pr2 | Time delay between the insertion of two different loads | 0 - 99.5 (min.10 s) |
| doF | 00:30 | Pr2 | Time delay between switching off of two different compressors | 0 - 99.5 (min.10 s) |
| donF | 01:00 | Pr2 | Minimum time a stage stays ON | 0 - 99.5 (min.10 s) |
| MA on | 0 | Pr2 | Maximum time a stage stays switched ON | 0 - 24 (hour) |
| FdLy | no | Pr2 | don delay enabled also for the first request | no, yES |
| FdLF | no | Pr2 | doF delay enabled also for the first switching off | no, yES |
| odo | 20 | Pr2 | Regulation delay at power on | 0 - 255 s |
| LSE | -40.0 | Pr2 | Minimum set point (compressors) | -50.0 – HSE°C; -58.0 – HSE°F; PA04 – HSE bar, PSI, kPa |
| HSE | 10.0 | Pr2 | Maximum set point (compressors) | LSE - 150.0°C; LSE - 302°F; LSE - PA20 bar, PSI, kPa |
| Lit | 110.0 | Pr2 | Set point for liquid injection | 0.0 – 180°C; 32 – 356 °F |
| Lid | 10.0 | Pr2 | Differential for liquid injection | 0.1 - 25.5°C; 1 – 50°F |
| LiPr | nP | Pr2 | Probe selection for liquid injection | nP, P3, P4 |
| Pb | 5.0 | Pr2 | Proportional band for fan regulation | 0.1 - 30.0°C; 1 - 50°F; 0.1 - 10.0 bar; 1 – 150 PSI; 10 – 1000 kPa |
| ESF | 0.0 | Pr2 | Energy saving differential for fan regulation | -50.0 - 50.0°C; -90 – 90°F; -20.0 - 20.0 bar; -300 – 300 PSI; -2000 – 2000 kPa |
| PbES | 0.0 | Pr2 | Band offset for fan regulation in ES | -50.0 - 50.0°C; -90 --90°F, -20.0 - 20.0 bar; -300 – 300 PSI; -2000 - 2000 kPa |
| Fon | 30 | Pr2 | Time delay between the insertion of two different fan | 0 - 255 s |
| FoF | 15 | Pr2 | Time delay between switching off of two different fan | 0 - 255 s |
| LSF | 10.0 | Pr2 | Minimum set point (fan) | -50.0 – HSF°C; -58.0 – HSF°F, FA04 (FPb) – HSF bar, PSI, kPa |
| HSF | 50.0 | Pr2 | Maximum set point (fan) | LSF - 150.0°C, LSF – 302°F LSF - FA20 bar, PSI, kPa |
| PAO | 30 | Pr2 | Alarm probe delay at power on | 0 - 255 min. |
| LAL | -40.0 | Pr1 | Pressure alarm set low limit (compressors) | -50.0 - HAL°C; -58 - HAL°F; PA04 – HAL (bar, PSI, kPa |
| HAL | 10.0 | Pr1 | Pressure alarm set high limit (compressors) | LAL - 150.0°C; LAL - 302°F; LAL - PA20 bar, PSI, kPa |
| tAo | 15 | Pr1 | Pressure/temperature alarm delay (compressors) | 0 - 255 min. |
| ELP | -45.0 | Pr2 | Electronic pressure switch threshold | -50.0 - STC1 °C -58 - STC1 °F PA04 - STC1 bar, PSI, kPa |
| SEr | 999 | Pr2 | Working hour alarm set (tenth of ours) | 1 - 999 (0= disabled) (10 hour) |
| PE n | 5 | Pr2 | Pressure switch maximum activations | 0 - 15 |
| PEI | 60 | Pr2 | Pressure switch activations time | 0 - 255 min. |
| SP r | 1 | Pr2 | Number of compressors ON with faulty probe | 0 - 6 |
| dtL | 110.0 | Pr2 | DLT high temperature alarm threshold | 0 - 180°C; 32 - 356°F |
| dLd | 5 | Pr2 | DLT high temperature alarm delay | 0 - 15 min. |

| CODE | VALUE | MENUE | DESCRIPTION | RANGE |
|------|-------|-------|---|--|
| dLH | 15.0 | Pr2 | DLT high temperature alarm differential for recovery | 0.1- 25.5°C; 1 - 50°F |
| dtLi | nP | Pr2 | Probe selection for DLT control | nP, P3, P4, P5 |
| dtLP | 50 | Pr2 | Digital Compressor Capacity percentage in case of discharge line temperature alarm | 0 – 80 % |
| dtLF | YES | Pr1 | Compressors OFF in case of discharge line temperature alarm | no, yES |
| LAF | 0.0 | Pr1 | Low pressure alarm set (fan) | -50.0 – HAF°C; -58 – HAF°F; FA04 – HAF bar, PSI, kPa |
| HAF | 60.0 | Pr1 | High pressure alarm set (fan) | LAF - 150.0 °C LAF – 302°F; LAF - FA20 bar, PSI, kPa |
| AFd | 5 | Pr2 | Pressure alarm delay | 0 - 255 min. |
| HFc | YES | Pr2 | Compressor off with high pressure (temperature) alarm | no, yES |
| HFdP | 50 | Pr2 | Digital Compressor Capacity percentage in case of high pressure (temperature) alarm | 0 - 80 % |
| dHF | 5 | Pr2 | Interval between 2 compressors turning off with high pressure (temperature) alarm | 1 - 24 s |
| PnF | 5 | Pr2 | Fan pressure switch maximum activations | 0 - 15 |
| PiF | 60 | Pr2 | Fan pressure switch activations time | 0 - 255 min. |
| FPr | 1 | Pr2 | Fan ON with faulty probe | 0 - 6 |
| ASH0 | 5.0 | Pr2 | Differential for superheat warning 1 | 0.1 - 30.0°C; 1 - 60°F |
| ASH1 | 240 | Pr2 | Superheat warning delay | 0 - 255 s |
| ASH2 | 3.0 | Pr2 | Superheat suction alarm 1 set | 0.1 - 15.0°C; 1 - 30°F |
| ASH3 | 120 | Pr2 | Superheat suction alarm 1 delay | 0 - 255 s |
| ASH4 | no | Pr2 | Compressors turning off for suction Superheat alarm 1 | no, yES |
| ASH5 | 5.0 | Pr2 | Differential for regulation restart for suction Superheat alarm 1 | 0.1 - 15.0°C; 1 - 30°F |
| ASH6 | 1 | Pr2 | Regulation restart delay after superheat>ASH2+ASH5 | 0 - 255 min. |
| ASH7 | 30.0 | Pr2 | Superheat 1 value for valve 1 hot gas injection | 0.1 - 30.0°C; 1 - 60°F |
| ASH8 | 2.0 | Pr2 | ASH7 differential | 0.1 - 15.0°C; 1 - 30°F |
| ASH9 | nP | Pr2 | Probe for superheat managing | nP(0), P3(1), P4(2) |
| dSEP | nP | nP | Dynamic Set point function enabled | nP, P3, P4 |
| dSES | 35.0 | 35.0 | External temperature set for DYNAMIC SET POINT function | -50.0 - 150.0°C; -58 - 302°F |
| dSEb | -20.0 | -20.0 | Proportional band DYNAMIC SET POINT | -50.0 - 50.0°C; -90 - 90°F |
| dSEd | 5.0 | 5.0 | Differential for DYNAMIC SET POINT | -50.0 - 50.0 °C; -90 - 90°F; -20.0 - 20.0 bar; -300 – 300 PSI -2000 – 2000 kPa |
| AOC | Cur | Cur | Analogue output 1 working mode | Cur, tEn |
| AOF | nu | nu | Analog output 1 function | Nu, InC1, InC2, InF |
| InCP | no | no | Frequency compressor always starts at first | no, yES |
| AOP | nP | nP | Reference probe 1 analogue output (only function FREE) | nP(0), P3(1), P4(2) |

| CODE | VALUE | MENUE | DESCRIPTION | RANGE |
|-------------|-------|-------|--|------------------------------|
| LAO | 0.0 | 0.0 | Lower limit 1 analogue output (AOF = FREE) | -50.0 - 150.0°C; -58 - 302°F |
| UAO | 100.0 | 100.0 | Upper limit 1 analogue output (AOF = FREE) | -50.0 - 150.0°C; -58 - 302°F |
| AOM | 0 | 0 | Minimum value of analogue output 1 | 0 - 100 % |
| AOt | 0 | 0 | Time with analogue output 1 at max when after exceeding AOM | 0 - 15 s |
| MPM | 100 | 100 | Maximum % variation per minute, analogue output 1 | nu, 1 - 100 % |
| SAO | 50 | 50 | Percentage of analogue output 1 in case of probe failure | 0 - 100 % |
| AOH | 70 | 70 | Maximum analogue output 1 percentage when silence mode function is enabled | 0 - 100 % |
| 2AOC | Cur | Cur | Analogue output 2 working mode | Cur, tEn |
| 2AOF | nu | nu | Analogue output 2 function | Nu, lnC1, lnC2, lnF |
| 2AOP | nP | nP | Reference probe 2nd analogue output | nP(0), P3(1), P4(2) |
| 2LAO | 0.0 | 0.0 | Lower limit 2 analogue output (AOF = FREE) | -50.0 - 150.0°C; -58 - 302°F |
| 2UAO | 100.0 | 100.0 | Upper limit 2 analogue output (AOF = FREE) | -50.0 - 150.0°C; -58 - 302°F |
| 2AOM | 0 | 0 | Minimum value of analogue output 2 | 0 - 100 % |
| 2AOt | 0 | 0 | Time with analogue output 2 at max when after exceeding AOM | 0 - 15 s |
| 2MPM | 100 | 100 | Maximum % variation per minute, analogue output 2 | nu, 1 - 100 % |
| 2SAO | 50 | 50 | Percentage of analogue output 2 in case of probe failure | 0 - 100 % |
| 2AOH | 70 | 70 | Maximum analogue output 2 percentage when silence mode function is enabled | 0 - 100 % |
| tbA | YES | YES | Alarm relay silencing | no, yES |
| OAP | cL | cL | Polarity alarm relay | OP, CL |
| oFF | no | no | off function enabled | no, yES |
| bUr | YES | YES | Buzzer enabled | no, yES |
| Adr | 1 | Pr2 | Serial address | 1 - 247 |
| rEL | 3.5 | Pr2 | Release firmware | Readable only |
| SrL | - | Pr2 | Sub-release firmware | Readable only |
| Ptb | 1 | Pr2 | Parameter table code | Readable only |
| Pr2 | 3210 | Pr1 | Pr2 access | Readable only |