



[EmersonClimateAsia.com](http://EmersonClimateAsia.com)

**Emerson Climate Technologies  
Asia Pacific Headquarters**

Suite 2503-8, 25/F, Exchange Tower,  
33 Wang Chiu Road, Kowloon Bay,  
Kowloon, Hong Kong  
Tel: (852) 2866 3108  
Fax: (852) 2520 6227



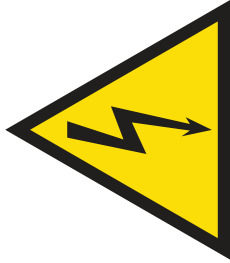
**EMERSON**  
Climate Technologies

**Copeland Scroll™  
Fusion  
Wiring Card**



**EMERSON**  
Climate Technologies





Electrical installation  
fuses and circuit breakers must be installed  
in accordance with local electrical regulations

The terminal box has an IP54 rating

The compressor and accessories are tested  
for leakage to ground before shipping

Disconnect the control board 'PWR' and  
'Demand' connections to avoid any risk of  
damage during high potential testing





DO NOT stop the system by cutting off power

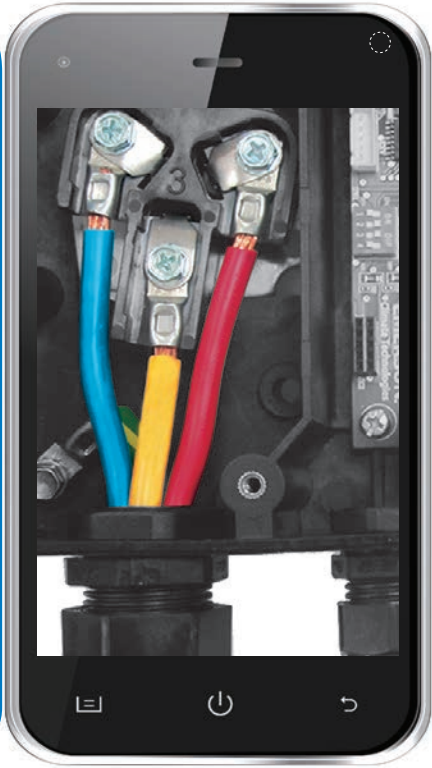
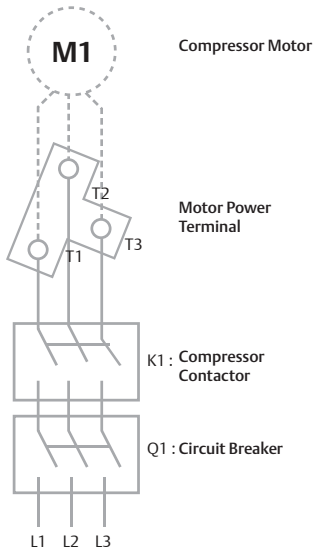
For manual shutdown, please use the 'Emergency Switch (Manual)' indicated in 'Step 3'

Before powering off the system, please make sure compressor has been shutdown for more than one minute before turning off the circuit breaker.

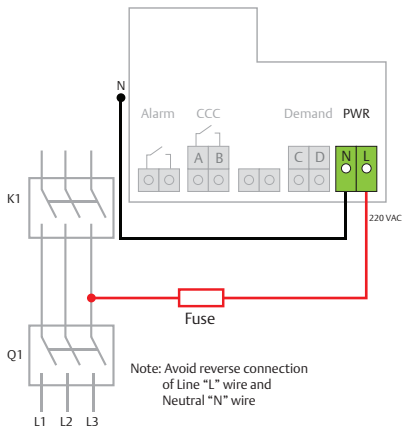


# Step 1: Compressor Motor Power Supply

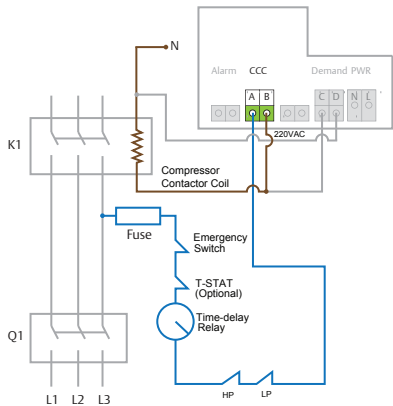
Three Phase 380 VAC



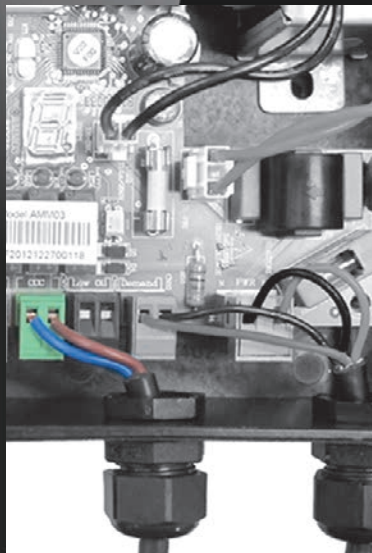
## Step 2: 'PWR' Terminal



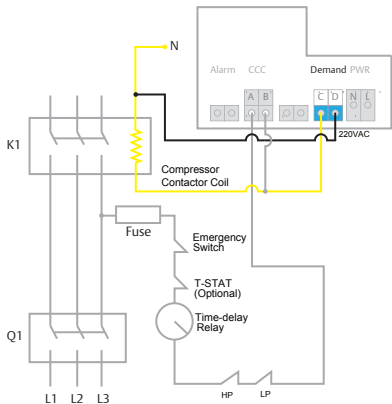
### Step 3: 'Compressor' Terminal



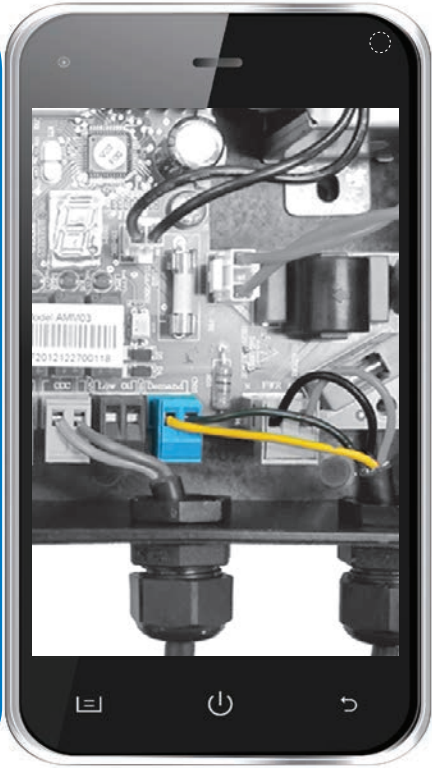
Note: 'CCC' connects the 'Compressor Contactor Coil' in Series



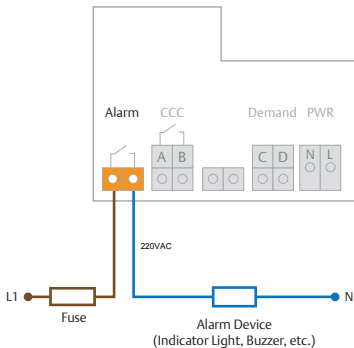
## Step 4: 'Demand' Terminal



Note: 'Demand' connects the 'Compressor Contactor Coil' in Parallel



## Step 5: 'Alarm' Terminal



Notes: Alarm joint only provides passive switch signal  
Alarm device and its power supply are selected by customers

