

CH620 & CH660

New keyboards for refrigeration in CH format

PN01/18 JANUARY



Dear Customer,

Dixell is moving ahead with the standardization process of its devices, and next step is introducing the two new keyboards: CH620 for WING controllers and CH660 for XM600 controllers.

The dimensions of the housing remain the same as for CX620 and CX660 keyboards; this ensures the interchangeability of the product without any additional intervention by the customer.

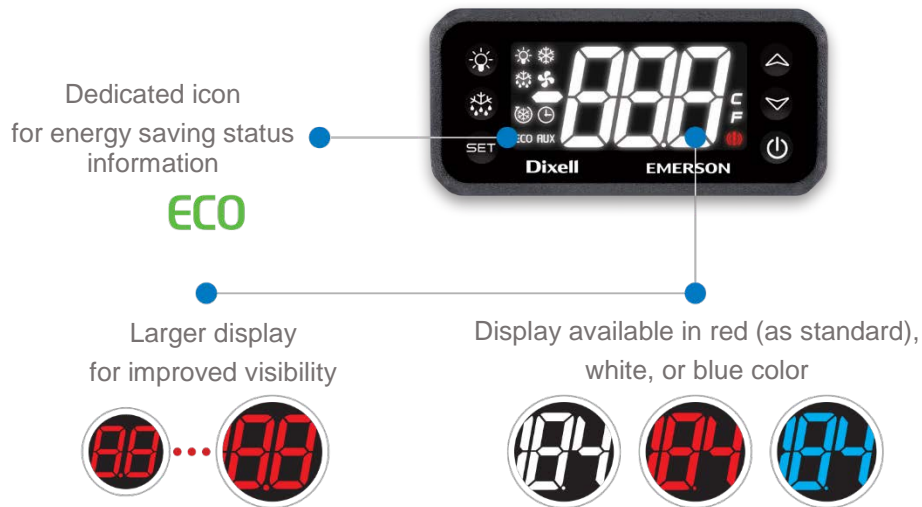
1. Complete range

By introducing the new design also for the keyboards, Dixell completes the range of solutions for refrigerated cabinets, display cases and for the retail field, together with the 31x64, 32x74 and WING families. The thermometer, the controller and the remote display represent a complete solution for the customer.

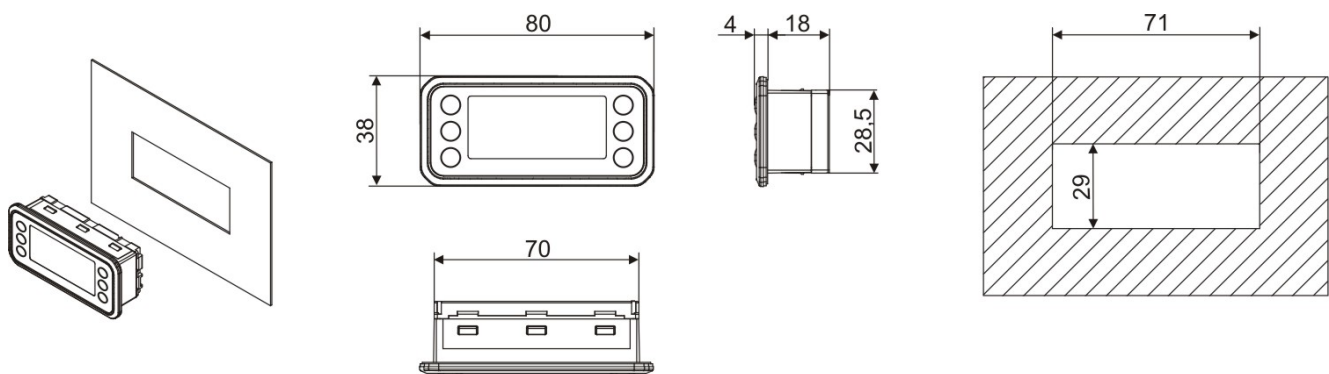


2. Better visibility and aesthetical solutions

A look that stands out for its elegance and sophisticated detail, a variety of color displays give the controllers an unmatched aesthetic appeal. Controllers have a wider display with integrated icons for the display of data in real time and provide measurement units for clear and continuous monitoring.



3. Dimensions and cut out



4. How to order

CH6_0-A00D0

A		D	
Buzzer		Display	
0	No	N	Red
1	Yes	R	Blue
		W	White

5. Availability and orders

Please contact our sales department for delivery time and further information.