

# Air-cooled Semi-Hermetic Condensing Units From 1 To 40HP



Designed For Highly Efficient And  
Reliable Operation

**COPELAND™**

  
**EMERSON™**

## Semi-Hermetic Air-cooled Condensing Units

For many years, users of Copeland™ Semi-Hermetic Condensing Units have relied on Emerson to provide high performance and value to the market. Emerson is committed to continuous technical development while maintaining the traditional values of Copeland™ for refrigeration.

The Semi-Hermetic condensing units are manufactured at the advanced Cold Chain & Distribution Center, Chakan, Pune. With this, release, Emerson offers the widest range of Condensing Units in the Semi-Hermetic technology for commercial and industrial applications. With local manufacturing & stocking, customers will now be able to get units with faster lead times, customized according to their requirements.

They feature excellent quality and are traditionally well known in the refrigeration industry. This product selection

catalogue provides a full listing of the Semi-Hermetic Condensing Unit range for 50Hz operation.



### Range:

#### Three versions are available:

**Standard units:** Available from 1 to 20HP; economically priced and based on K, L, 2S, 3S and 4S compressors, using reed valve technology. The models come with a large sized condenser, suitable for extreme conditions like high evaporating and/or high ambient temperatures. All units are fit for both medium and low temperature applications.

**Copeland Stream™ units:** Available from 13-40HP; featuring High Efficiency Discus® valve compressor technology, covering models from 13 to 40 HP. For specific models, they come with a high ambient version featuring a large sized condenser, suitable for extreme conditions. These units are specifically designed for those applications where high efficiency is required.

**2-Stage units:** Available from 15 to 25HP; for very low temperature applications, units with 2-stage compressors are available.



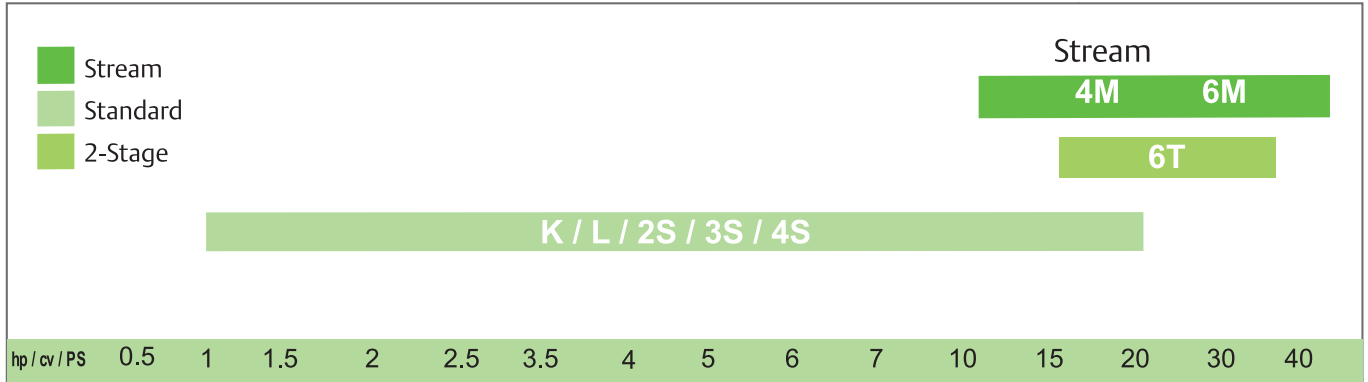
Standard units



Stream units

## General Information

### Product Range



### Model Designation

V9	3	S	C	750	AWM
1	2	3	4	5	6
1	Condenser type				
2	Number of cylinders				
3	Compressor type K / L / S =Standard compressor M =Stream T =2-Stage				
4	Displacement, Valve plate, store, bore				
5	Motor size X = Ester oil O = Mineral oil				
6	Motor version				

1) DTC Discharge gas temperature protection valve

2) Demand cooling

## General Information

### Compressor Motors

Motor-Version	Voltage	Connection
		Δ
AWM	380-420 / 3 / 50	YY/Y
EWL	380-420 / 3 / 50	Y

YY/ Y = Part-winding-start

## Scope Of Supply:

Semi-Hermetic Condensing Units	Standard Series	Stream Series
HP/LP Switch Mounted	✓	✓
Liquid Receiver With Shut Off Valve	✓	✓
Connection For Relief Valve	✓	✓
Electrical Box	✓	✓
Compressor		
Compressor With Rotalock Connections	✓	✓
Oil Sight Glass	✓	✓
Crankcase Heater	✓	✓
Coresense Diagnostics		✓
Ester Oil Charge	✓	✓
Differential Oil Pressure Switch	✓	✓

### Optional Accessories

The Semi-Hermetic Condensing Unit offers a wide range of different optional accessories:

- Liquid Receiver With Larger Capacity
- Oil Separator
- Canopy
- Unloaded start
- Fan Speed Controller
- Filter Drier
- Capacity Control

## Copeland™ Standard Semi-Hermetic Compressors (K, L, 2S & 3S) For 1-20HP

This series is equipped with compressors using reed valve technology which provide 1 to 20 HP motor power. The wide range of models offers solutions for most applications including operation in extreme conditions like high evaporation and high ambient temperatures.

The Salient features of these units are

- Standard equipment
- Multiple choice of refrigerants incl. R404A, R134a and R22
- Robust design with good component accessibility
- Wide range of quality accessories
- Proven reliability



## Copeland™ Stream Four And Six Cylinders Compressors (4M,6M) For 13-40HP With Discus Technology

Copeland™ Stream Condensing Units are Emerson's latest innovative development in the Semi-Hermetic segment. This platform responds to advanced system requirements focusing on efficiency, refrigerant flexibility and reliability.



## Energy Savings Through Superior Efficiency

With increasing energy costs, system efficiency became the key driver to cut life cycle costs of the installation. Thus energy efficiency is at the forefront of new product design at Emerson.

- The unique Discus™ valve technology improves the efficiency of the Stream compressor
- Generously sized condensers lower the condensing pressure and increase savings

## Multiple Refrigerant Approvals Increasing Flexibility For System Design

Refrigerants are usually chosen by application, costs and environmental impact. With more refrigerants in the market it becomes increasingly important that a system can operate as flexibly as possible. Stream units are approved for operation with R404A, R134a, R407A, R407C, R407F and R22. The benefits are:

- One model fits all refrigerants (universality)
- Design flexibility
- Less variation of refrigeration equipment
- Easier logistics & lower stock levels

## Maximum Reliability Through CoreSense™ Diagnostics

Besides durable design and the precisely adjusted components CoreSense™ further improves reliability featuring added protection and diagnostics:

- Motor overheat protection
- Oil level protection
- High discharge temperature protection
- Advanced motor protection against single phasing, locked rotor and voltage imbalance
- Alarm history
- LED status display



# Standard – R22

380-420V/50Hz/3 Phase

Condensing Unit		Ambient Temp. (°C)	Evaporating Temperature (°C)												
			-40	-35	-30	-25	-20	-15	-10	-5	0	5	7	10	12.5
B8-KJ-10X	Capacity kW	27	0.57	0.77	1.02	1.32	1.67	2.06	2.5	2.98	3.5	4.05	4.28	4.63	4.94
		32	0.51	0.7	0.94	1.22	1.55	1.92	2.34	2.79	3.28	3.81	4.03	4.36	4.65
		38	0.44	0.62	0.84	1.1	1.41	1.76	2.14	2.57	3.03	3.52	3.73		
		43	0.39	0.55	0.76	1.01	1.29	1.62	1.98	2.38	2.82				
		46	0.35	0.51	0.71	0.95	1.22	1.54	1.89	2.27					
	Total Power Input kW	27	0.59	0.66	0.75	0.84	0.93	1.02	1.12	1.23	1.34	1.46	1.51	1.58	1.65
		32	0.59	0.67	0.76	0.85	0.95	1.06	1.17	1.28	1.4	1.54	1.59	1.67	1.75
		38	0.59	0.68	0.77	0.87	0.98	1.09	1.22	1.34	1.48	1.62	1.68		
		43	0.58	0.67	0.77	0.88	1	1.12	1.25	1.39	1.53				
		46	0.58	0.67	0.77	0.89	1	1.13	1.27	1.41					
D8-KSJ-15X	Capacity kW	27		1.08	1.4	1.8	2.26	2.79	3.37	4.01	4.7	5.44	5.75	6.23	
		32	0.75	0.99	1.3	1.67	2.11	2.61	3.17	3.77	4.43	5.13	5.43	5.88	
		38	0.67	0.89	1.18	1.53	1.94	2.4	2.92	3.49	4.11				
		43	0.6	0.81	1.08	1.41	1.79	2.23	2.72	3.26					
		46	0.56	0.76	1.02	1.34	1.71	2.13	2.6	3.12					
	Total Power Input kW	27		0.89	0.98	1.08	1.18	1.28	1.39	1.49	1.58	1.67	1.71	1.75	
		32	0.8	0.89	1	1.11	1.22	1.34	1.46	1.57	1.68	1.79	1.82	1.88	
		38	0.79	0.9	1.01	1.14	1.27	1.4	1.53	1.66	1.79				
		43	0.78	0.9	1.02	1.16	1.3	1.44	1.59	1.73					
		46	0.77	0.89	1.02	1.17	1.31	1.46	1.62	1.77					
H8-KSL-20X	Capacity kW	27	1.16	1.57	2.06	2.63	3.29	4.04	4.88	5.83					
		32	1.05	1.45	1.91	2.46	3.08	3.79	4.6	5.5					
		38	0.93	1.3	1.74	2.25	2.83	3.5	4.26						
		43	0.83	1.19	1.6	2.08	2.63	3.26							
		46	0.78	1.12	1.52	1.98	2.51	3.12							
	Total Power Input kW	27	1.15	1.31	1.47	1.62	1.78	1.93	2.09	2.23					
		32	1.15	1.32	1.49	1.67	1.85	2.03	2.2	2.37					
		38	1.15	1.33	1.52	1.72	1.92	2.12	2.32						
		43	1.14	1.33	1.54	1.75	1.97	2.19							
		46	1.13	1.33	1.54	1.77	2	2.23							
H8-LE-20X	Capacity kW	27	0.97	1.38	1.9	2.52	3.26	4.1	5.06	6.14	7.34	8.65	9.21	10.1	10.85
		32	0.84	1.23	1.72	2.31	3	3.8	4.71	5.74	6.87	8.12	8.66	9.48	
		38	0.69	1.06	1.51	2.06	2.71	3.45	4.3	5.26	6.33	7.51	8		
		43	0.57	0.92	1.35	1.86	2.47	3.17	3.98	4.88	5.89				
		46	0.5	0.84	1.25	1.75	2.33	3.01	3.78	4.66	5.63				
	Total Power Input kW	27	1.21	1.35	1.51	1.67	1.83	2	2.17	2.34	2.51	2.67	2.74	2.84	2.92
		32	1.18	1.34	1.51	1.69	1.87	2.06	2.25	2.44	2.63	2.82	2.9	3.01	
		38	1.15	1.32	1.5	1.7	1.91	2.12	2.34	2.56	2.77	2.99	3.08		
		43	1.11	1.3	1.5	1.71	1.93	2.16	2.4	2.64	2.88				
		46	1.09	1.28	1.49	1.71	1.94	2.19	2.43	2.69	2.94				
P8-LF-30X	Capacity kW	27			2.69	3.57	4.6	5.79	7.11	8.57	10.15	11.85	12.55	13.65	14.6
		32	1.25	1.78	2.46	3.29	4.27	5.39	6.65	8.04	9.54	11.15	11.85	12.9	13.8
		38	1.07	1.55	2.19	2.97	3.88	4.94	6.12	7.42	8.84	10.35	11	12	12.85
		43	0.92	1.37	1.97	2.71	3.57	4.57	5.68	6.92	8.26	9.7	10.3		
		46	0.84	1.27	1.85	2.56	3.39	4.35	5.43	6.62	7.92	9.32	9.9		
	Total Power Input kW	27			1.87	2.1	2.33	2.55	2.77	2.98	3.17	3.34	3.4	3.48	3.54
		32	1.44	1.66	1.89	2.14	2.39	2.64	2.89	3.12	3.34	3.54	3.62	3.72	3.79
		38	1.41	1.65	1.91	2.18	2.46	2.74	3.01	3.28	3.54	3.77	3.86	3.98	4.08
		43	1.39	1.64	1.91	2.2	2.5	2.81	3.11	3.4	3.68	3.95	4.05		
		46	1.37	1.63	1.91	2.21	2.53	2.84	3.16	3.47	3.77	4.05	4.16		
P8-LJ-30X	Capacity kW	27		2.3	3.13	4.12	5.28	6.59	8.04	9.62	11.3	13.1	13.85	15	15.95
		32	1.47	2.07	2.85	3.79	4.89	6.13	7.51	9	10.6	12.3	13	14.1	
		38	1.25	1.81	2.53	3.41	4.44	5.61	6.89	8.29	9.8	11.4			
		43	1.09	1.61	2.29	3.12	4.09	5.19	6.4	7.72	9.14				
		46	1	1.5	2.15	2.95	3.88	4.94	6.12	7.39	8.76				
	Total Power Input kW	27		1.8	2.07	2.35	2.62	2.9	3.17	3.42	3.66	3.87	3.95	4.05	4.13
		32	1.54	1.81	2.09	2.39	2.7	3	3.3	3.58	3.85	4.09	4.18	4.3	
		38	1.51	1.8	2.11	2.44	2.77	3.1	3.43	3.75	4.05	4.33			
		43	1.48	1.79	2.12	2.46	2.82	3.18	3.53	3.88	4.22				
		46	1.46	1.78	2.12	2.48	2.85	3.22	3.59	3.96	4.31				
P8-LL-40X	Capacity kW	27	2.22	3.01	4	5.19	6.56	8.09	9.78	11.6	13.55	15.6	16.45	17.75	
		32	1.99	2.73	3.67	4.8	6.1	7.56	9.16	10.9	12.75	14.7	15.5		
		38		2.42	3.3	4.35	5.57	6.94	8.44	10.05	11.8				
		43		2.18	3.01	4	5.15	6.44	7.86	9.4	11.05				
		46		2.04	2.84	3.8	4.91	6.15	7.52	9.01					
	Total Power Input kW	27	1.93	2.21	2.51	2.83	3.17	3.52	3.88	4.25	4.62	4.99	5.14	5.36	
		32	1.93	2.23	2.55	2.9	3.27	3.65	4.04	4.45	4.86	5.27	5.44		
		38		2.25	2.6	2.97	3.37	3.79	4.23	4.68	5.14				
		43		2.26	2.63	3.03	3.46	3.91	4.38	4.86	5.36				
		46		2.26	2.64	3.06	3.5	3.97	4.46	4.97					

Operating Conditions: 20 °C Return Gas Temperature  
 Stated Power Values are inclusive of fan motor power

# Standard – R22

380-420V/50Hz/3 Phase

Condensing Unit		Ambient Temp. (°C)	Evaporating Temperature (°C)													
			-40	-35	-30	-25	-20	-15	-10	-5	0	5	7	10	12.5	
R7-2SA-45X	Capacity kW	27	2.85	3.83	4.99	6.34	7.89	9.65	11.65							
		32	2.6	3.54	4.65	5.93	7.41	9.09								
		38	2.31	3.2	4.25	5.46	6.85									
		43	2.08	2.93	3.92	5.07	6.39									
		46		2.77	3.73	4.84	6.12									
	Total Power Input kW	27	2.56	2.93	3.31	3.71	4.11	4.54	4.98							
		32	2.57	2.97	3.38	3.81	4.26	4.73								
		38	2.56	3	3.45	3.93	4.42									
		43	2.54	3.01	3.5	4.01	4.55									
		46		3.01	3.52	4.06	4.62									
M9-2SA-55X	Capacity kW	27					6.85	8.63	10.6	12.8	15.2	17.7	18.75	20.4	21.7	
		32						8.08	9.95	12	14.25	16.6	17.6	19.1	20.3	
		38							9.18	11.05	13.1	15.3	16.15			
		43								10.3	12.2					
		46								9.85						
	Total Power Input kW	27					4.12	4.54	4.96	5.4	5.87	6.41	6.65	7.03	7.38	
		32						4.72	5.19	5.67	6.18	6.75	7	7.4	7.76	
		38							5.42	5.97	6.54	7.16	7.42			
		43								6.19	6.82					
		46								6.31						
S9-2SC-55X	Capacity kW	27	3.42	4.64	6.07	7.72	9.63									
		32	3.12	4.28	5.64	7.22										
		38	2.77	3.87	5.15											
		43	2.5	3.55	4.76											
		46		3.36	4.54											
	Total Power Input kW	27	3	3.47	3.95	4.45	4.95									
		32	3.02	3.53	4.05	4.59										
		38	3.03	3.58	4.15											
		43	3.03	3.61	4.23											
		46		3.63	4.27											
S9-2SC-65X	Capacity kW	27					9.98	12.1	14.4	16.9	19.55	22.4	23.5	25.3	26.8	
		32					9.15	11.1	13.25	15.5	17.95	20.5	21.6	23.2	24.6	
		38							11.85	13.85	16.05	18.3	19.25	20.7	21.9	
		43							10.7	12.5	14.45	16.45	17.3			
		46								11.7	13.5					
	Total Power Input kW	27					5.63	6.2	6.79	7.39	8	8.62	8.87	9.25	9.56	
		32					5.78	6.4	7.05	7.71	8.39	9.09	9.37	9.79	10.15	
		38							7.35	8.09	8.85	9.64	9.95	10.45	10.85	
		43							7.6	8.41	9.24	10.1	10.45			
		46								8.6	9.47					
V9-2SK-65X	Capacity kW	27				8.65	10.85	13.35	16.15	19.25						
		32					10.15	12.5	15.15	18.1						
		38							11.5	14	16.75					
		43							10.7	13.05	15.65					
		46								12.45	15					
	Total Power Input kW	27				5.2	5.8	6.44	7.1	7.8						
		32					5.97	6.68	7.44	8.24						
		38						6.96	7.82	8.75						
		43						7.19	8.14	9.17						
		46							8.33	9.41						
V9-3SA-75X	Capacity kW	27			7.99	10.15	12.7	15.6	18.9	22.6	26.6	28.3	30.9	33.2		
		32				9.47	11.85	14.6	17.7	21.2	25	26.6	29.1	31.3		
		38					10.9	13.45	16.35	19.55	23.1	24.6	26.9	29		
		43						12.5	15.2	18.25	21.6	23				
		46							14.55	17.45						
	Total Power Input kW	27			4.91	5.44	5.99	6.56	7.15	7.79	8.49	8.79	9.26	9.68		
		32				5.57	6.18	6.83	7.5	8.23	9.02	9.35	9.88	10.35		
		38					6.4	7.13	7.91	8.74	9.64	10	10.6	11.15		
		43						7.37	8.23	9.15	10.15	10.55				
		46							8.42	9.4						
V6-3SC-75X	Capacity kW	27	4.3	5.97	7.99	10.4	13.15	16.35	19.95	24						
		32	3.8	5.38	7.28	9.55	12.2	15.2	18.65	22.5						
		38	3.23	4.69	6.45	8.56	11.05	13.85	17.1	20.7						
		43	2.77	4.13	5.78	7.76	10.1	12.75	15.8	19.25						
		46	2.51	3.81	5.39	7.29	9.52	12.1								
	Total Power Input kW	27	4.12	4.7	5.3	5.94	6.61	7.34	8.13	8.99						
		32	4.1	4.73	5.38	6.07	6.8	7.58	8.42	9.35						
		38	4.04	4.74	5.46	6.22	7.01	7.87	8.79	9.8						
		43	3.96	4.72	5.51	6.33	7.2	8.12	9.11	10.2						
		46	3.9	4.71	5.53	6.4	7.3	8.27								

Operating Conditions: 20 °C Return Gas Temperature  
 Stated Power Values are inclusive of fan motor power

# Standard – R22

380-420V/50Hz/3 Phase

Condensing Unit	Ambient Temp. (°C)	Evaporating Temperature (°C)													
		-40	-35	-30	-25	-20	-15	-10	-5	0	5	7	10	12.5	
V6-3SC-100X	Capacity kW	27				10	12.6	15.7	19.2	23.2	27.8	32.8	35	38.3	41.3
		32				11.85	14.7	18.05	21.8	26.1	30.9	32.9	36.1	38.9	
		38					13.6	16.7	20.2	24.2	28.6	30.5	33.5	36	
		43						15.6	18.9	22.6	26.8	28.5	31.3	33.7	
	46							18.15	21.7	25.7	27.4				
	Total Power Input kW	27				6.19	6.79	7.39	7.99	8.61	9.25	9.92	10.2	10.65	11.05
		32					7.02	7.7	8.39	9.1	9.84	10.6	10.95	11.45	11.9
		38						8.05	8.85	9.67	10.55	11.45	11.8	12.4	12.9
43								9.21	10.15	11.1	12.1	12.5	13.15	13.75	
46								10.4	11.4	12.5	12.95				
W9-3SS-100X	Capacity kW	27	5.69	7.94	10.6	13.65	17.15	21.1	25.5	30.3					
		32	5.05	7.2	9.72	12.65	15.95	19.7	23.9	28.5					
		38	4.31	6.34	8.71	11.45	14.55	18.05	22	26.3					
		43	3.72	5.65	7.9	10.5	13.4	16.75							
	46	3.39	5.26	7.43	9.92	12.75									
	Total Power Input kW	27	5.38	6.27	7.18	8.14	9.16	10.3	11.5	12.9					
		32	5.37	6.33	7.31	8.33	9.42	10.6	11.9	13.35					
		38	5.33	6.38	7.45	8.56	9.72	11	12.35	13.85					
43		5.28	6.42	7.56	8.75	9.99	11.3								
46	5.24	6.43	7.63	8.86	10.15										
W9-3SS-150X	Capacity kW	27				13.8	17.2	21.1	25.4	30.4	35.7	41.6	44.1	47.9	51.2
		32					16.15	19.8	24	28.6	33.7	39.2	41.5	45.1	48.2
		38							22.2	26.5	31.2	36.3	38.5	41.8	44.7
		43							20.8	24.8	29.2	34			
	46								23.8						
	Total Power Input kW	27				8.36	9.25	10.2	11.15	12.2	13.35	14.55	15.1	15.95	16.65
		32					9.5	10.55	11.6	12.8	14.05	15.4	16	16.9	17.75
		38							12.15	13.5	14.9	16.45	17.1	18.15	19.05
43								12.65	14.1	15.65	17.35				
46								14.45							
Z9-4SA-200X	Capacity kW	27					20.5	25.4	31	37.4	44.5	52.4	55.8	61.1	65.8
		32					19.2	23.9	29.2	35.2	41.9	49.4	52.6	57.7	62.1
		38						22	26.9	32.5	38.8	45.8	48.8	53.5	57.6
		43							25.1	30.4	36.3	42.8	45.6	50	53.9
	46							24	29.1	34.7	41	43.7	48	51.7	
	Total Power Input kW	27					10.05	10.9	11.75	12.55	13.35	14.1	14.4	14.85	15.2
		32					10.4	11.35	12.3	13.25	14.15	15.1	15.45	16	16.4
		38						11.9	12.95	14.05	15.15	16.2	16.65	17.3	17.85
43								13.45	14.65	15.9	17.1	17.6	18.35	18.95	
46								13.75	15.05	16.3	17.65	18.15	18.95	19.6	

# Stream-R22

380-420V/50Hz/3 Phase

Condensing Unit	Ambient Temp. (°C)	Evaporating Temperature (°C)													
		-40	-35	-30	-25	-20	-15	-10	-5	0	5	7	10	12.5	
Z9-4MA-22X	Capacity kW	27				19.25	24.1	29.6	35.9	43	50.9	59.7	63.4	69.3	74.4
		32				17.9	22.6	27.9	33.9	40.6	48.1	56.5	60	65.6	70.4
		38					20.7	25.7	31.4	37.7	44.8	52.5	55.8	61	65.6
		43					19.15	23.9	29.3	35.3	41.9	49.2	52.4	57.3	61.5
	46						22.9	28	33.8	40.2	47.3	50.3	55		
	Total Power Input kW	27				9.61	10.6	11.55	12.5	13.45	14.35	15.25	15.6	16.1	16.55
		32				10.05	11.1	12.15	13.25	14.3	15.35	16.35	16.75	17.4	17.85
		38					11.65	12.85	14.05	15.25	16.45	17.65	18.1	18.8	19.35
43						12.1	13.4	14.7	16	17.3	18.6	19.15	19.9	20.5	
46						13.65	15.05	16.45	17.8	19.2	19.7	20.5			
Z9-4MH-25X	Capacity kW	27				22.3	27.7	33.8	40.7	48.5	57.1	66.5	70.6	76.8	82.3
		32				20.8	26	31.9	38.5	45.8	54	63	66.8	72.7	77.9
		38					24	29.6	35.8	42.7	50.3	58.6	62.2	67.7	72.5
		43						27.6	33.5	40	47.2	55	58.3	63.5	68.1
	46						26.5	32.1	38.4	45.3	52.8				
	Total Power Input kW	27				11.35	12.5	13.7	14.9	16.1	17.3	18.55	19.05	19.8	20.4
		32				11.85	13.1	14.4	15.75	17.1	18.45	19.8	20.4	21.2	21.9
		38					13.8	15.25	16.7	18.2	19.7	21.2	21.8	22.8	23.5
43							15.9	17.5	19.1	20.7	22.4	23	24	24.8	
46							16.3	17.9	19.6	21.3	23				

Operating Conditions: 20 °C Return Gas Temperature  
 Stated Power Values are inclusive of fan motor power



# Stream-R22

380-420V/50Hz/3 Phase

Condensing Unit	Ambient Temp. (°C)	Evaporating Temperature (°C)													
		-40	-35	-30	-25	-20	-15	-10	-5	0	5	7	10	12.5	
Z9-4MI-30X	Capacity kW	27				24.4	30	36.3	43.4	51.3	60	69.6	73.6	79.9	85.3
		32				22.8	28.2	34.2	40.9	48.4	56.7	65.6	69.4	75.3	80.4
		38					26	31.7	38	44.9	52.6	60.9	64.4	69.8	74.6
		43						29.6	35.5	42	49.1	56.9	60.2	65.3	
		46							34	40.3	47.1				
	Total Power Input kW	27				12.5	13.8	15.2	16.65	18.1	19.65	21.2	21.8	22.8	23.6
		32				13.05	14.5	16	17.55	19.15	20.8	22.5	23.1	24.2	25
		38					15.3	16.9	18.55	20.3	22.1	23.9	24.6	25.7	26.6
		43						17.6	19.35	21.2	23.1	25	25.7	26.9	
		46							19.8	21.7	23.6				
Z9-4MJ-33X	Capacity kW	27				27	33.2	40.1	47.8	56.4	65.8	76	80.3	87	92.7
		32				25.3	31.2	37.8	45.1	53.2	62.1	71.7	75.7	82	87.4
		38					28.8	35	41.8	49.4	57.5	66.4	70.2	75.9	80.9
		43						32.6	39.1	46.1	53.8	62			
		46							37.4	44.2	51.5				
	Total Power Input kW	27				13.9	15.45	17.1	18.75	20.5	22.3	24.2	25	26.1	27.1
		32				14.55	16.2	17.95	19.75	21.6	23.6	25.5	26.4	27.6	28.6
		38					17.05	18.95	20.9	22.9	24.9	27.1	27.9	29.3	30.4
		43						19.7	21.7	23.8	26	28.3			
		46							22.2	24.4	26.6				
W99-4MK-35X	Capacity kW	27				30.5	37.5	45.2	54	63.6	74.1	85.5	90.3	97.7	104
		32					35.2	42.6	50.9	60	69.9	80.6	85.1	92.1	98.1
		38					32.5	39.5	47.2	55.6	64.8	74.7	78.8	85.3	90.8
		43						36.8	44	51.9	60.5	69.7			
		46							42.2	49.7					
	Total Power Input kW	27				15.6	17.4	19.25	21.2	23.2	25.3	27.4	28.3	29.7	30.8
		32					18.2	20.2	22.3	24.4	26.7	29	29.9	31.3	32.5
		38					19.2	21.3	23.5	25.8	28.2	30.7	31.7	33.2	34.5
		43						22.2	24.5	26.9	29.4	32			
		46							25.1	27.5					
W99-6MI-40X	Capacity kW	27				35.7	44.1	53.5	64	75.4	87.8	101	106.5	115	122.5
		32					41.3	50.3	60.2	71	82.7	95.2	100.5	108.5	115.5
		38						46.4	55.7	65.8	76.6	88.2			
		43							51.9	61.3					
		46													
	Total Power Input kW	27				18.95	21.2	23.5	26	28.6	31.3	34.1	35.2	37	38.5
		32					22.1	24.7	27.3	30	32.9	35.9	37.1	39	40.6
		38						26	28.8	31.7	34.8	38			
		43							29.9	33					
		46													

# 2-Stage R22

380-420V/50Hz/3 Phase

Condensing Unit	Ambient Temp. (°C)	Evaporating Temperature (°C)										
		-60	-55	-50	-45	-40	-35	-30	-25	-20		
Z9-6TH-200X	Capacity kW	27				9.6	12.1	15.05	18.7	23	28	33.9
		32				9.43	11.85	14.85	18.4	22.6	27.6	33.4
		38				9.16	11.55	14.45	17.95	22.1	26.9	32.6
		43					11.25	14.1	17.5	21.6	26.3	31.9
		46					11.05	13.85	17.2	21.2		
	Total Power Input kW	27				9.91	10.85	11.95	13.1	14.45	15.9	17.55
		32				10.35	11.35	12.55	13.85	15.35	17	18.8
		38				10.8	11.95	13.3	14.8	16.45	18.3	20.4
		43					12.45	13.9	15.55	17.4	19.45	21.8
		46					12.75	14.3	16	17.95		
W99-6TJ-250X	Capacity kW	27				10.3	13.2	16.75	21	26.1	32.1	39.1
		32				10	12.9	16.4	20.6	25.7	31.6	38.5
		38				9.63	12.5	15.95	20.1	25	30.9	37.6
		43					12.05	15.45	19.55	24.4	30.1	36.8
		46					11.75	15.15	19.2	24		
	Total Power Input kW	27				10.5	11.75	13.15	14.7	16.45	18.3	20.4
		32				10.95	12.3	13.8	15.5	17.4	19.45	21.7
		38				11.45	12.95	14.6	16.45	18.55	20.8	23.4
		43					13.45	15.25	17.25	19.5	22	24.8
		46					13.75	15.6	17.75	20.1		

Operating Conditions: 20 °C Return Gas Temperature  
Stated Power Values are inclusive of fan motor power

# Standard – R404A

380-420V/50Hz/3 Phase

Condensing Unit		Ambient Temp. (°C)	Evaporating Temperature (°C)											
			-40	-35	-30	-25	-20	-15	-10	-5	0	5	7	10
B8-KJ-10X	Capacity kW	27	0.66	0.9	1.17	1.48	1.82	2.2	2.6	3.03	3.48	3.95	4.14	
		32	0.58	0.8	1.05	1.34	1.66	2	2.38	2.77	3.19	3.62		
		38	0.48	0.69	0.92	1.18	1.46	1.77	2.11	2.47				
		43	0.4	0.59	0.81	1.04	1.31	1.59						
		46	0.36	0.54	0.75	0.97	1.21							
	Total Power Input kW	27	0.67	0.77	0.88	0.99	1.1	1.22	1.34	1.47	1.6	1.73	1.79	
		32	0.66	0.77	0.88	1	1.12	1.25	1.38	1.52	1.66	1.81		
		38	0.64	0.76	0.88	1.01	1.15	1.28	1.43	1.58				
		43	0.63	0.75	0.88	1.02	1.16	1.31						
		46	0.62	0.74	0.88	1.02	1.16							
D8-KSJ-15X	Capacity kW	27	0.92	1.23	1.58	1.98	2.44	2.95	3.52	4.14	4.81			
		32	0.82	1.11	1.43	1.81	2.24	2.71	3.24	3.82				
		38	0.71	0.97	1.27	1.61	1.99	2.43	2.91					
		43	0.61	0.86	1.13	1.44	1.79	2.19	2.63					
		46	0.56	0.79	1.05	1.34	1.68	2.05						
	Total Power Input kW	27	0.85	0.98	1.11	1.26	1.4	1.55	1.69	1.82	1.96			
		32	0.83	0.97	1.12	1.27	1.43	1.59	1.75	1.91				
		38	0.82	0.96	1.11	1.28	1.46	1.64	1.82					
		43	0.81	0.95	1.11	1.29	1.48	1.67	1.87					
		46	0.8	0.95	1.12	1.3	1.49	1.69						
H8-KSL-20X	Capacity kW	27	1.38	1.83	2.35	2.94	3.62	4.38	5.21	6.13				
		32	1.24	1.66	2.15	2.7	3.33	4.04	4.82	5.67				
		38	1.07	1.46	1.9	2.41	2.99	3.63	4.34					
		43	0.94	1.3	1.71	2.17	2.7	3.29						
		46	0.86	1.2	1.59	2.03	2.53	3.09						
	Total Power Input kW	27	1.28	1.45	1.63	1.83	2.03	2.24	2.46	2.69				
		32	1.27	1.46	1.66	1.87	2.09	2.32	2.56	2.81				
		38	1.26	1.46	1.68	1.91	2.15	2.4	2.67					
		43	1.24	1.46	1.69	1.93	2.2	2.47						
		46	1.23	1.46	1.69	1.95	2.22	2.51						
H8-LE-20X	Capacity kW	27	1.07	1.57	2.14	2.8	3.55	4.39	5.31	6.32	7.41	8.57	9.06	9.8
		32	0.86	1.33	1.88	2.5	3.2	3.98	4.83	5.76	6.77	7.84	8.29	
		38	0.6	1.05	1.56	2.14	2.78	3.48	4.26	5.1	6	6.97		
		43		0.82	1.3	1.84	2.43	3.07	3.78	4.54				
		46		0.69	1.15	1.66	2.22	2.83	3.49					
	Total Power Input kW	27	1.1	1.27	1.45	1.64	1.83	2.03	2.24	2.45	2.66	2.88	2.97	3.11
		32	1.05	1.24	1.44	1.64	1.85	2.07	2.3	2.53	2.77	3.01	3.12	
		38	0.99	1.18	1.4	1.62	1.86	2.1	2.36	2.62	2.88	3.16		
		43		1.12	1.35	1.59	1.85	2.12	2.39	2.68				
		46		1.08	1.32	1.57	1.84	2.12	2.41					
P8-LF-30X	Capacity kW	27	1.74	2.41	3.2	4.09	5.12	6.26	7.53	8.92	10.4	12.05	12.7	
		32	1.51	2.14	2.87	3.71	4.66	5.72	6.9	8.19	9.6	11.1	11.75	
		38	1.24	1.82	2.49	3.26	4.12	5.09	6.16	7.34	8.62			
		43	1.02	1.56	2.18	2.89	3.68	4.57	5.55	6.63				
		46	0.9	1.41	2	2.67	3.42	4.26	5.19					
	Total Power Input kW	27	1.61	1.85	2.09	2.33	2.57	2.8	3.04	3.28	3.52	3.78	3.88	
		32	1.59	1.85	2.11	2.37	2.64	2.9	3.16	3.43	3.71	3.99	4.1	
		38	1.53	1.81	2.1	2.39	2.69	2.98	3.28	3.58	3.89			
		43	1.47	1.77	2.08	2.39	2.71	3.03	3.35	3.68				
		46	1.43	1.74	2.06	2.38	2.71	3.04	3.38					
P8-LJ-30X	Capacity kW	27	1.96	2.69	3.54	4.51	5.61	6.84	8.19	9.66	11.25	12.95	13.65	
		32	1.7	2.38	3.17	4.07	5.09	6.23	7.48	8.85	10.35	11.9	12.6	
		38	1.38	2.01	2.74	3.56	4.48	5.51	6.65	7.9	9.25			
		43	1.12	1.71	2.38	3.13	3.98	4.92	5.97	7.11				
		46	0.97	1.53	2.16	2.88	3.68	4.57	5.56					
	Total Power Input kW	27	1.75	2.05	2.35	2.64	2.94	3.23	3.52	3.81	4.09	4.36	4.47	
		32	1.7	2.02	2.34	2.67	3	3.32	3.64	3.96	4.28	4.59	4.72	
		38	1.63	1.97	2.33	2.68	3.05	3.41	3.77	4.14	4.5			
		43	1.57	1.93	2.31	2.69	3.08	3.48	3.87	4.27				
		46	1.54	1.91	2.3	2.69	3.1	3.52	3.93					

Operating Conditions: 20 °C Return Gas Temperature  
 Stated Power Values are inclusive of fan motor power

# Standard – R404A

380-420V/50Hz/3 Phase

Condensing Unit		Ambient Temp. (°C)	Evaporating Temperature (°C)												
			-40	-35	-30	-25	-20	-15	-10	-5	0	5	7	10	12.5
P8-LL-40X	Capacity kW	27	2.42	3.29	4.31	5.48	6.81	8.29	9.93	11.7	13.65	15.7			
		32	2.12	2.93	3.87	4.97	6.2	7.59	9.12	10.8	12.6				
		38	1.75	2.49	3.36	4.35	5.48	6.74	8.14	9.67					
		43	1.45	2.14	2.93	3.84	4.88	6.04	7.33						
		46	1.28	1.92	2.67	3.53	4.52								
	Total Power Input kW	27	2.07	2.38	2.71	3.07	3.45	3.86	4.29	4.76	5.26	5.8			
		32	2.04	2.39	2.75	3.15	3.56	4.01	4.49	4.99	5.54				
		38	1.97	2.36	2.77	3.21	3.68	4.17	4.69	5.25					
		43	1.87	2.29	2.74	3.22	3.73	4.26	4.83						
		46	1.77	2.22	2.7	3.21	3.74								
R7-2SA-45X	Capacity kW	27		4.14	5.34	6.71	8.23	9.91	11.75	13.7					
		32		3.73	4.85	6.12	7.53	9.09	10.8	12.6					
		38			4.27	5.42	6.7	8.11	9.64	11.3					
		43			3.79	4.84	6.01	7.3							
		46				4.5	5.6								
	Total Power Input kW	27		3.38	3.87	4.37	4.89	5.42	5.96	6.53					
		32		3.38	3.9	4.45	5.01	5.59	6.19	6.81					
		38			3.93	4.52	5.14	5.77	6.44	7.12					
		43			3.93	4.56	5.22	5.9							
		46				4.57	5.26								
M9-2SA-55X	Capacity kW	27			5.13	6.47	7.95	9.54	11.2	12.95	14.75	16.55	17.25		
		32			4.66	5.9	7.26	8.72	10.25	11.8	13.4				
		38			4.09	5.22	6.44	7.73	9.07						
		43				4.65	5.76								
		46				4.31									
	Total Power Input kW	27			3.68	4.21	4.74	5.28	5.84	6.42	7.03	7.68	7.95		
		32			3.72	4.29	4.87	5.45	6.04	6.66	7.3				
		38			3.73	4.35	4.98	5.61	6.25						
		43				4.36	5.03								
		46				4.33									
S9-2SC-55X	Capacity kW	27	3.53	4.8	6.28	7.98	9.89	12	14.3	16.8					
		32	3.14	4.33	5.71	7.29	9.06	11	13.15	15.45					
		38		3.75	5.01	6.44	8.05	9.82	11.75	13.85					
		43			4.43	5.74	7.2	8.81							
		46			4.08	5.31	6.69								
	Total Power Input kW	27	3.12	3.69	4.29	4.9	5.54	6.2	6.87	7.56					
		32	3.07	3.68	4.31	4.98	5.67	6.38	7.12	7.87					
		38		3.62	4.3	5.02	5.77	6.55	7.36	8.19					
		43			4.26	5.02	5.81	6.64							
		46			4.22	5	5.82								
S9-2SC-65X	Capacity kW	27			6.34	8	9.87	11.95	14.2	16.6	19.2	21.9	23		
		32			5.74	7.31	9.05	10.95	13.05	15.25	17.6	20.1	21.1		
		38			5.04	6.49	8.08	9.8	11.65	13.65	15.7				
		43			4.47	5.83	7.28	8.85							
		46				5.43	6.81								
	Total Power Input kW	27			4.57	5.1	5.65	6.23	6.83	7.45	8.09	8.74	9		
		32			4.63	5.19	5.79	6.43	7.09	7.77	8.48	9.2	9.49		
		38			4.7	5.3	5.96	6.65	7.39	8.15	8.93				
		43			4.77	5.41	6.1	6.85							
		46				5.48	6.2								
V9-2SK-65X	Capacity kW	27	4.21	5.77	7.55	9.56	11.8	14.3	17	19.9					
		32		5.18	6.85	8.73	10.8	13.1	15.6	18.3					
		38			6.04	7.75	9.65	11.75	14	16.45					
		43			5.38	6.95	8.69	10.6							
		46				6.49	8.13								
	Total Power Input kW	27	3.78	4.43	5.09	5.79	6.52	7.3	8.12	9.01					
		32		4.45	5.16	5.91	6.7	7.53	8.41	9.36					
		38			5.22	6.02	6.87	7.77	8.72	9.73					
		43			5.24	6.09	6.99	7.94							
		46				6.13	7.05								

Operating Conditions: 20 °C Return Gas Temperature  
 Stated Power Values are inclusive of fan motor power

# Standard – R404A

380-420V/50Hz/3 Phase

Condensing Unit		Ambient Temp. (°C)	Evaporating Temperature (°C)										
			-40	-35	-30	-25	-20	-15	-10	-5	0	5	7
V9-3SA-75X	Capacity kW	27			7.24	9.23	11.5	14.05	16.8	19.8	23	26.3	27.6
		32			6.54	8.4	10.5	12.85	15.4	18.1	21	24	25.3
		38			5.7	7.4	9.31	11.4	13.65	16.1	18.65		
		43			5	6.57	8.31	10.2	12.25				
		46				6.07	7.71						
	Total Power Input kW	27			4.65	5.32	6.02	6.74	7.48	8.23	8.97	9.68	9.96
		32			4.67	5.38	6.12	6.9	7.69	8.49	9.29	10.05	10.35
		38			4.65	5.4	6.2	7.03	7.89	8.75	9.61		
		43			4.6	5.38	6.22	7.09	8				
		46				5.35	6.21						
V6-3SC-75X	Capacity kW	27	4.95	6.72	8.82	11.25	14.05	17.15	20.6	24.3			
		32		6.03	7.97	10.2	12.8	15.65	18.85	22.3			
		38		5.23	6.96	8.98	11.3	13.85	16.75	19.85			
		43			6.14	7.96	10.05	12.35	15	17.85			
		46			5.66	7.35	9.29	11.5					
	Total Power Input kW	27	4.33	5.08	5.88	6.71	7.57	8.45	9.34	10.25			
		32		5.11	5.95	6.82	7.73	8.67	9.63	10.6			
		38		5.12	6	6.93	7.89	8.9	9.93	11			
		43			6.02	6.98	8	9.05	10.15	11.25			
		46			6.02	7	8.04	9.13					
V6-3SC-100X	Capacity kW	27			9.24	11.7	14.5	17.65	21.1	24.8	28.8	33	34.8
		32			8.41	10.7	13.35	16.25	19.4	22.8	26.5	30.3	31.9
		38			7.43	9.54	11.9	14.5	17.35	20.4	23.7	27.1	
		43			6.6	8.56	10.7	13.1	15.65				
		46				7.97	10	12.2					
	Total Power Input kW	27			5.99	6.75	7.54	8.35	9.17	9.99	10.8	11.6	11.9
		32			6.06	6.87	7.73	8.61	9.5	10.4	11.3	12.15	12.5
		38			6.09	6.97	7.9	8.86	9.83	10.8	11.8	12.75	
		43			6.08	7.01	8	9.02	10.05				
		46				7.02	8.04	9.1					
W9-3SS-100X	Capacity kW	27	7.07	9.35	11.95	14.95	18.25	21.9	25.8	30			
		32		8.52	11	13.75	16.8	20.1	23.8	27.7			
		38			9.8	12.3	15.1	18.1	21.4	24.9			
		43			8.83	11.15	13.65	16.4					
		46				10.45							
	Total Power Input kW	27	5.94	6.88	7.91	9.02	10.2	11.5	12.85	14.3			
		32		6.94	8.01	9.18	10.45	11.8	13.25	14.8			
		38			8.13	9.37	10.7	12.15	13.75	15.4			
		43			8.25	9.52	10.95	12.45					
		46				9.63							
W9-3SS-150X	Capacity kW	27			12.5	15.6	19.05	22.9	27	31.4	36.1	41	42.9
		32			11.4	14.3	17.55	21.1	24.9	28.9	33.2	37.7	39.5
		38			10.15	12.8	15.75	18.95	22.3	26			
		43			9.08	11.6	14.25	17.15					
		46				10.85							
	Total Power Input kW	27			8.3	9.38	10.5	11.65	12.9	14.15	15.5	16.9	17.45
		32			8.41	9.57	10.8	12.05	13.35	14.7	16.1	17.55	18.15
		38			8.47	9.74	11.05	12.4	13.8	15.25			
		43			8.47	9.82	11.2	12.65					
		46				9.85							
Z9-4SA-200X	Capacity kW	27		10.25	13.55	17.45	21.9	27	32.6	38.9	45.7	53.1	56.2
		32			12.25	15.9	20.1	24.7	30	35.8	42.1	49	51.8
		38			10.8	14.1	17.85	22.1	26.8	32.1	37.8	44	46.6
		43			9.56	12.6	16.05	19.9	24.2	29	34.2	39.9	
		46			8.85	11.7	14.95	18.6	22.7	27.2			
	Total Power Input kW	27		7.89	8.97	10.05	11.15	12.2	13.25	14.25	15.25	16.2	16.6
		32			9.08	10.25	11.45	12.6	13.8	14.95	16.05	17.15	17.6
		38			9.15	10.45	11.75	13.05	14.35	15.65	16.95	18.25	18.75
		43			9.15	10.5	11.9	13.35	14.75	16.2	17.65	19.05	
		46				9.12	10.55	12	13.5	15	16.5		

Operating Conditions: 20 °C Return Gas Temperature  
 Stated Power Values are inclusive of fan motor power

# Stream-R404A

380-420V/50Hz/3 Phase

Condensing Unit		Ambient Temp. (°C)	Evaporating Temperature (°C)												
			-40	-35	-30	-25	-20	-15	-10	-5	0	5	7	10	12.5
V6-4MF-13X	Capacity kW	27	9.08	11.85	15	18.5	22.4	26.6	31	35.8					
		32		10.75	13.65	16.9	20.4	24.3	28.4	32.8					
		38		9.46	12.05	14.95	18.1	21.5	25.2						
		43			10.75	13.35	16.2								
	46				9.96										
	Total Power Input kW	27	6.96	8.11	9.31	10.55	11.9	13.25	14.7	16.25					
		32		8.22	9.5	10.85	12.25	13.75	15.25	16.9					
		38		8.3	9.68	11.15	12.65	14.25	15.9						
43				9.79	11.35	12.95									
46				9.84											
V6-4ML-15X	Capacity kW	27	11	14.2	17.8	21.8	26.1	30.6	35.5	40.5					
		32		13	16.35	20	23.9	28.1	32.6						
		38			14.55	17.85	21.4								
		43			13.05										
	46														
	Total Power Input kW	27	8.31	9.71	11.2	12.8	14.5	16.25	18.05	19.95					
		32		9.86	11.45	13.1	14.9	16.75	18.65						
		38			11.65	13.4	15.3								
43				11.8											
46															
Z9-4ML-15X	Capacity kW	27	11.8	15.45	19.65	24.5	30	36	42.8	50.1					
		32	10.75	14.2	18.1	22.6	27.7	33.3	39.5	46.3					
		38		12.65	16.25	20.3	24.9	30	35.6	41.8					
		43			14.65	18.4	22.6	27.2	32.4	38.1					
	46			13.7	17.25	21.2	25.6								
	Total Power Input kW	27	9.01	10.3	11.7	13.05	14.45	15.85	17.2	18.45					
		32	9.13	10.5	11.95	13.45	14.95	16.5	17.95	19.4					
		38		10.7	12.25	13.85	15.5	17.15	18.85	20.5					
43				12.45	14.15	15.9	17.7	19.5	21.3						
46			12.55	14.3	16.1	18									
W9-4MM-20X	Capacity kW	27	12.4	15.9	19.75	23.9	28.4	33	37.9	42.9					
		32		14.5	18.05	21.9	25.9	30.2	34.6						
		38			16	19.4	23								
		43			14.3										
	46														
	Total Power Input kW	27	9.28	10.8	12.4	14.1	15.95	17.85	19.95	22.1					
		32		10.95	12.7	14.5	16.45	18.5	20.7						
		38			12.95	14.9	17								
43				13.1											
46															
Z9-4MM-20X	Capacity kW	27	13.35	17.35	21.9	27	32.8	39.1	46.1	53.6					
		32	12.2	15.9	20.1	24.9	30.2	36.1	42.5	49.4					
		38		14.15	18	22.3	27.1	32.3	38.1	44.3					
		43			16.2	20.1	24.4	29.2	34.4						
	46			15.1	18.8	22.9									
	Total Power Input kW	27	9.96	11.35	12.75	14.2	15.65	17.15	18.7	20.2					
		32	10.1	11.6	13.1	14.7	16.3	17.95	19.65	21.3					
		38		11.8	13.5	15.2	17	18.85	20.7	22.6					
43				13.75	15.6	17.55	19.5	21.5							
46			13.85	15.8	17.8										
W9-4MT-22X	Capacity kW	27	13.75	17.45	21.5	26	30.7	35.8	41.1						
		32		15.9	19.7	23.8	28.1	32.8							
		38			17.45	21.1									
		43			15.6										
	46														
	Total Power Input kW	27	10.4	12.15	14.05	16.05	18.2	20.5	22.9						
		32		12.35	14.35	16.45	18.7	21.1							
		38			14.6	16.8									
43				14.7											
46															
Z9-4MT-22X	Capacity kW	27	14.95	19.25	24.2	29.8	36.1	43	50.7	59					
		32	13.65	17.65	22.2	27.4	33.3	39.7	46.9	54.6					
		38		15.7	19.9	24.6	29.9	35.7	42.2	49.2					
		43			17.9	22.2	27	32.3							
	46			16.7	20.7	25.3									
	Total Power Input kW	27	11.05	12.65	14.3	16.05	17.8	19.6	21.4	23.3					
		32	11.2	12.95	14.7	16.55	18.5	20.4	22.4	24.4					
		38		13.15	15.1	17.1	19.2	21.3	23.5	25.7					
43				15.35	17.5	19.7	22								
46			15.45	17.65	19.95										

Operating Conditions: 20 °C Return Gas Temperature  
 Stated Power Values are inclusive of fan motor power

# Stream-R404A

380-420V/50Hz/3 Phase

Condensing Unit		Ambient Temp. (°C)	Evaporating Temperature (°C)												
			-40	-35	-30	-25	-20	-15	-10	-5	0	5	7	10	12.5
Z9-4MU-25X	Capacity kW	27	16.1	20.8	26.2	32.4	39.2	46.8	55.1						
		32	14.8	19.15	24.1	29.8	36.1	43.1	50.7						
		38		17.1	21.6	26.6	32.3	38.6							
		43			19.35	23.9	29	34.7							
		46			18	22.3									
	Total Power Input kW	27	12.25	14.1	16.1	18.15	20.2	22.4	24.6						
		32	12.4	14.4	16.45	18.65	20.9	23.1	25.5						
		38		14.6	16.8	19.1	21.5	23.9							
		43			17	19.4	21.9	24.4							
		46			17.05	19.5									
Z9-6MM-30X	Capacity kW	27	19.3	24.8	30.9	37.9	45.7	54.1	63.3	73.1					
		32		22.8	28.5	34.9	42	49.8	58.2	67.2					
		38		20.4	25.5	31.3	37.6	44.5	52						
		43			23	28.2									
		46			21.4										
	Total Power Input kW	27	14.7	16.95	19.3	21.8	24.4	27	29.8	32.7					
		32		17.3	19.8	22.5	25.3	28.2	31.2	34.3					
		38		17.55	20.3	23.2	26.2	29.4	32.6						
		43			20.6	23.7									
		46			20.7										
Z9-4MA-22X	Capacity kW	27	9.57	13	16.9	21.3	26.2	31.6	37.7	44.4	51.6	59.5	62.8		
		32	8.37	11.65	15.3	19.4	24	29.1	34.8	40.9	47.7	55	58.1		
		38		10.05	13.45	17.25	21.5	26.1	31.3	36.9	43.1	49.7	52.6		
		43			11.9	15.45	19.35	23.6	28.4	33.5	39.2				
		46			11	14.35	18.1	22.2	26.6						
	Total Power Input kW	27	7.66	8.8	9.91	11	12.05	13.1	14.1	15.1	16.05	17	17.4		
		32	7.61	8.86	10.1	11.3	12.5	13.7	14.85	15.95	17.05	18.15	18.6		
		38		8.85	10.25	11.6	13	14.35	15.65	16.95	18.25	19.55	20.1		
		43			10.3	11.8	13.3	14.8	16.3	17.75	19.2				
		46			10.3	11.9	13.5	15.1	16.65						
Z9-4MH-25X	Capacity kW	27	11.05	14.8	19.1	24.1	29.7	36	42.9	50.6	58.9	67.8	71.6		
		32		13.4	17.5	22.1	27.3	33.2	39.6	46.7	54.5	62.8	66.3		
		38		11.75	15.5	19.7	24.5	29.8	35.6	42.1	49.1	56.7	59.9		
		43			13.8	17.7	22	26.9	32.3	38.2					
		46			12.8	16.5	20.6	25.2							
	Total Power Input kW	27	8.85	10.1	11.45	12.75	14.1	15.45	16.8	18.1	19.4	20.7	21.2		
		32		10.2	11.6	13.1	14.55	16.05	17.55	19.05	20.5	22	22.6		
		38		10.2	11.8	13.4	15.05	16.75	18.45	20.2	21.8	23.5	24.2		
		43			11.85	13.6	15.45	17.3	19.15	21					
		46			11.85	13.7	15.6	17.55							
Z9-4MI-30X	Capacity kW	27	12.65	17	21.8	27.2	33.1	39.6	46.7	54.4	62.7	71.5	75.2		
		32		15.4	19.95	25	30.5	36.6	43.1	50.3	57.9	66.1	69.5		
		38		13.45	17.7	22.3	27.4	32.8	38.8	45.2	52.1				
		43			15.8	20.1	24.7	29.7	35.1						
		46			14.6	18.7	23.1								
	Total Power Input kW	27	9.72	11.2	12.7	14.15	15.65	17.1	18.6	20.1	21.6	23.2	23.8		
		32		11.35	13	14.6	16.25	17.9	19.55	21.2	22.9	24.6	25.3		
		38		11.35	13.2	15.05	16.9	18.75	20.6	22.5	24.3				
		43			13.3	15.35	17.4	19.4	21.4						
		46			13.3	15.5	17.65								
Z9-4MJ-33X	Capacity kW	27	14.15	18.7	23.8	29.7	36.1	43.2	51	59.4	68.3	77.8	81.8		
		32		17	21.8	27.2	33.2	39.7	46.9	54.6	62.9	71.6	75.2		
		38		15	19.4	24.3	29.6	35.5	41.9	48.8	56.3				
		43			17.35	21.8	26.7	32							
		46			16.15	20.3	24.9								
	Total Power Input kW	27	10.65	12.25	13.9	15.6	17.35	19.1	20.9	22.7	24.6	26.4	27.2		
		32		12.4	14.15	16	17.9	19.85	21.8	23.8	25.8	27.8	28.6		
		38		12.5	14.4	16.4	18.45	20.6	22.7	24.9	27.2				
		43			14.55	16.65	18.85	21.1							
		46			14.6	16.75	19.05								

Operating Conditions: 20 °C Return Gas Temperature  
 Stated Power Values are inclusive of fan motor power

# Stream-R404A

380-420V/50Hz/3 Phase

Condensing Unit		Ambient Temp. (°C)	Evaporating Temperature (°C)											
			-40	-35	-30	-25	-20	-15	-10	-5	0	5	7	10
W99-4MK-35X	Capacity kW	27	15.8	20.7	26.4	32.7	39.7	47.5	55.9	64.9	74.5	84.6	88.8	
		32		18.9	24.1	30	36.5	43.6	51.3	59.6	68.4	77.8	81.6	
		38		16.7	21.4	26.7	32.5	38.8	45.7	53.1				
		43			19.1	23.9	29.1	34.8						
		46			17.75	22.2								
	Total Power Input kW	27	12.1	13.85	15.75	17.75	19.9	22	24.3	26.5	28.8	31.1	32	
		32		14.1	16.15	18.25	20.5	22.8	25.2	27.6	30	32.4	33.3	
		38		14.35	16.5	18.75	21.1	23.6	26.1	28.7				
		43			16.7	19.1	21.6	24.1						
		46			16.8	19.25								
W99-6MI-40X	Capacity kW	27	18.45	24.2	30.8	38	46	54.7	64.1	74	84.3	95.1	99.5	
		32		22.1	28.2	34.9	42.3	50.3	58.8	67.9	77.4			
		38		19.55	25.1	31.2	37.8	44.9	52.5					
		43			22.5	28	33.9							
		46			20.9									
	Total Power Input kW	27	14.15	16.45	18.85	21.3	23.9	26.6	29.4	32.2	35.2	38.3	39.5	
		32		16.75	19.3	22	24.8	27.6	30.6	33.6	36.8			
		38		17	19.8	22.7	25.7	28.8	32					
		43			20.2	23.2	26.4							
		46			20.3									

# 2-Stage R404A

380-420V/50Hz/3 Phase

Condensing Unit		Ambient Temp. (°C)	Evaporating Temperature (°C)								
			-60	-55	-50	-45	-40	-35	-30	-25	-20
Z9-6TA-150X	Capacity kW	27			8.81	11.3	14.2	17.4	21	25	29.4
		32	4.73	6.54	8.66	11.1	13.85	17	20.5	24.4	28.6
		38	4.66	6.41	8.44	10.75	13.4	16.4	19.75	23.4	27.4
		43	4.59	6.27	8.22	10.45	13	15.85	19.05	22.5	
		46	4.55	6.19	8.08	10.25	12.7	15.5	18.55	22	
	Total Power Input kW	27			9.43	10.35	11.3	12.25	13.25	14.3	15.4
		32	7.92	8.85	9.81	10.8	11.8	12.9	14	15.15	16.35
		38	8.32	9.31	10.35	11.4	12.55	13.7	14.9	16.2	17.55
		43	8.7	9.74	10.85	11.95	13.15	14.4	15.7	17.1	
		46	8.94	10	11.15	12.3	13.55	14.85	16.2	17.65	
Z9-6TH-200X	Capacity kW	27		8.34	10.75	13.6	16.85	20.5	24.5	28.9	33.6
		32	6.16	8.17	10.55	13.3	16.45	20	23.8	28	32.5
		38	6	7.95	10.25	12.9	15.95	19.3	23	26.9	31.1
		43	5.84	7.76	10	12.55	15.45	18.7	22.2	25.9	
		46	5.74	7.62	9.82	12.35	15.15	18.3	21.7		
	Total Power Input kW	27		10.25	11.5	12.75	14.05	15.4	16.85	18.4	20.1
		32	9.33	10.65	12	13.35	14.75	16.2	17.8	19.45	21.3
		38	9.8	11.2	12.65	14.1	15.6	17.2	18.95	20.8	22.8
		43	10.25	11.7	13.2	14.75	16.35	18.05	19.9	21.9	
		46	10.55	12.05	13.55	15.15	16.85	18.6	20.5		
W99-6TJ-250X	Capacity kW	27	7.79	9.97	12.8	16.2	20.1	24.3	28.7	33.2	37.7
		32	7.61	9.68	12.4	15.65	19.4	23.4	27.7	32	36.2
		38	7.38	9.35	11.9	15	18.55	22.4	26.4	30.4	34.3
		43	7.2	9.06	11.5	14.45	17.85	21.5	25.3	29.1	
		46	7.09	8.89	11.25	14.15	17.4	20.9			
	Total Power Input kW	27	10.45	11.55	12.9	14.4	16.1	17.85	19.65	21.4	23
		32	10.85	12.05	13.45	15.05	16.85	18.75	20.7	22.6	24.4
		38	11.4	12.65	14.15	15.9	17.8	19.85	21.9	24	26.1
		43	11.85	13.15	14.75	16.6	18.6	20.8	23	25.3	
		46	12.15	13.5	15.15	17.05	19.15	21.4			

Operating Conditions: 20 °C Return Gas Temperature  
 Stated Power Values are inclusive of fan motor power  
 The 2-Stage CDU comes with liquid subcooler mounted

# Mechanical & Electrical Data

## Standard

## Mechanical Data

Condensing Unit	Receiver Capacity 6) l	Depth/ Width T/B mm	Height H mm	Dimensions (holes) b x t mm (Ø*)	Suction Diameter		Liquid Line FL Ø* (inch)	Air Flow m <sup>3</sup> /sec.	Gross eight kg	Housing Type (option)
					SL Ø* (inch)					
B8-KJ-10X	3.1	570/560	396	530x330 (11)	5/8		1/2	0.36	68	D/B
D8-KSJ-15X	3.7	570/560	446	530x330 (11)	7/8		1/2	0.51	72	D/B
D8-LF-20X	3.7	715/560	446	530x475 (14)	7/8		1/2	0.51	114	D-L
P8-LF-30X	7.5	640/950	633	915 x 380 (14)	1 1/8		1/2	1.06	154	P-CR
P8-LJ-30X	7.5	640/950	633	915 x 380 (14)	7/8		1/2	1.06	154	P-CR
P8-LL-40X	7.5	640/950	633	915 x 380 (14)	1 1/8		1/2	1.06	155	P-CR
M9-2SA-55X	7.5	730/735	708	700 x 390 (14)	1 1/8		1/2	1.24	167	M
R7-2SA-45X / 45X Air <sup>4)</sup>	14.0	820/1130	633	1095 x 475 (14)	1 1/8		3/4	1.97	167	R/S
S9-2SC-65X	14.0	820/1130	708	1095 x 475 (14)	1 1/8		3/4	1.94	180	R/S
S9-2SC-55X	14.0	820/1130	708	1095 x 475 (14)	1 1/8		3/4	1.94	167	R/S
M9-2SK-65X	7.5	730/735	708	700 x 390 (14)	1 1/8		1/2	1.24	167	M
V9-2SK-65X	18.0	820/1330	835	1295 x 475 (14)	1 1/8		7/8	2.18	167	V
V9-3SA-75X	18.0	820/1330	835	1295 x 475 (14)	1 3/8		7/8	2.18	295	V
V6-3SC-75X	18.0	820/1330	835	1295 x 475 (14)	1 3/8		7/8	2.97	360	V
V6-3SC-100X	18.0	820/1330	835	1295 x 475 (14)	1 3/8		7/8	2.97	360	V
W9-3SS-100X	18.0	820/1640	869	1605 x 475 (14)	1 3/8		7/8	3.33	417	W
W9-3SS-150X	18.0	820/1640	869	1605 x 475 (14)	1 5/8		7/8	3.33	417	W
Z9-4SA-200X	18.0	1108/1600	1252	1435 x 535 (18)	1 5/8		7/8	5.41	567	-

6) Pump down in "kg" as well. for less than 95% of receiver volume at 50°C ambient temperature (R22, R134a, R404A)

Air: Compressor motor air-cooled: Suction valve must be mounted on body instead of cover

## Standard

## Electrical Data

Condensing Unit	Maximum Operating Current (compressor)		Locked Rotor Current (compressor)		Fan Model	Condenser Fan Current 230V/1-50Hz
	EWL++	AWM	EWL++	AWM		
B8-KJ-10X	3.2		15.5		71	0.46
D8-KSJ-15X	3.4		20.4		121	0.66
H8-LE-20X	5.7		37.6		271	1.38
P8-LF-30X	7.2		53.0		2 x 121	0.66
P8-LJ-30X	8.1		53.0		2 x 121	0.66
K9-LL-30X	7.3		53.0		2 x 121	0.66
P8-LL-40X	9.5		68.5		2 x 121	0.66
M9-2SA-55X	13.1		67.3		2 x 271	2.13
R7-2SA-45X / 45X Air <sup>4)</sup>	10.4		68.5		271	1.38
S9-2SC-65X	16.2		85.0		2 x 271	1.38
S9-2SC-55X	12.8		74.1		2 x 271	1.38
M9-2SK-65X	16.4		85.3		611	2.13
V9-2SK-65X	16.4		85.3		2 x 271	1.38
V9-3SA-75X		17.9		82.0	2 x 271	1.38
V6-3SC-75X		19.8		70.0	2 x 611	2.13
V6-3SC-100X		21.6		106.0	2 x 611	2.13
W9-3SS-100X		26.0		109.0	2 x 611	2.13
W9-3SS-150X		30.2		125.0	2 x 611	2.13
Z9-4SA-200X		31.6		175.0	4 x 611	2.13

4) Air: Compressor motor air-cooled: Suction valve must be mounted on body instead of cover



## Mechanical Data

### Stream

Condensing Unit	Receiver Capacity	Depth/Width	Height	Dimensions	Suction Diameter	Liquid Line	Air Flow	Gross Weight
	6)	T/B	H	(holes)	SL	FL		
	l	mm	mm	b x t mm (Ø")	Ø" (inch)	Ø" (inch)	m <sup>3</sup> /sec.	kg
V6-4MF-13X	18.9	955/1289	835	1146 x 520 (14)	1 5/8	7/8	2.97	375
V6-4ML-15X	18.9	955/1289	835	1146 x 520 (14)	1 5/8	7/8	2.97	383
W9-4MM-20X	18.9	1107/1600	875	1435 x 535 (18)	2 1/8	7/8	3.33	472
W9-4MT-22X	18.9	1107/1600	875	1435 x 535 (18)	2 1/8	7/8	3.33	472
Z9-4MA-22X	18.9	1107/1600	1263	1435 x 535 (18)	1 5/8	7/8	5.41	548
Z9-4MH-25X	18.9	1107/1600	1263	1435 x 535 (18)	2 1/8	7/8	5.41	554
Z9-4MI-30X	18.9	1107/1600	1263	1435 x 535 (18)	2 1/8	7/8	5.41	581
Z9-4MJ-33X	18.9	1107/1600	1263	1435 x 535 (18)	2 1/8	7/8	5.41	581
Z9-4ML-15X	18.9	1107/1600	1252	1435x515 (18)	1 5/8	7/8	5.41	551
Z9-4MM-20X	18.9	1107/1600	1252	1435x515 (18)	2 1/8	7/8	5.41	553
Z9-4MT-22X	18.9	1107/1600	1252	1435x515 (18)	2 1/8	7/8	5.41	554
Z9-4MU-25X	18.9	1107/1600	1263	1435 x 535 (18)	2 1/8	7/8	5.41	557
Z9-6MM-30X	18.9	1130/1600	1263	1435x515 (18)	2 1/8	7/8	5.41	575
99-4MK-35X	47.9	1189/1600	1803	1440 x 630 (18)	2 1/8	7/8	7.25	711
W99-6MI-40X	47.9	1213/1600	1803	1440 x 630 (18)	2 1/8	7/8	7.25	728

6) Pump down in "kg" as well, for less than 95% of receiver volume at 50°C ambient temperature

## Electrical Data

### Stream

Condensing Unit	Maximum Operating Current (compressor)	Locked Rotor Current (compressor)	Fan Model	Condenser Fan Current Each
	AWM	AWM		230V/1-50Hz
	A	A		
V6-4MF-13X	30.8	105	2 X 611	2.48
V6-4ML-15X	35.4	156	2 X 611	2.48
W9-4MM-20X	39.0	175	2 X 611	2.48
W9-4MT-22X	44.5	175	2 X 611	2.48
Z9-4MA-22X	36.3	175	4 X 611	2.48
Z9-4MH-25X	41.6	199	4 X 611	2.48
Z9-4MI-30X	46.6	221	4 X 611	2.48
Z9-4MJ-33X	52.9	221	4 X 611	2.48
Z9-4ML-15X	35.4	156	4 X 611	2.48
Z9-4MM-20X	39.0	175	4 X 611	2.48
Z9-4MT-22X	44.5	175	4 X 611	2.48
Z9-4MU-25X	51.9	199	4 X 611	2.48
Z9-6MM-30X	59.7	255	4 X 611	2.48
W99-4MK-35X	61.1	255	4 X 611	2.48
W99-6MI-40X	71.4	304	4 X 611	2.48

## Mechanical Data

### 2-Stage

Condensing Unit	Receiver Capacity	Depth/Width	Height	Dimensions	Suction Diameter	Liquid Line	Air Flow	Gross Weight
	6)	T/B	H	(holes)	SL	FL		
	l	mm	mm	b x t mm (Ø")	Ø" (inch)	Ø" (inch)	m <sup>3</sup> /sec.	kg
Z9-6TA-150X-SUB	18.0	1138/1600	1252	1436 x 535 (18)	1 5/8	7/8	5.41	614
Z9-6TH-200X-SUB	23.0	1138/1600	1252	1438 x 535 (18)	1 5/8	7/8	5.41	617
W99-6TJ-250X-SUB	23.0	1137/1600	1810	1440 x 535 (18)	1 5/8	7/8	7.25	756

6) Pump down in "kg" as well. for less than 95% of receiver volume at 50°C ambient temperature (R22. R134a. R404A)

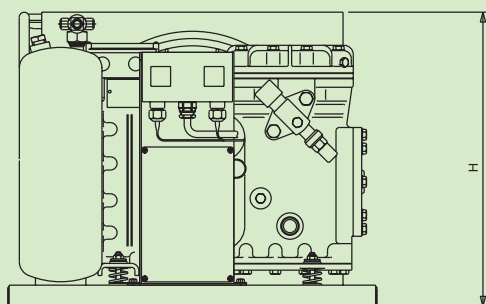
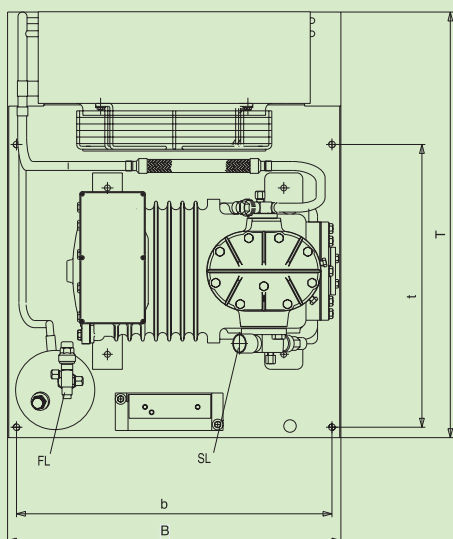
## Electrical Data

### 2-Stage

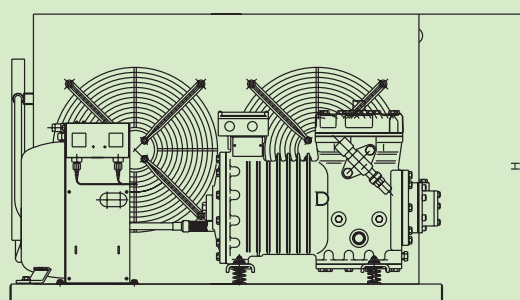
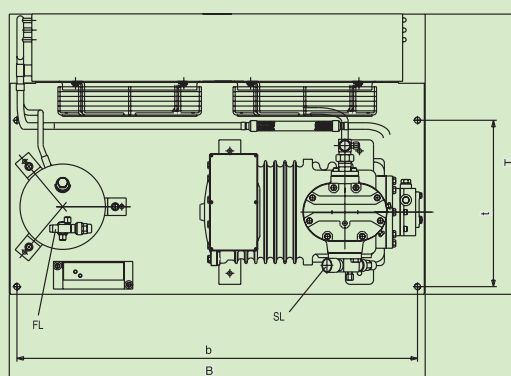
Condensing Unit	Maximum Operating Current (compressor)	Locked Rotor Current (compressor)	Fan Model	Condenser Fan Current
	AWM A	AWM A		
Z9-6TA-150X-SUB	30.1	174	4 x 611	2.13
Z9-6TH-200X-SUB	37.3	174	4 x 611	2.13
W99-6TJ-250X-SUB	40.2	203	4 x 611	2.13

# Dimensional Drawings

Condenser B, D, H, M with L, K, 2S Compressor



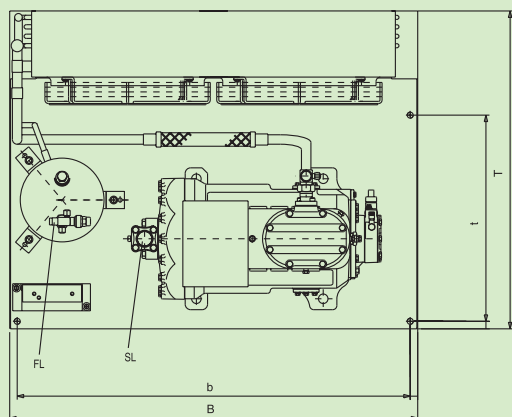
Condenser P with L Compressor



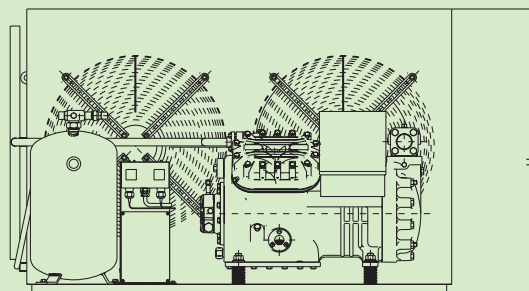
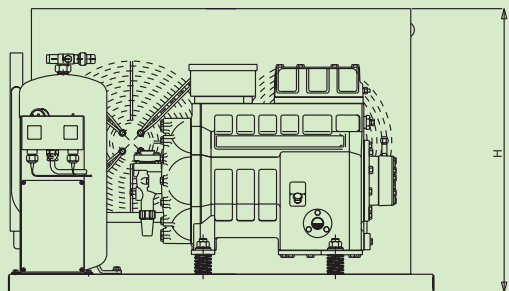
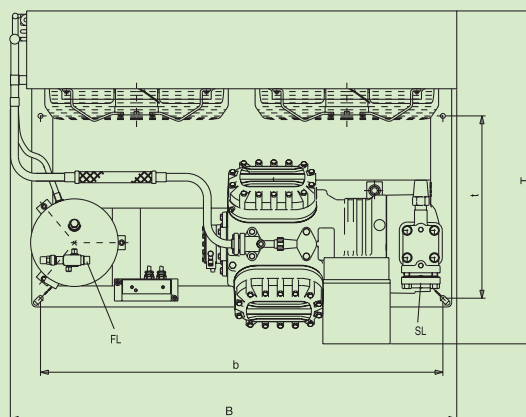
- H : Height
- B : Width
- T : Depth
- b,t : Dimensions (holes)
- SL : Suction line
- FL : Liquid line

# Dimensional Drawings

Condenser P,S, R, V, W with 2S, 3S compressor



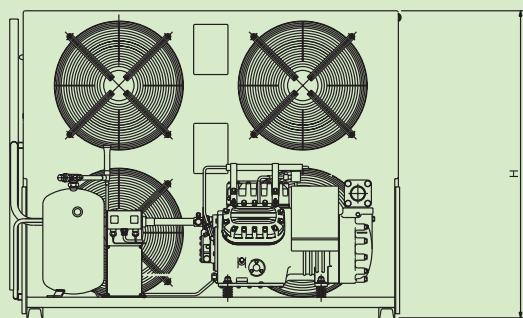
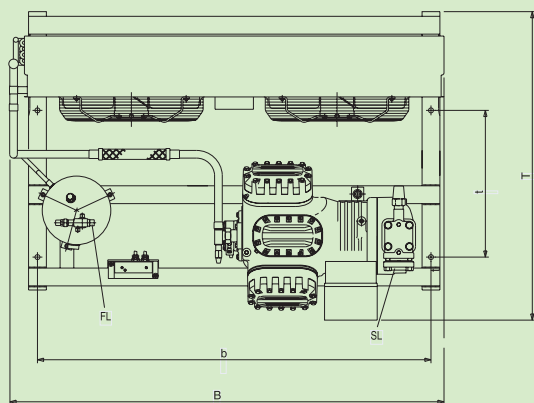
Condenser V, W with 4S, 4M, 6M compressor



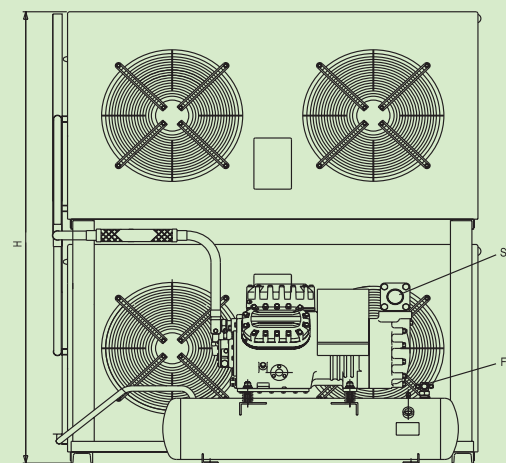
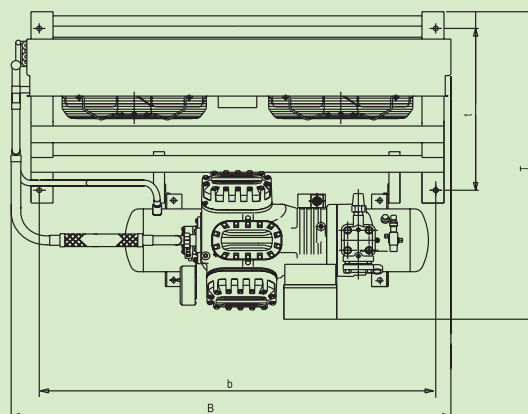
- H : Height
- B : Width
- T : Depth
- b,t : Dimensions (holes)
- SL : Suction line
- FL : Liquid line

# Dimensional Drawings

Condenser Z with 4S, 4M, 6M compressor



Condenser W99 with 6M compressor



- H : Height
- B : Width
- T : Depth
- b,t : Dimensions (holes)
- SL : Suction line
- FL : Liquid line

# India Semi-Hermetic Servicing Center- Reduced Downtime & Peace Of Mind For Emerson Customers



## All About The Centre Of Excellence

With global expertise in the field of Semi-Hermetic & Scroll Technology, spanning across 80 years, Emerson has set up best-in-class processes and testing facilities to ensure quality and reliability in compressor servicing.

Emerson's Semi-Hermetic repair center, built on global standards, assists customers with in-depth equipment testing, complete overhaul of electrical and mechanical components and functional testing for the entire range of Semi-Hermetic compressors sold in India.

## Assured Of Highest Quality

Emerson Service Centers have extensive product knowledge and provide prompt, professional, guaranteed repair service. Proficient Technical Staff, a global network of R&D and best-in-Industry experience ensure that Emerson always delivers on its commitment of efficient & quality service.



## Genuine Spare Parts

Genuine Copeland Parts are engineered for long-term service and maximum performance. To enable fast and efficient service, Emerson maintains an extensive inventory of Original & Genuine Copeland spare parts at the Distribution center, Chakan. Genuine Spare parts details can be accessed at

<http://parts.emersonclimate.eu/IPP1/>



## Semi-Hermetic Compressor Servicing: Rigorous Testing To Ensure Reliability

The compressor goes through stringent forms of checks & testing before it is certified fit for use. Emerson is the only manufacturer with a full-fledged test facility for Semi-Hermetic compressors in India. The Service Center is equipped with state-of-the-art testing equipment to ensure best results. These results are then evaluated against Emerson standards to ensure that the compressor passes all the standard qualification criteria for re-use.

1. **Leakage Check:** After reassembly, the compressor is passed through Burst and Dip tank leak test to ensure that there are no leakages.
2. **Vacuum Dehydration:** At this stage the compressor is vacuum dehydrated in a special setup to ensure that there is no air/moisture in it.
3. **Oil Filling:** An advanced "Auto Charge Board", is used to ensure that the right amount of oil is filled according to the model.

**Final Test:** It is performed with a sophisticated test board with all the data logging features to check for the electrical / oil pump performance, pressure buildup, leakages etc.

## Design Services- Customized Refrigeration Solutions For Your Project



### Optimally Designed Comprehensive Solutions.

For the refrigeration industry, the equipment selection, project design and construction as well as after-sales services play a crucial role in the implementation of a project. From heat load calculation to equipment selection, Emerson works with you every step of the way providing customized refrigeration solutions that help to ensure your refrigeration project is optimally designed.

### Our Design Team -Qualified & Committed To Deliver.

Emerson design engineers bring to the table a world of experience culled from Emerson facilities the world over. They are highly specialized in the area of refrigerated facility design (with each having over 10 years of field experience). They are trained at the highest level in the area of refrigeration systems & design and leverage an experience borne from a global network of R&D. Emerson engineers are truly equipped and committed to provide you efficient & quality solutions for your cooling needs.

## Educational Services- Developing Industry Awareness and Instilling Best Practices

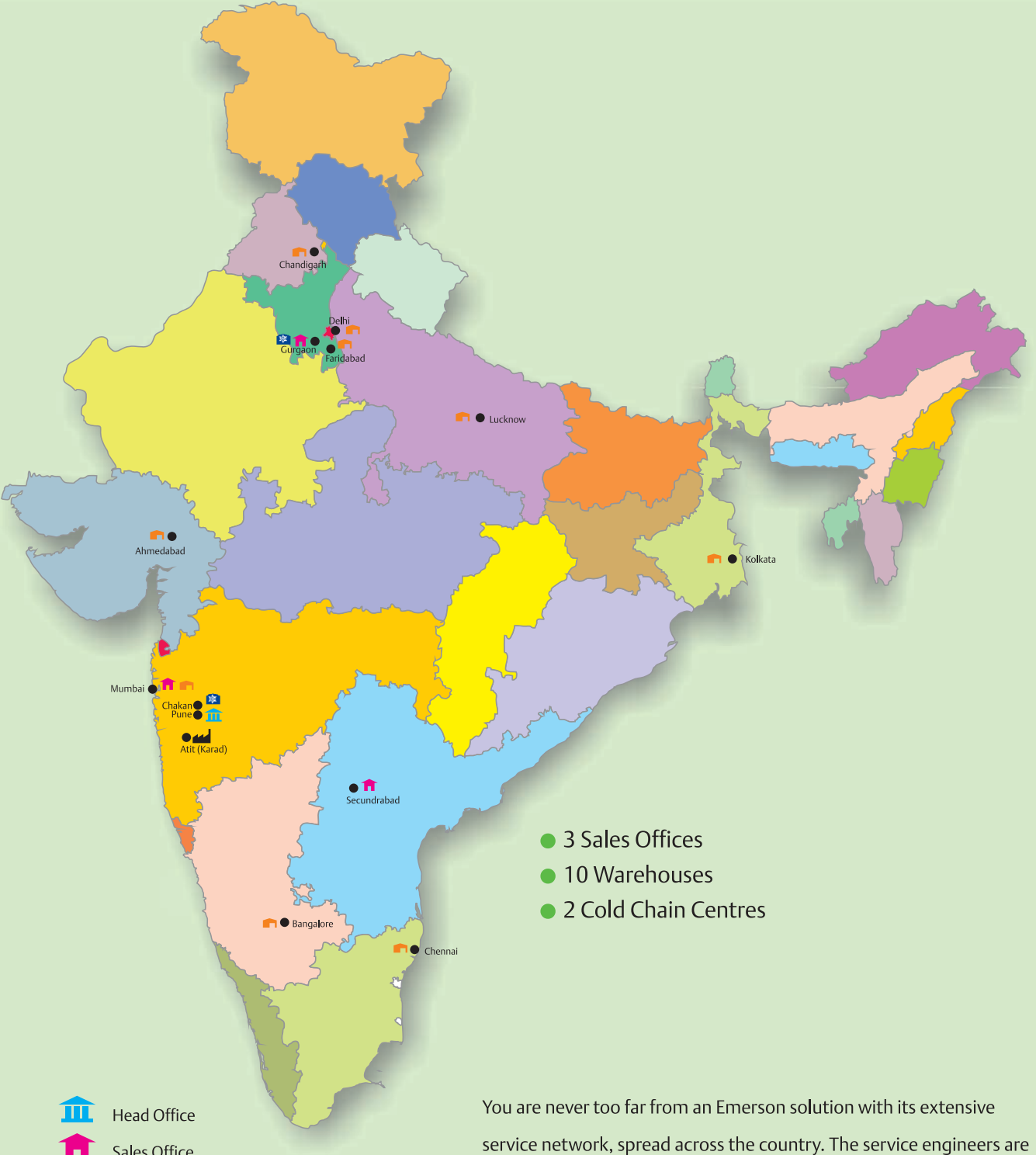
Emerson's Educational Services group delivers comprehensive training programs that not only cover essential service skills, they also keep you up-to-date on emerging technology. Whether it's learning new techniques in refrigeration system maintenance or designing a cold room or implementing a comprehensive energy management program for supermarkets, Emerson gives you the knowledge to succeed.

### Emerson Instructors- Recognized Industry Leaders

Every Emerson course is led by an Emerson certified instructor. They are a fine blend of exceptional knowledge and an in-depth understanding of refrigeration principles, technology and the industry as a whole. The instructors have extensive hands-on experience; an innate understanding of the contractor's business needs and concerns, and a proven ability to hold the attention of the participants to provide the best learning experience possible.



# Cold Chain Solutions That Span Across The Nation



You are never too far from an Emerson solution with its extensive service network, spread across the country. The service engineers are comprehensively trained, committed and well-equipped to deliver quality solutions to meet your cooling needs.







## Disclaimer

Technical data given was correct at the time of printing. Updates may occur, and should you need confirmation of a specific value, please contact Emerson stating clearly the information required. Emerson cannot be held responsible for errors in capacities, dimensions, etc., stated herein. Products, specifications and data in this literature are subject to change without notice. The information given herein is based on data and tests which Emerson believes to be reliable and which are in accordance with today's technical knowledge. It is intended for use by persons having the appropriate technical knowledge and skill, at their own discretion and risk. Our products are designed and adapted for fixed locations. For mobile applications, failures may occur.

The suitability for this has to be assured from the plant manufacturer, which may include making appropriate tests.

## Note

The components listed in this catalogue are not released for use with caustic, poisonous or flammable substances. Emerson cannot be held responsible for any damage caused by using these substances.

## SALES OFFICES:

### Gurgaon

Emerson Climate Technologies (India) Pvt. Ltd.  
18<sup>th</sup> Floor, Towers B & C,  
DLF Cyber Terraces, DLF Building No. 5,  
DLF Cyber City, Phase -III,  
Gurgaon-122002  
Tel: (91-124) 4894 500

### Mumbai

Emerson Climate Technologies (India) Pvt. Ltd.  
Delphi B-Wing, 601-602,  
6<sup>th</sup> Floor, Central Avenue,  
Hiranandani Business Park, Powai,  
Mumbai- 400076  
Tel: (91-22) 6662 0566

### Secunderabad

Emerson Climate Technologies (India) Pvt. Ltd.  
C/o Maruthi Corporate Point,  
Swapnalok Complex 2<sup>nd</sup> Floor, Block -B ,  
Sarojinidevi Road, Secunderabad-500003  
Tel: +914033154018

## WAREHOUSES:

### Ahmedabad

Emerson Climate Technologies (India) Pvt. Ltd.  
C/o Agility Logistics Pvt. Ltd.  
Plot No. 796, Corporate Warehouse Hub,  
Opp. Hotel ALFA, National Highway No. 8, Aslali,  
Ahmedabad-382 427  
Tel: 079-30924705

### Bengaluru

Emerson Climate Technologies (India) Pvt. Ltd.  
C/o Agility Logistics Pvt. Ltd.  
Shed No. 8, Survey No. 31,  
18<sup>th</sup> KM, Old Madras Road,  
Virgonagar, Bengaluru-560 049  
Tel: +919535544086

### Chandigarh

Emerson Climate Technologies (India) Pvt. Ltd.  
C/o Agility Logistics Pvt. Ltd.  
Plot No. 72, Industrial Area, Phase-I,  
Chandigarh-160002  
Tel: +919876716788

### Chennai

Emerson Climate Technology (India) Pvt. Ltd.  
C/o Agility Logistics Pvt. Ltd.,  
Kanishk Warehouse, Sr. No. 204,  
Vijayanallur Village Road, Nallur Village,  
Cholvaram Po, Ponneri Tk, Chennai-600067  
Tel: (91-44) 325 777936

### Gurgaon

Emerson Climate Technologies (India) Pvt. Ltd.  
C/o Agility Logistics Pvt. Ltd.  
Khasra No.9/7/2,7/3 Min, 8/1 Min, 8/2, 8/3,  
Off. Revenue Estate Of Village Gadoli Khurd,  
Sector-37 B, Pataudi Road,  
Gadoli Khurd (Gurgaon)-122 001  
Tel: +919013774070

### Howrah

Emerson Climate Technologies (India) Pvt. Ltd.  
C/o Agility Logistics Pvt. Ltd.  
Sankrail Industrial Park,  
Mauza-Kandua, Bhagabatipur,  
Po-Kandua Howrah-711 302  
Tel: +919093970556

### Lucknow

Emerson Climate Technologies (India) Pvt. Ltd.  
C/o Agility Logistics Pvt. Ltd.  
C-522, Maya Bhagwan Complex,  
Near Shaheed Path Road, Transport Nagar,  
Lucknow-226 008  
Tel: +919044225771

### Mumbai

Emerson Climate Technologies (India) Pvt. Ltd.  
Unit No. 59, Ground Floor, 'AA' Wing,  
Building No.1, at Kailas Industrial complex,  
CTS No. 1/7 & 1/11, Veer Savarkar Marg,  
Near Hiranandani Park,  
Vikhroli (West), Mumbai-400 079  
Tel: (91-22) 4270 8001

### New Delhi

Emerson Climate Technologies (India) Pvt. Ltd.  
56, Rama Road Industrial Area,  
Nr. Mahindra Showroom,  
New Delhi-110 015  
Tel: (91-11) 45751000

### Secunderabad

Emerson Climate Technologies (India) Pvt. Ltd.  
C/o: Agility Logistics Pvt. Ltd, # 8-122,  
Devaryamjal Road, Kompally, Shameerpet Mandal,  
Ranga Reddy Dist.,  
Secunderabad-500014  
Tel: (91) 9247000174/9000649871

## COLD CHAIN CENTERS

### Chakan

Emerson Climate Technologies (India) Pvt. Ltd.  
Plot No. G-8/3, Block M.I.D.C.  
Chakan Industrial Area, Phase - III,  
Taluka : Khed. Dist : Pune - 410 501  
Tel: (91- 2135) 625300

### Gurgaon

Emerson Climate Technologies (India) Pvt. Ltd.  
Plot No. 127,  
Udyog Vihar, Phase IV,  
Gurgaon - 122 015, Haryana  
Tel: (91 124) 2866600

## PLANT

Atit Pali Road, Atit - 415 519, Maharashtra.  
Tel: (91-2162) 224200, Fax: (91-2162) 262069

## REGISTERED HEAD OFFICE

Emerson Climate Technologies (India) Pvt. Ltd.  
Plot No. 23, Rajiv Gandhi Infotech Park, Phase - II, Hinjewadi, Pune-411 057  
Tel: (91-20) 4200 2000, Fax: (91-20) 4200 2099

[www.EmersonClimate.com/India](http://www.EmersonClimate.com/India)

☎ 1800-209-1700 ✉ [ClimateIndia@Emerson.com](mailto:ClimateIndia@Emerson.com)

