

# Adjustable safety pressure controls CS1 Series

For subcritical CO<sub>2</sub> applications

The first adjustable safety pressure control with a maximum working pressure of 70 bar.



## Features and benefits

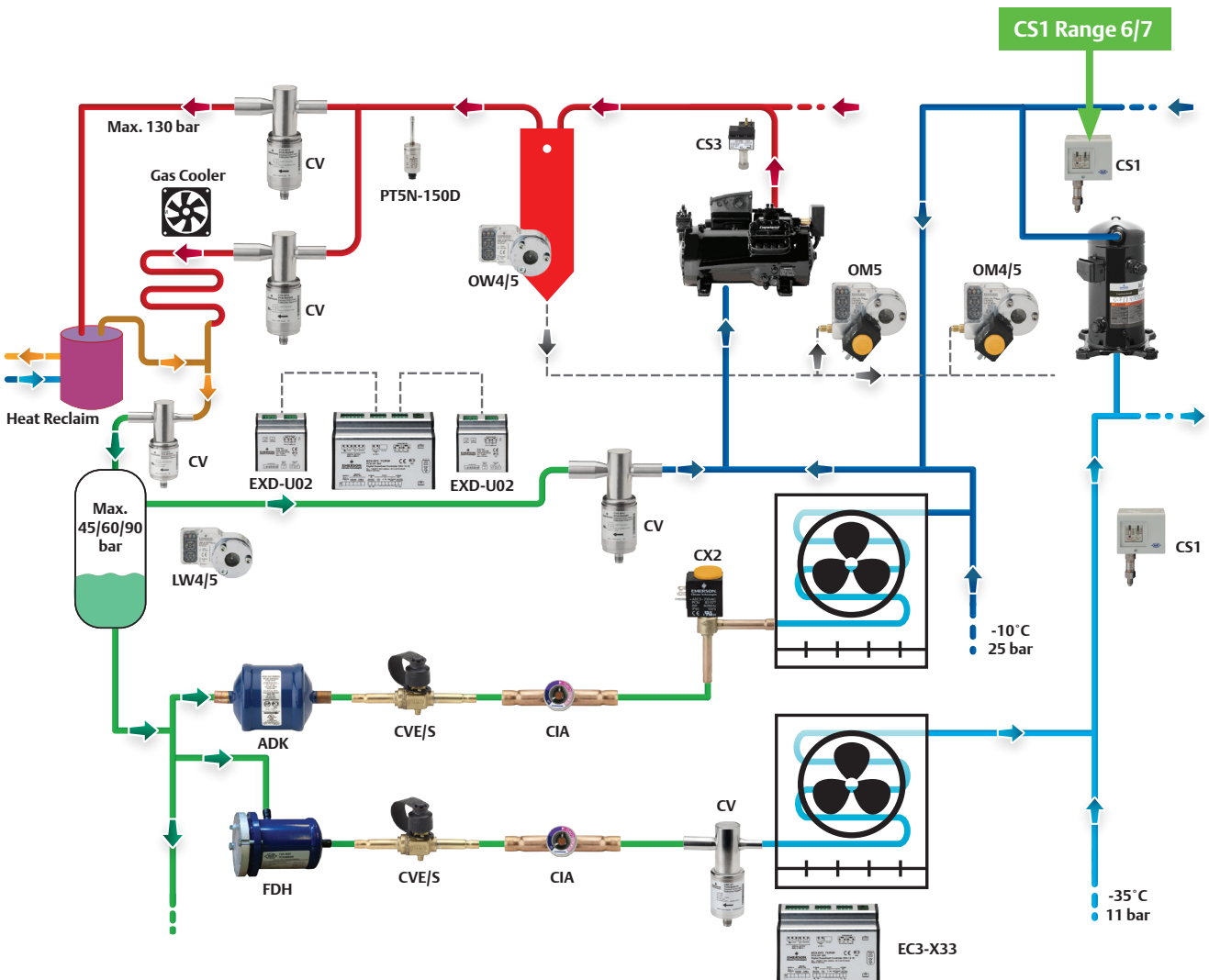
- Two ranges, 6 and 7 with narrow adjustable differential
- Precise switching and repeatability; Snap Action Contacts => Chatter Free (Bounce free) and Accurate Operation
- Contacts are designed as SPDT (Single pole double throw) for control function and alarm/status reporting
- 2 million cycles reliability (TÜV EN 12263 approved)
- Maximum Working Pressure of 70 bar
- Factory Test Pressure of 77 bar
- Pressure Range 6
  - Pressure limiter, automatic reset, type approval EN 12263 (PSH)
  - Versions with adjustable range available between 10 bar to 45 bar
  - Adjustable differential pressure setting between 4 bar to 10 bar
- Pressure Range 7
  - Pressure limiter, automatic reset, type approval EN 12263 (PSH)
  - Versions with adjustable range available between 15 bar to 65 bar
  - Adjustable differential pressure setting between 5 bar to 10 bar

## Standard type products:

Type	PCN	Adjustable range bar	Factory setting bar	Leakage test pressure bar	Pressure connection
CS1-W6A	812 004 812 004M*	10... 45	28 / 20	77	7/16"-20 UNF male
CS1-W7A	812 005 8120 05M*	15... 65	40 / 32	77	

\*Multipack version (20 pieces).

# CS1 Application in CO<sub>2</sub> Systems



For more details, see [climate.emerson.com/en-gb](http://climate.emerson.com/en-gb)

Emerson Commercial & Residential Solutions

Emerson Climate Technologies GmbH - European Headquarters - Pascalstrasse 65 - 52076 Aachen, Germany

Tel. +49 (0) 2408 929 0 - Fax: +49 (0) 2408 929 570 - Internet: [climate.emerson.com/en-gb](http://climate.emerson.com/en-gb)

The Emerson logo is a trademark and service mark of Emerson Electric Co. Emerson Climate Technologies Inc. is a subsidiary of Emerson Electric Co. Alco Controls is a registered trademark of Emerson Climate Technologies Inc.. All other trademarks are property of their respective owners. Emerson Climate Technologies GmbH shall not be liable for errors in the stated capacities, dimensions, etc., as well as typographic errors. Products, specifications, designs and technical data contained in this document are subject to modification by us without prior notice. Illustrations are not binding.

© 2020 Emerson Climate Technologies, Inc.

EMERSON. CONSIDER IT SOLVED.™