



A-AS 597

A-AS SERIES SUCTION ACCUMULATORS

The A-AS protects the compressor from liquid slugging and is used with CFC, HCFC and HFC refrigerants. It is available for systems through 28 tons nominal capacity.

FEATURES

- Designed to operate in a range of +40°F to -40°F evaporator temperature
- Fusible plug on larger diameter units
- Solid copper connections
- Corrosion resistant epoxy powder paint finish
- Inlet deflector directs refrigerant flow to prevent internal splashing and aid in the collection of refrigerant oil

SPECIFICATIONS

Maximum working pressure 450 psig (31 bar)
 Fusible plug temperature..... 430°F (221°C)
 UL/CUL file numberSA 10225
 Canadian CRN 0H20236-5C

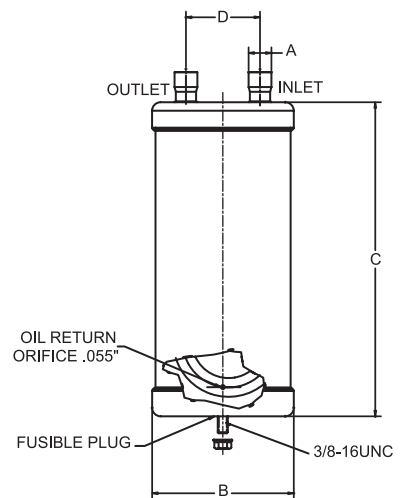
MODEL NUMBER NOMENCLATURE - Example: A-AS 3125

SERIES	ACCUMULATOR SUCTION	DIAMETER	HEIGHT	FITTING SIZE	SEQUENTIAL IDENTIFIER	CUSTOMER SPECIAL	PACK TYPE
A	AS	3	12	5			
Suction Accumulators		In Cubic In.	In Cubic In.	Fitting Size In 1/8" Increments	Blank Thru -99	G = Customer Special (Omit for Standard)	B1 = Bulk Pack P1 = Pallet Pack (Omit for Individual Pack)

A-AS SERIES SUCTION ACCUMULATORS

(B) DIAMETER (IN)	(C) HEIGHT (IN)	(A) FITTING SIZE	(D) FITTING SEPARATION (IN)	FLOW CAPACITY TONS (+40°F)		HOLDING CAPACITY (LBS) 50% OF SYSTEM CHARGE 40°F LIQUID					MODEL NUMBER	ITEM NUMBER
				R-404A	R-410A	R-22 / R-134a	R-404A / R-507	R-410A	R-448A / R-449A	R-450A / R-513A		
3	8	1/2" ODF	1.63	1.7	2.4	1.5	1.5	2.1	1.4	1.4	A-AS 384	060819
3	10	5/8" ODF	1.63	2.6	3.7	2.0	2.0	2.6	1.8	1.9	A-AS 3105	060963
3	12	5/8" ODF	1.63	2.6	3.7	3.0	2.5	3.1	2.8	2.9	A-AS 3125	060812
3	12	3/4" ODF	1.63	3.5	4.9	3.0	2.5	3.1	2.8	2.9	A-AS 3126	060813
3	14	5/8" ODF	1.63	2.6	3.7	3.5	3.0	3.6	3.2	3.3	A-AS 3145	060964
3	14	3/4" ODF	1.63	3.5	4.9	3.5	2.8	3.6	3.2	3.3	A-AS 3146	060965
4	6	1/2" ODF	2.50	1.7	2.4	2.5	2.0	2.8	2.3	2.4	A-AS 464	060967
4	6	5/8" ODF	2.50	2.6	3.7	2.5	2.0	2.8	2.3	2.4	A-AS 465	060821
4	10	5/8" ODF	2.50	2.6	3.7	4.0	3.5	4.6	3.7	3.8	A-AS 4105	060966
4	10	3/4" ODF	2.50	3.5	4.9	4.0	3.5	4.6	3.7	3.8	A-AS 4106	060820
5	9	3/4" ODF	2.75	3.5	4.9	6.0	5.5	6.5	5.5	5.7	A-AS 596	060824
5	9	7/8" ODF	2.75	6.4	8.9	6.0	5.5	6.5	5.5	5.7	A-AS 597	060818
5	12	3/4" ODF	2.75	3.5	4.9	8.0	7.5	8.6	7.4	7.7	A-AS 5126	060822
5	12	7/8" ODF	2.75	6.4	8.9	8.0	7.5	8.6	7.4	7.7	A-AS 5127	060823
5	13	7/8" ODF	2.75	6.4	8.9	8.5	8.0	9.3	7.9	8.1	A-AS 5137	060814
5	13	1-1/8" ODF	2.75	10.3	14.5	8.5	8.0	9.3	7.9	8.1	A-AS 5139	060815
5	17	1-1/8" ODF	2.75	10.3	14.5	12.0	10.0	12.2	11.1	11.5	A-AS 5179	060817
5	17	1-3/8" ODF	2.75	16.4	23	12.0	10.0	12.2	11.1	11.5	A-AS 51711	060816
6	11	7/8" ODF	2.94	6.4	8.9	10.0	9.0	11.4	9.2	9.6	A-AS 6117	060825
6	13	7/8" ODF	2.94	6.4	8.9	12.8	11.5	13.4	11.8	12.3	A-AS 6137	060826
6	13	1-1/8" ODF	2.94	10.3	14.5	12.8	11.5	13.4	11.8	12.3	A-AS 6139	060968
6	14	1-3/8" ODF	2.94	16.4	23	14.1	12.6	14.5	13.0	13.5	A-AS 61411	060827
6	17	1-5/8" ODF	2.94	24.8	34.9	17.3	15.5	17.6	16.0	16.6	A-AS 61713	060969
6	20	1-5/8" ODF	2.94	24.8	34.9	20.6	18.4	20.7	19.0	19.7	A-AS 62013	060828
6	25	1-5/8" ODF	2.94	24.8	34.9	25.8	23.1	25.9	23.8	24.7	A-AS 62513	060970

DIMENSIONAL DATA



Capacity Tables

