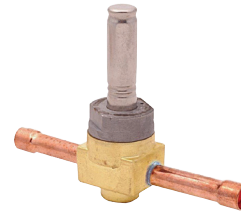


The 500RB is a pilot-operated, 2-way, normally open valve. 500RB valves are used for liquid, suction or discharge gas refrigerant service.



Features

- Extended ends for easy installation
- Can be positioned in remote locations
- Long-life molded coils
- Low pressure differential required for full opening
- PTFE O-ring for superior external sealing

Options

- Available in 6 port sizes
- Connection types: SAE, ODF, NPTF and ODF inlet with ODM outlet

Specifications

- Maximum fluid temperature: 250°F
- Maximum working pressure: 680 psig
- MOPD: 275 psi
- UL/CUL file number: MP604

NOTE: Valves require a DM coil for AC applications or MM (MAGMAX) coil for DC applications.

NOTE: Mounting enclosing tube more than 90° off vertical up position is not recommended.

Nomenclature Example: 500RB 4T3VLC

500RB	4	T	3	VLC
Series	Port Size	Connection Type	Connection Size	Coil
	(In 1/16")	F=SAE P=NPTF S=Short Solder T=Copper Extended Ends	(In 1/8")	Value Less Coil

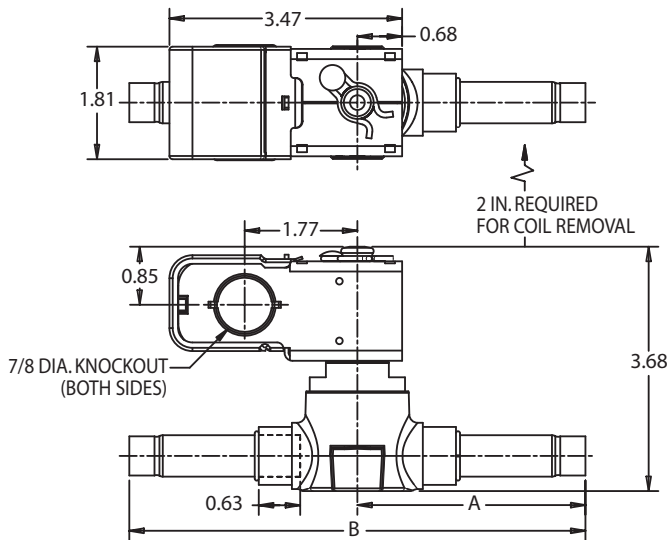
Valves are shipped without the solenoid coils. See coil assemblies for availability.

Ordering Information and Nominal* Liquid Capacity Table—Tons (kW)

Model	Connection Size	PCN	R-22	R-134a	R-290	R-404A R-507	R-407C	R-410A	R-448A R-449A	R-450A R-513A
500RB 2F2VLC	1/4 SAE	063274	3.6 (12.7)	2.7 (9.6)	3.8 (13.4)	2.3 (8.2)	3.4 (11.9)	3.4 (11.9)	3.6 (12.7)	2.5 (8.7)
500RB 2T2VLC	1/4 ODF	063278								
500RB 2T3VLC	3/8 ODF	063280								
500RB 3F4VLC	1/2 SAE	063286	4.8 (16.9)	3.6 (12.7)	5.0 (17.6)	3.1 (10.9)	4.5 (15.9)	4.5 (15.8)	4.8 (17.0)	3.3 (11.6)
500RB 3T3VLC	3/8 ODF	063290								
500RB 3T4VLC	1/2 ODF	063292								
500RB 4F3VLC	3/8 SAE	063294	8.0 (28.0)	6.0 (21.1)	8.3 (29.2)	5.1 (18.0)	7.5 (26.3)	7.5 (26.4)	8.0 (28.1)	5.5 (19.3)
500RB 4P3VLC	3/8 NPTF	063298								
500RB 4S4VLC	1/2 ODF x 5/8 ODM	063302								
500RB 4T2VLC	1/4 ODF	063304	8.2 (21.8)	6.2 (21.8)	8.6 (30.1)	5.3 (18.6)	7.7 (27.2)	7.7 (26.4)	8.3 (29.0)	5.7 (19.9)
500RB 4T3VLC	3/8 ODF	063306								
500RB 4T4VLC	1/2 ODF	063308								
500RB 4T5VLC	5/8 ODF	063310	9.5 (33.3)	7.2 (25.2)	9.9 (34.7)	6.1 (21.5)	8.9 (31.4)	8.9 (31.3)	9.5 (33.5)	6.5 (23.0)
500RB 5F4VLC	1/2 SAE	063312								
500RB 5F5VLC	5/8 SAE	063314								
500RB 5P3VLC	3/8 NPTF	063316	17.0 (59.8)	12.7 (44.6)	-	11.1 (39.0)	16.2 (57.0)	15.7 (55.2)	17.1 (60.0)	11.7 (41.2)
500RB 5S4VLC	1/2 ODF x 5/8 ODM	063318								
500RB 5S5VLC	5/8 ODF	063320								
500RB 5T3 VLC	3/8 ODF	063322	9.5 (33.3)	7.2 (25.2)	9.9 (34.7)	6.1 (21.5)	8.9 (31.4)	8.9 (31.3)	9.5 (33.5)	6.5 (23.0)
500RB 5T4VLC	1/2 ODF	063323								
500RB 5T5VLC	5/8 ODF	063325								
500RB 6F5VLC	5/8 SAE	063329	17.0 (59.8)	12.7 (44.6)	-	11.1 (39.0)	16.2 (57.0)	15.7 (55.2)	17.1 (60.0)	11.7 (41.2)
500RB 6P3VLC	3/8 NPTF	063331								
500RB 6S4VLC	1/2 ODF x 5/8 ODM	063333								
500RB 6S5VLC	5/8 ODF	063335	9.5 (33.3)	7.2 (25.2)	9.9 (34.7)	6.1 (21.5)	8.9 (31.4)	8.9 (31.3)	9.5 (33.5)	6.5 (23.0)
500RB 6T3VLC	3/8 ODF	063337								
500RB 6T4VLC	1/2 ODF	063339								
500RB 7S5VLC	5/8 ODF x 7/8 ODM	064038	17.0 (59.8)	12.7 (44.6)	-	11.1 (39.0)	16.2 (57.0)	15.7 (55.2)	17.1 (60.0)	11.7 (41.2)
500RB 7T4VLC	1/2 ODF	064064								

Capacities based on 100°F liquid and 40°F saturated evaporator per ARI standard 760-87.
*See Extended Capacity Tables for ratings at a wide range of conditions.

Dimensional Data (in.)



NOTE: Drawing indicates copper extended ends.

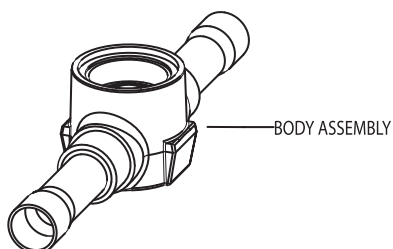
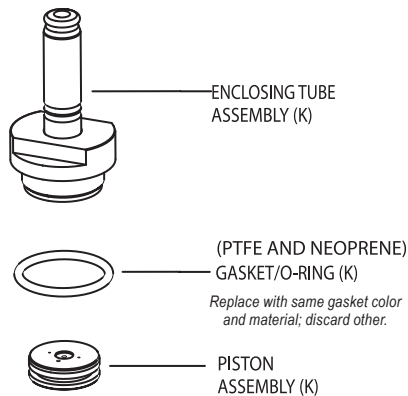
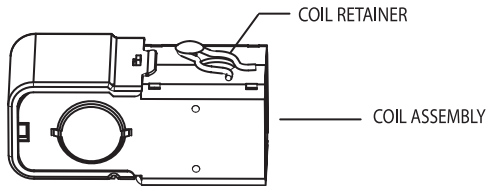
With Copper Extended Ends

Model	Port Size	Conn. Size & Style	A	B
500RB 2T2	1/8	1/4 ODF	2.42	4.67
500RB 2T3		3/8 ODF		
500RB 3T2	3/16	1/4 ODF	2.42	4.67
500RB 3T3		3/8 ODF		
500RB 3T4		1/2 ODF		
500RB 4T4	1/4	1/2 ODF	2.50	5.00
500RB 4T5		5/8 ODF	3.25	6.50
500RB 5T3	5/16	3/8 ODF	2.31	4.63
500RB 5T4		1/2 ODF	2.50	5.00
500RB 5T5		5/8 ODF	3.25	6.50
500RB 6T3	3/8	3/8 ODF	2.31	4.63
500RB 6T4		1/2 ODF	2.50	5.00

Without Copper Extended Ends

Model	Port Size	Conn. Size & Style	A	B
500RB 4P3	1/4	3/8 NPTF	-	2.37
500RB 4S4		1/2 ODF X 5/8 ODM	0.56	2.37
500RB 4F3		3/8 SAE (male flare)	-	3.12
500RB 5P3	5/16	3/8 NPTF	0.56	2.37
500RB 5S4		1/2 ODF X 5/8 ODM		2.37
500RB 5S5		5/8 ODF	2.37	
500RB 5F4		1/2 SAE (male flare)	3.50	
500RB 5F5		5/8 SAE (male flare)	-	3.75
500RB 6P3	3/8	3/8 NPTF	0.56	2.37
500RB 6S4		1/2 ODF X 5/8 ODM		2.37
500RB 6S5		5/8 ODF	2.37	
500RB 6F5		5/8 SAE (male flare)	-	3.75
500RB 7S5	7/16	5/8 ODF X 7/8 ODM	0.63	2.98

Exploded View & Repair Kit Data



Valve Repair Kits

Valve	Complete Kit	PCN	Gasket Kit	PCN
500RB 2-6	KS-30353	064268	KG-10025	049190
500RB 7	KS-30355	064264	KG-10025	049190

Valve Repair Kit

"K" indicates part is supplied with complete Valve Kit.

Gasket Kit

Contains 12 pieces—each of PTFE and Neoprene O-rings gaskets

Coil Assembly

Valves compatible with DM coil for AC applications or MM (MAGMAX) coil for DC applications. No other DC coil may be used.