

# 70 Series™ thermostat submittal sheet

Job Name \_\_\_\_\_ Location \_\_\_\_\_ Date \_\_\_\_\_

Purchaser \_\_\_\_\_ Installer \_\_\_\_\_

Submitted To \_\_\_\_\_ For  RNC  R&R  Commercial



1F75H-21NP  
1F75H-21PR

**ELECTRICAL RATING**

Hardwire: 20 to 30 VAC  
NEC Class II, 50/60 Hz

**SETPOINT RANGE**

45° F to 99° F (7° C to 37° C)

**ACCESSORIES**

Wallplate: F61-2663 (6-3/4" x 4-1/2")  
Thermostat Guard: F29-0198

**RATED DIFFERENTIALS (@ 6° F / HR)**

|                           | Fast   | Med     | Slow   |
|---------------------------|--------|---------|--------|
| Heat (Conventional/Elect) | 0.5° F | 0.75° F | 1.9° F |
| Cool (Central Air)        | 0.9° F | 1.2° F  | 1.7° F |
| Heat Pump (Heat and Cool) | 0.9° F | 1.2° F  | 1.7° F |

**OPERATING AMBIENT**

32° F to +105° F  
(0° C to +41° C)

**OPERATING HUMIDITY**

90% non-condensing max

**SHIPPING TEMPERATURE**

-20° F to +150° F  
(-29° C to +65° C)

**TERMINAL LOAD**

Staging Models 1.5 A per terminal  
2.5 A per maximum all terminals combined

**THERMOSTAT DIMENSIONS**

3-3/4"H x 6"W x 1-1/8"D

**TERMINAL DESIGNATIONS**

- R** Power (24V)
- G** Fan Relay
- C** Common wire for 24V (optional with batteries)
- O/B** Changeover Terminal-Energized in Cool (O) or Heat (B) for Heat Pump or Damper Systems
- E** Auxiliary only Heat Mode (Emergency Heat)
- W2** Heat Mode - 2nd stage
- Y** Heat and Cool Mode 1st Stage Compressor

| Model      | Program Options         |       |           |         | Max Stages Heat/Cool |                  |              | Applications |      |         |          |                   | Power Source | Selectable Performance Features |         |                 |                 |                  |                         |                    | Comfort & Convenience Features         |                   |               |                        |                 |                |                           |
|------------|-------------------------|-------|-----------|---------|----------------------|------------------|--------------|--------------|------|---------|----------|-------------------|--------------|---------------------------------|---------|-----------------|-----------------|------------------|-------------------------|--------------------|--|-------------------|---------------|------------------------|-----------------|----------------|---------------------------|
|            | Periods Per Day Options | 7 Day | 5+1+1 Day | 5+2 Day | Programmable         | Non-Programmable | Conventional | Heat Pump    | PTAC | Gas/Oil | Electric | 3 Wire Zone Valve |              | Millivolt                       | Battery | Hardwired (24V) | Auto Changeover | Programmable Fan | EMR/Early Start Program | Temperature Limits | Humidity Control (H) Humid (D) Dehumid | Dual Fuel Control | Remote Sensor | Filter Change Reminder | Auto DST Adjust | Keypad Lockout | Cont. Backlight w/ Common |
| 1F75P-21NP |                         |       |           |         | ✓                    |                  | 1/1          | 1/1          |      | ✓       | ✓        |                   | ✓            | ✓                               | ✓       |                 |                 |                  | ✓                       |                    |  |                   |               |                        | ✓               | ✓              | ✓                         |
| 1F75P-21PR | ✓                       | ✓     |           |         | ✓                    |                  | 1/1          | 1/1          |      | ✓       | ✓        |                   | ✓            | ✓                               | ✓       |                 |                 |                  | ✓                       |                    |  |                   |               |                        | ✓               | ✓              | ✓                         |

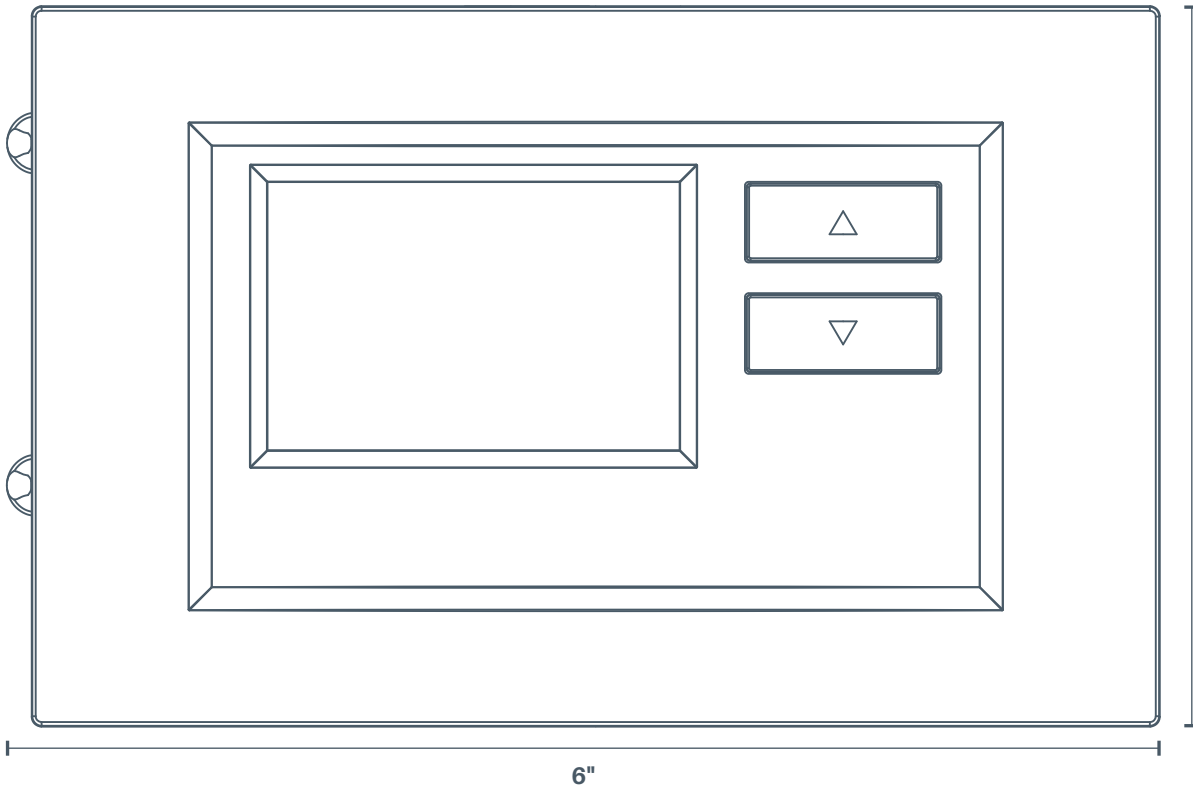
1F75H-21NP

1F75H-21PR

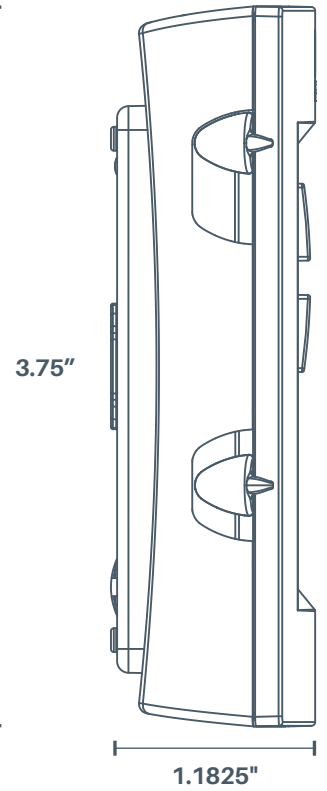
# Dimensions

IMAGES ARE TO SCALE

Thermostat front



Thermostat side  
(with backplate)



Thermostat backplate

